



HIGH END SYSTEMS
an **ETC** Company

SolaFrame 2000



Part Number	Fixture Name	Color	Packaging
H7010027	SolaFrame 2000	Black	Road Case
<i>By Request</i>	SolaFrame 2000	White	Road Case

[Gobo Information](#)

[Fixture Accessories](#)

[PCB Information](#)

[Fixture Drawings](#)

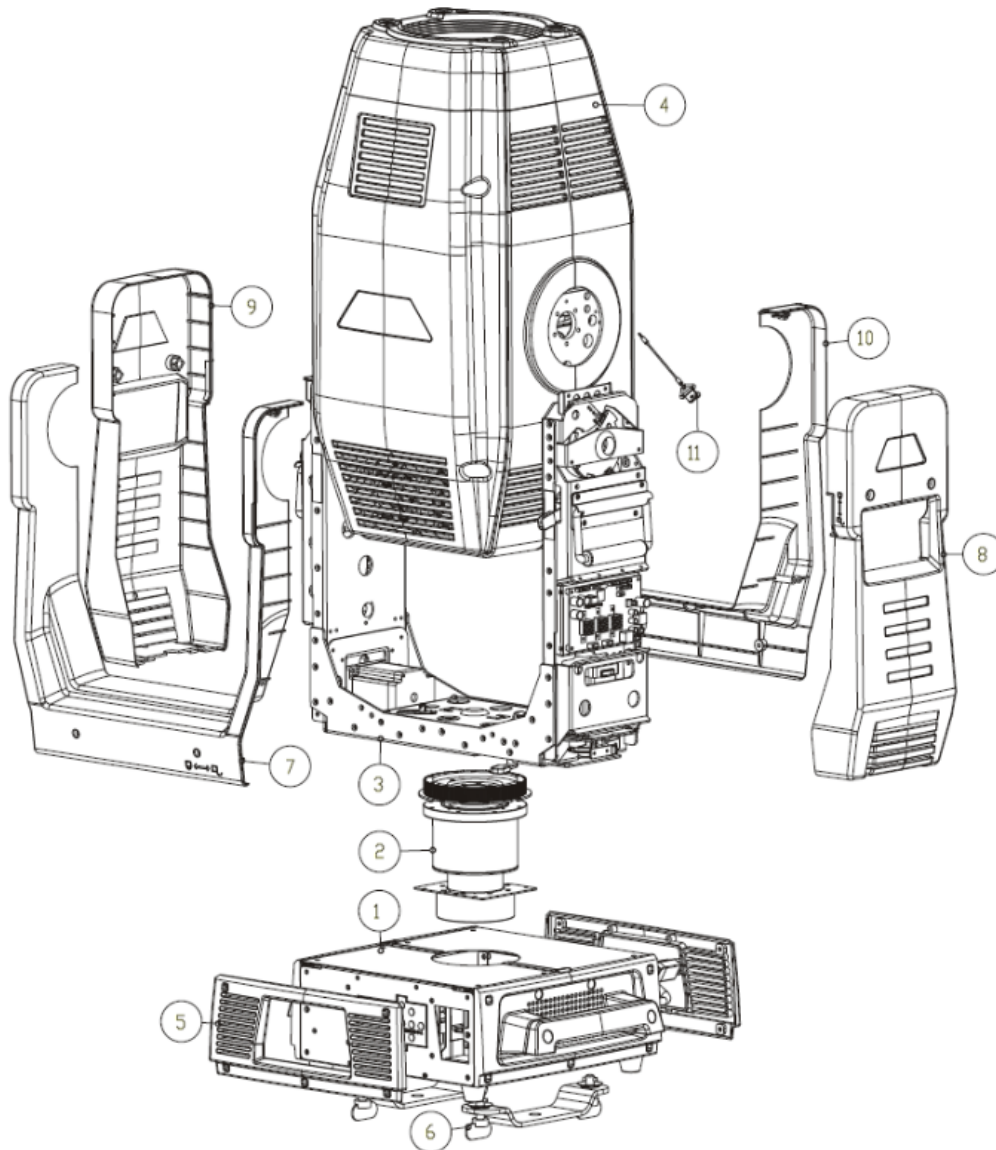
[HES Main Parts List](#)

[Recommended Spares List](#)

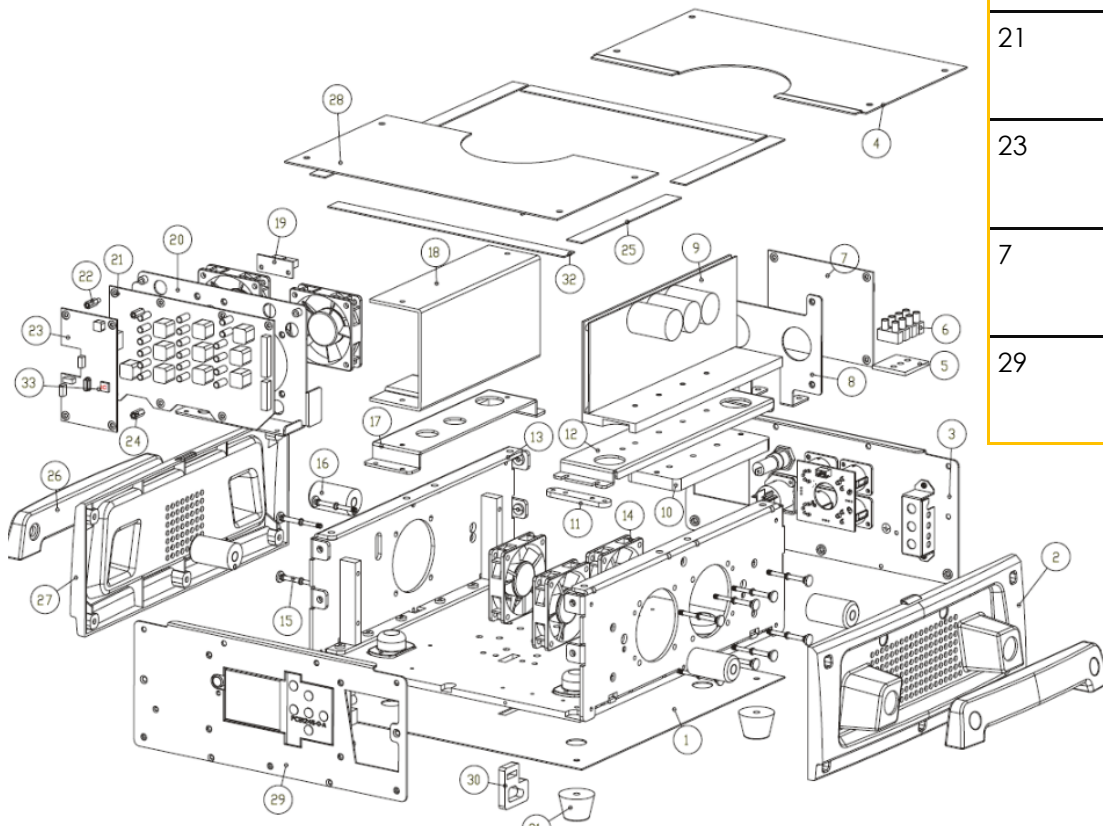
[DMX Protocol](#)

[Main Page](#)

[Technical Data Sheet](#)

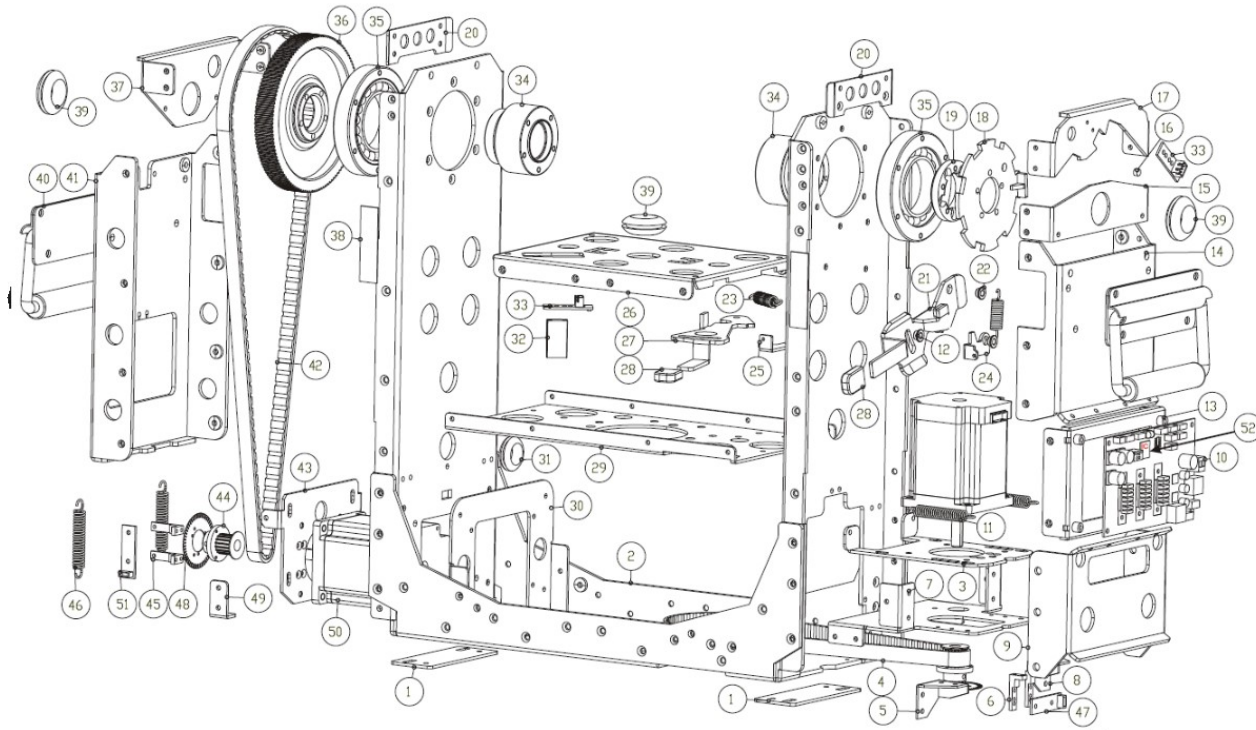


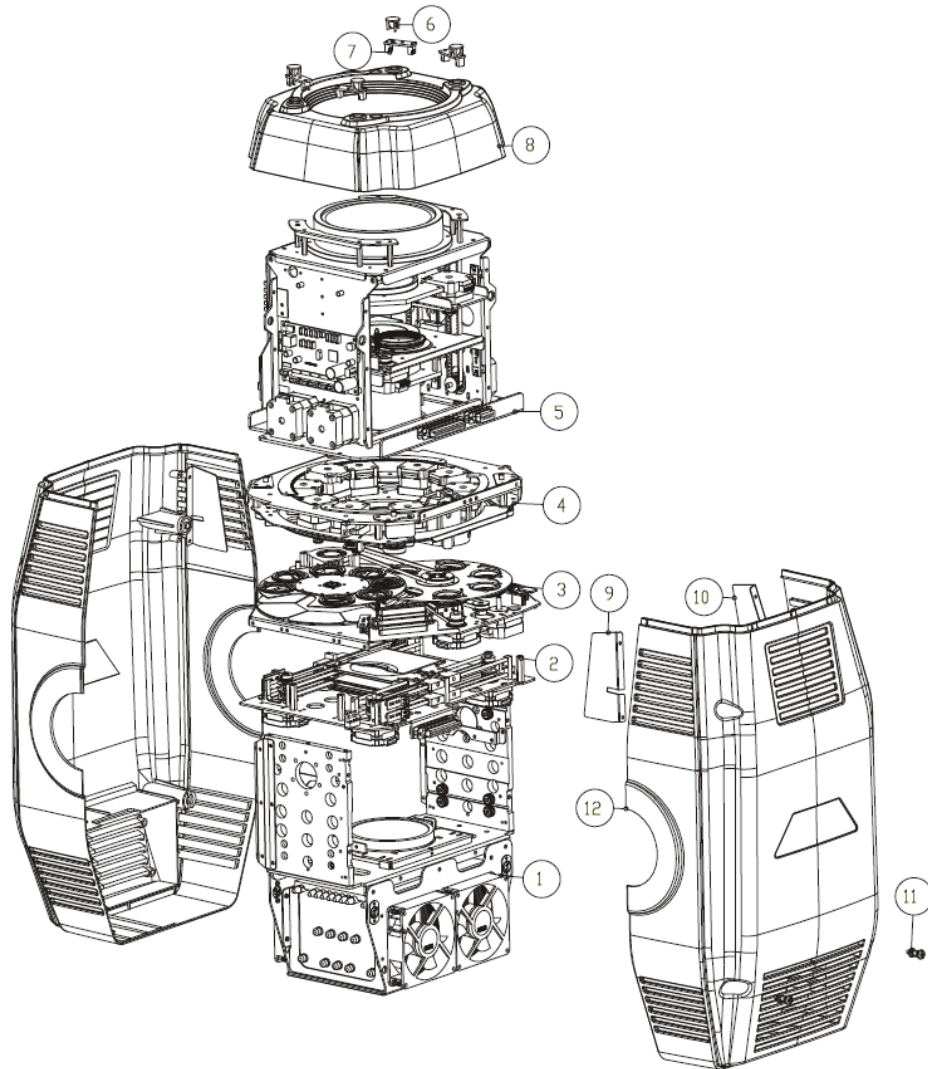
Reference Number	Fixture	HES Description	HES Part Number
4	SolaFrame 2000	Cover Head	H7270006
5	SolaFrame 2000	Cover Base Front/ Rear	H7090004
6	SolaFrame 2000	Truss Mount Brackets	H7150008
7	SolaFrame 2000	Cover Yoke Front, Lock Side	H7150002
8	SolaFrame 2000	Cover Yoke Arm, Lock Side	H7150007
9	SolaFrame 2000	Cover Yoke Arm	H7150003
10	SolaFrame 2000	Cover Yoke Rear	H7150006



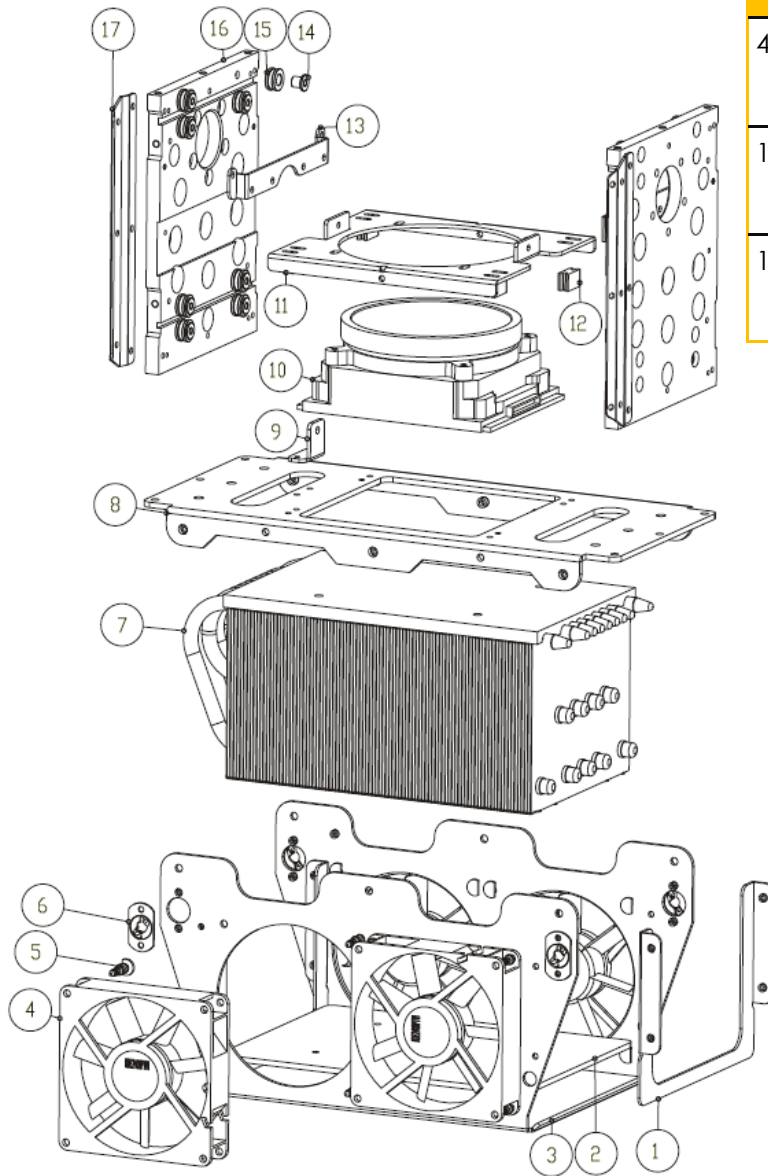
Reference Number	Fixture	HES Description	HES Part Number
9	SolaFrame 2000	Power Supply Motor (28V DC Output)	H7150015
18	SolaFrame 2000	Power Supply LED (28V DC Output)	H7150013
21	SolaFrame 2000	PCB LED Power Distribution	H7150011
23	SolaFrame 2000	PCB LED Control 7U	H7270012
7	SolaFrame 2000	PCB LED CONTROL REAR PCB1269-0-C	H7170088
29	SolaFrame 2000	PCB DISPLAY ASSEMBLY	H7270004

Reference Number	Fixture	HES Description	HES Part Number
10	SolaFrame 2000	PCB Pan, Tilt	H7270005
21	SolaFrame 2000	Tilt Lock	H7170077
27	SolaFrame 2000	Pan Lock	H7140018
33	SolaFrame 2000	Pan/Tilt Homing Sensor	H7300094
47	SolaFrame 2000	Pan Encoder Sensor	H7300102
51	SolaFrame 2000	Tilt Encoder Sensor	H7300102
	SolaFrame 2000	Yoke Assembly	H7270042

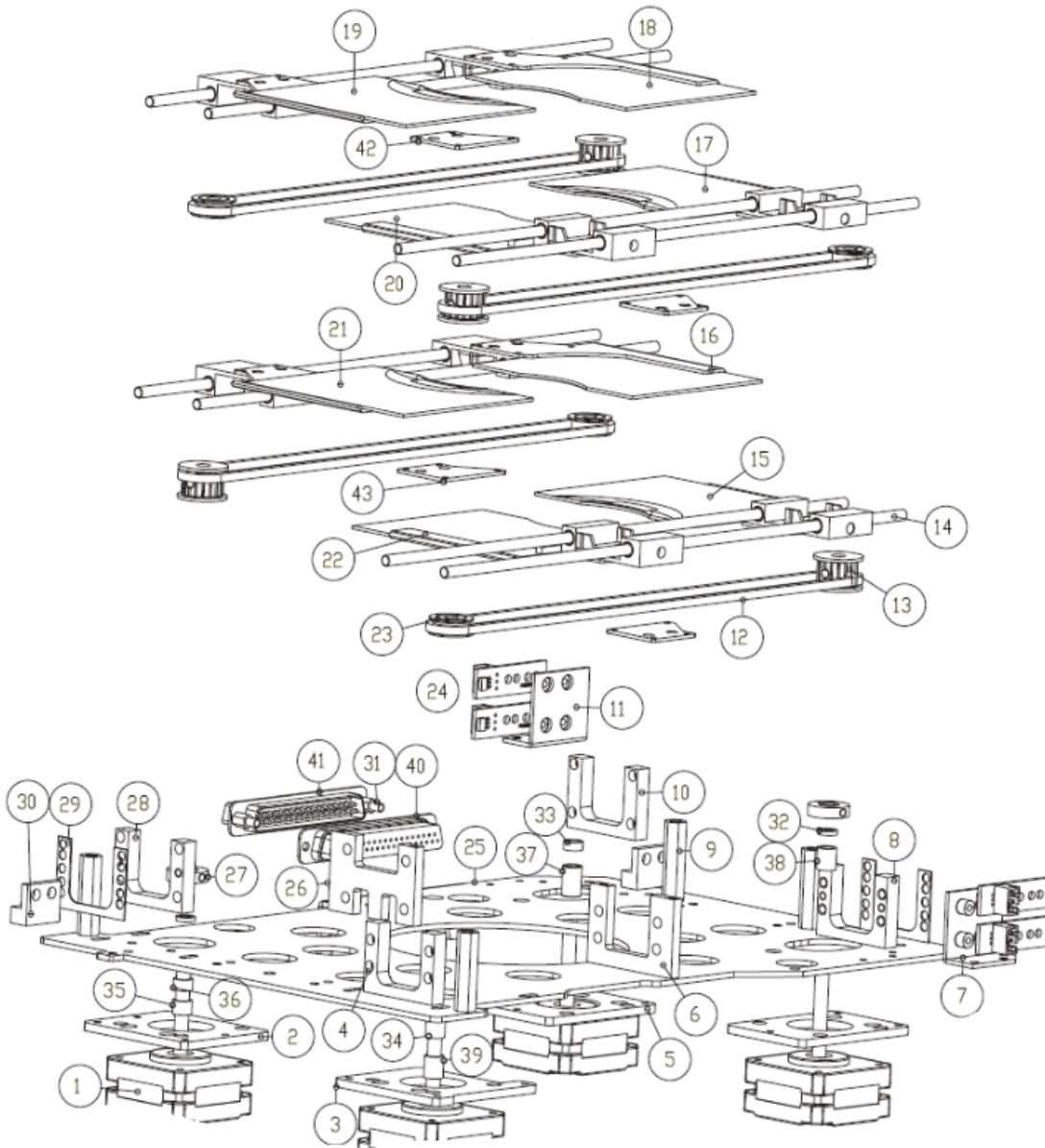




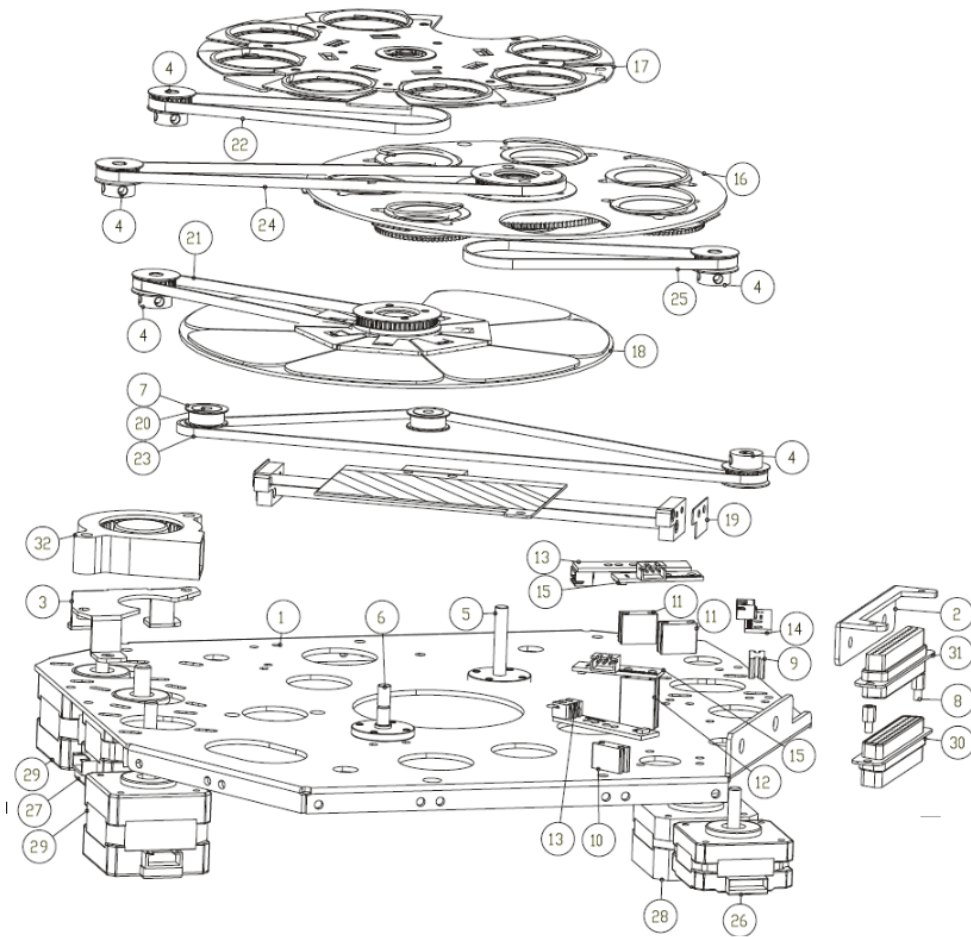
Reference Number	Fixture	HES Description	HES Part Number
2	SolaFrame 2000	Module, CMY Color Mixing	H7270010
3	SolaFrame 2000	Module, Gobo & Color Wheel	H7270009
4	SolaFrame 2000	Module Framing & Iris	H7270008
5	SolaFrame 2000	Module Zoom/ Focus	H7270007
8	SolaFrame 2000	Front Cover	H7170004
12	SolaFrame 2000	Head Cover	H7270006



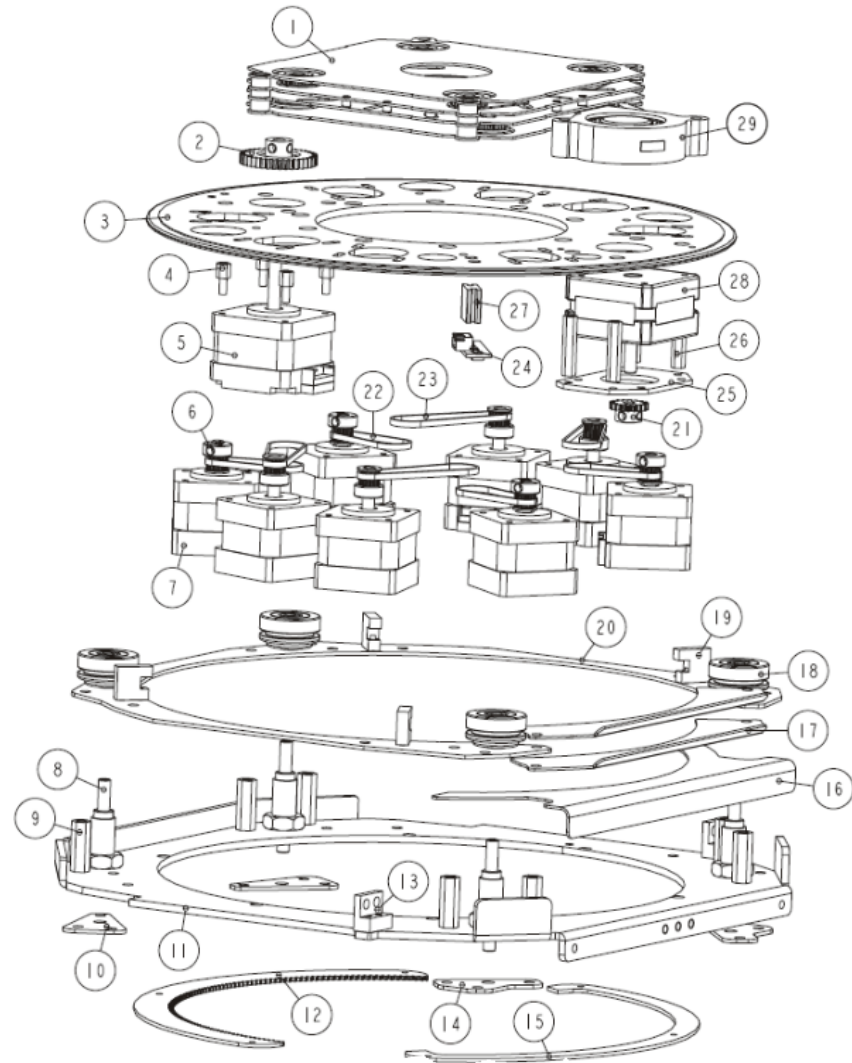
Reference Number	Fixture	HES Description	HES Part Number
4	SolaFrame 2000	Fan Head LED	H7150034
10	SolaFrame 2000	LED Light Engine	H7150036
10	SolaFrame 2000	LED Light Engine HCRI	H7200070



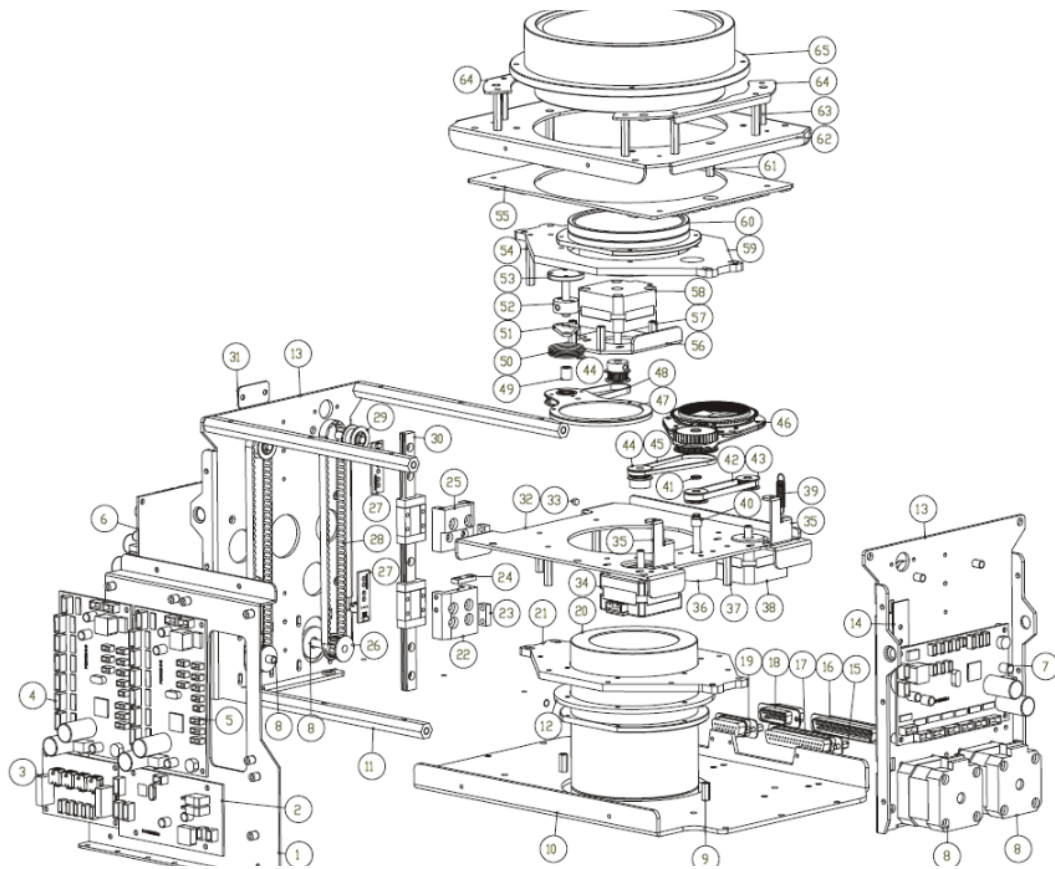
Ref. No.	HES Description	HES Part Number
7	Sensor Color Mix	H7300094
24	Sensor Color Mix	H7300094
15	Magenta Flag Bottom	H7170041
16	Cyan Flag Bottom with magnet	H7170034
17	Yellow Flag Bottom with magnet	H7170035
18	CTO Flag Bottom	H7170038
19	CTO Flag Top with magnet	H7170036
20	Yellow Flag Top	H7170040
21	Cyan Flag Top	H7170033
22	Magenta Flag Top with magnet	H7170032



Reference Number	Fixture	HES Description	HES Part Number
13	SolaFrame 2000	Sensor	H7300164
15	SolaFrame 2000	Sensor	H7300117
16	SolaFrame 2000	Rotating Gobo Wheel- With Gobos	H7140024
16	SolaFrame 2000	Rotating Gobo Wheel- Without Gobos	H7140025
17	SolaFrame 2000	Static Gobo Wheel- With Gobos	H7140023
17	SolaFrame 2000	Static Gobo Wheel- Without Gobos	H7140026
18	SolaFrame 2000	Wheel Color	H7140050
	SolaFrame 2000	Flag Animation	H7270052



Reference Number	Fixture	HES Description	HES Part Number
1	SolaFrame 2000	Framing/Iris Assembly	H7310048
24	SolaFrame 2000	Sensor	H7300093



Reference Number	Fixture	HES Description	HES Part Number
2	SolaFrame 2000	PCB Indigo High-lighter	H7270016
3	SolaFrame 2000	PCB Distribution	H7270017
4	SolaFrame 2000	PCB Prism, Frost, Focus, Zoom 4U	H7270015
5	SolaFrame 2000	PCB Animation, Color, Gobo 1, Gobo 2, Gobo Rotate 5U	H7270014
6	SolaFrame 2000	PCB Blades 1-3, Framing Rotate 6U	H7270013
7	SolaFrame 2000	PCB Color Mix, CTO, Blade 4, Iris 3U	H7270003
27	SolaFrame 2000	Sensor Zoom	H7280075
46	SolaFrame 2000	Prism Assembly	H7270055
47	SolaFrame 2000	Frost Assembly	H7170063
60	SolaFrame 2000	Focus Lens	H7300162
20	SolaFrame 2000	Zoom Lens	H7300159



SOLAFRAME 2000 RECOMMENDED SPARES			
BASED ON 20 FIXTURES			
	PART NUMBER	DESCRIPTION	QUANTITY
	H7150020	FUSE 15A 250V 6x32 SLOW BLOW CERAMIC	1
	H7150036	LIGHT ENGINE	1
	H7270014	PCB ANIMATION COLOR IRIS	1
	H7270003	PCB COLOR MIX CTO PRISM	1
	H7270004	PCB DISPLAY ASSEMBLY	1
	H7270015	PCB GOBO	1
	H7270016	PCB INDIGO HIGHLIGHTER	1
	H7270012	PCB LED CONTROL	1
	H7270005	PCB PAN TILT	1
	H7270013	PCB ZOOM FOCUS PRISM	1
	H7150013	POWER SUPPLY LED	1
	H7150015	POWER SUPPLY MOTOR	1
	H7300117	SENSOR ANIMATION WHEEL METAL	1
	H7310062	SENSOR COLOR MIX	1
	H7300094	SENSOR COLOR WHEEL, ROTATING GOBO WHEEL, FOCUS, ZOOM, PAN/TILT HOMING	1
	H7300093	SENSOR FRAMING ROTATE, STATIC GOBO, GOBO ROTATE	1
	H7300102	SENSOR PAN, TILT ENCODER	1

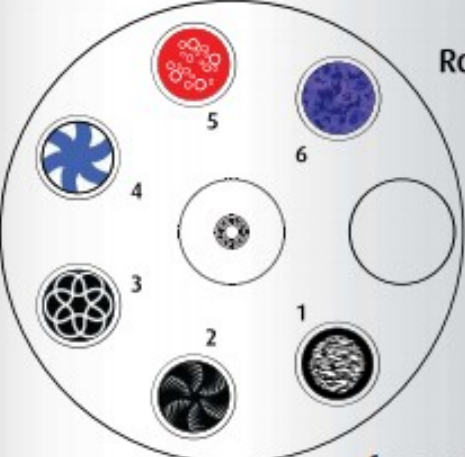


SolaFrame 2000 PCB Identifiers

PCB Software ID	Controls	Location in Fixture
1U	Display	Base, behind front panel
2U	Pan, Tilt	Yoke Arm, lock Side
3U	CMY, CTO, Iris, Blade 4	Head, side
4U	Focus, Zoom, Frost, Prism	Head, non-lock side
5U	CMY, CTO, Color Wheel, Animation, Gobo 1, Gobo 2, Gobo 1 & 2 Rotate	Head, non-lock side
6U	Blade 4, IriBlades 1-3, Framing Rotation, Frost 2	Head, side
7U	LED Control	Head, non-lock side
8U	Indigo Highlighter	Head, non-lock side



SolaFrame 2000 Miscellaneous Parts



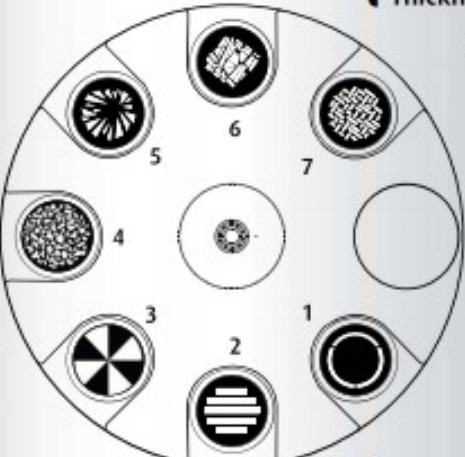
Rotating Gobo Wheel
6 + Open
Glass Lithos

1- Animation
2- Rip Wheel
3- Curved Lines
4- Technowedge
5- Rings
6- Psydye

Rotating Gobo Dimensions ∅

{

O.D.- 30mm (1.18 in)
Image Area- 25mm (.98 in)
Thickness- 0.7mm - 1.1mm



Fixed Gobo Wheel
7 + Open
Metal GOBO's

1- Tunnel
2- Bars
3- Fan
4- Breakup
5- Burst
6- Fracture
7- Crosshatch

Fixed Gobo Dimensions ∅

{

O.D.- 34mm (1.34 in)
Image Area- 28mm (1.10 in)
Thickness- 0.5mm - 0.7mm

Gobo Description	HES Part Number
1- Animation	H7270020
2- Rip Wheel	H7270023
3- Curved Lines	H7270022
4- Technowedge	H7270021
5- Rings	H7270019
6- Psydye	H7270024

Gobo Description	HES Part Number
1- Tunnel	H7270033
2- Bars	H7270025
3- Fan	H7270034
4- Breakup	H7270026
5- Fracture	H7270028
6- Crosshatch	H7270029

Accessories

Model #	Description
67040010	Mini-Claw
67040007	Mega-Claw
55040014	Cheeseborough Two Alloy 1/2 Couple Truss Clamp

Uploader	H7000000
-----------------	----------



***Technowedge gobo contains homing magnet and must be placed back in same position in order to Home properly.*

Gobo Holder	HES Part Number
Static Wheel	H7900102
Rotating Wheel	H7900063