



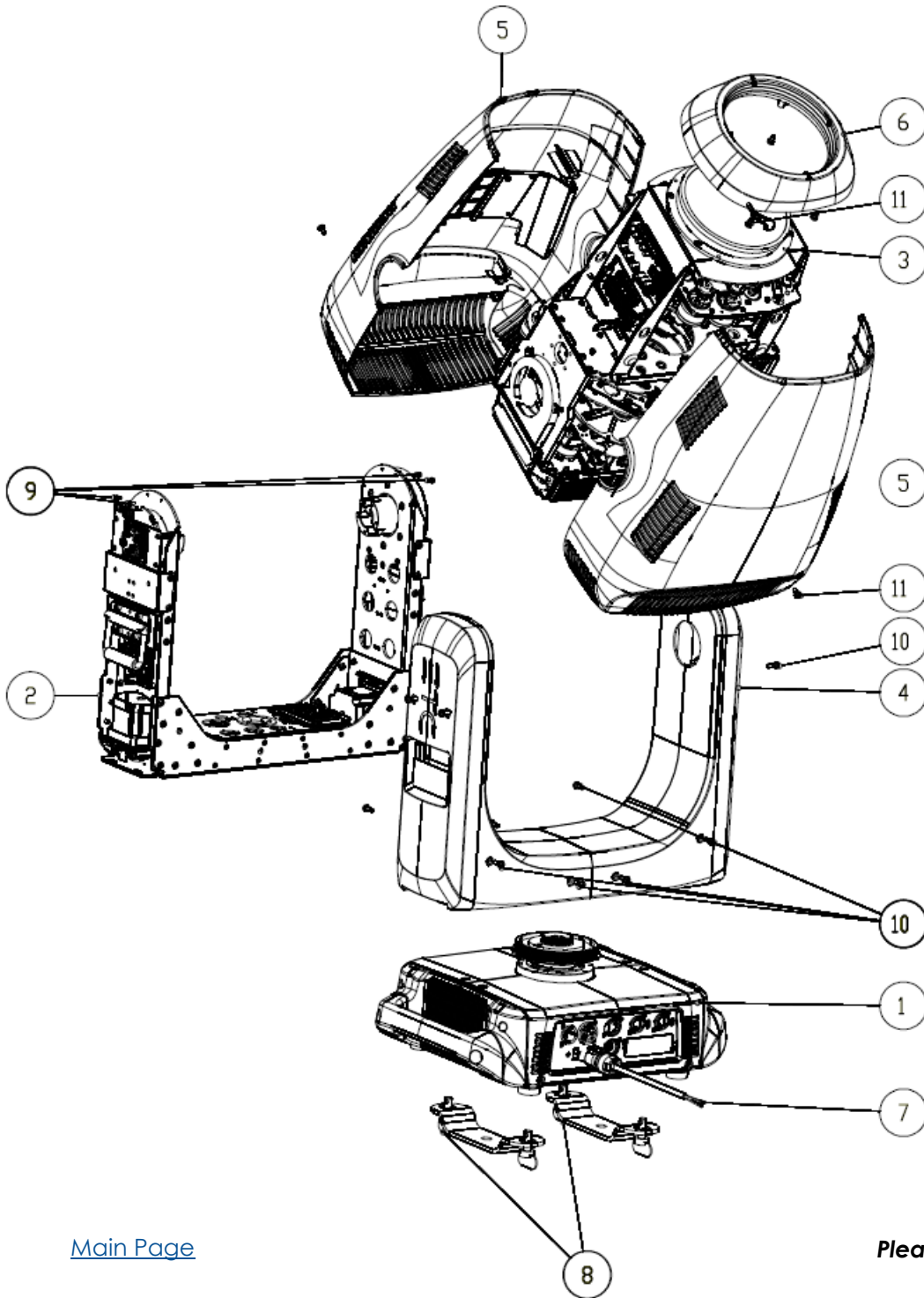
HIGH END SYSTEMS
an **ETC.** Company

Halcyon Titanium



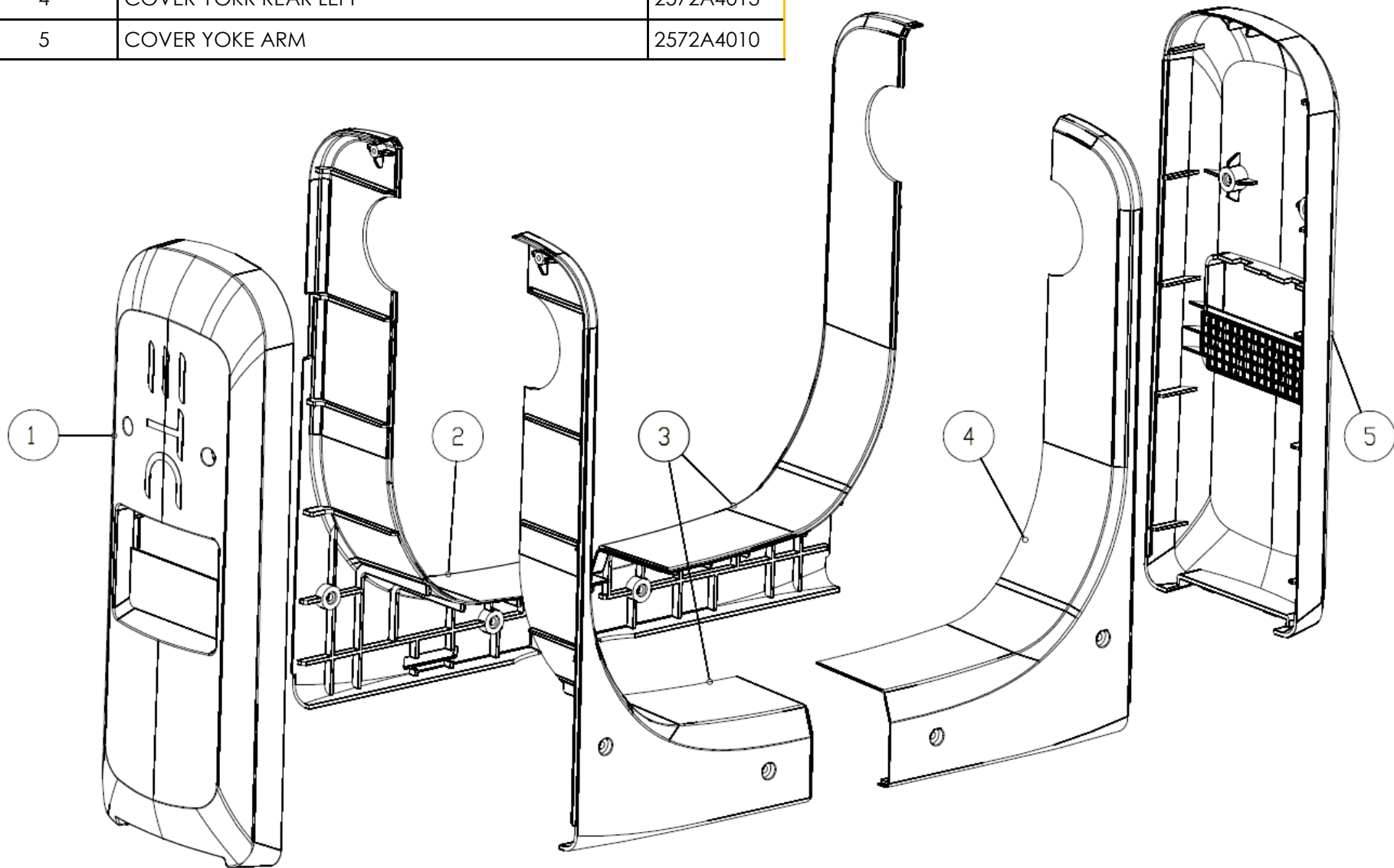
Part Number	Fixture Name	Color	Light Engine
2572A1200-B	Halcyon Titanium	Black	Ultra Bright
2572A1201-B	Halcyon Titanium	Black	HI Fidelity

[Main Page](#)



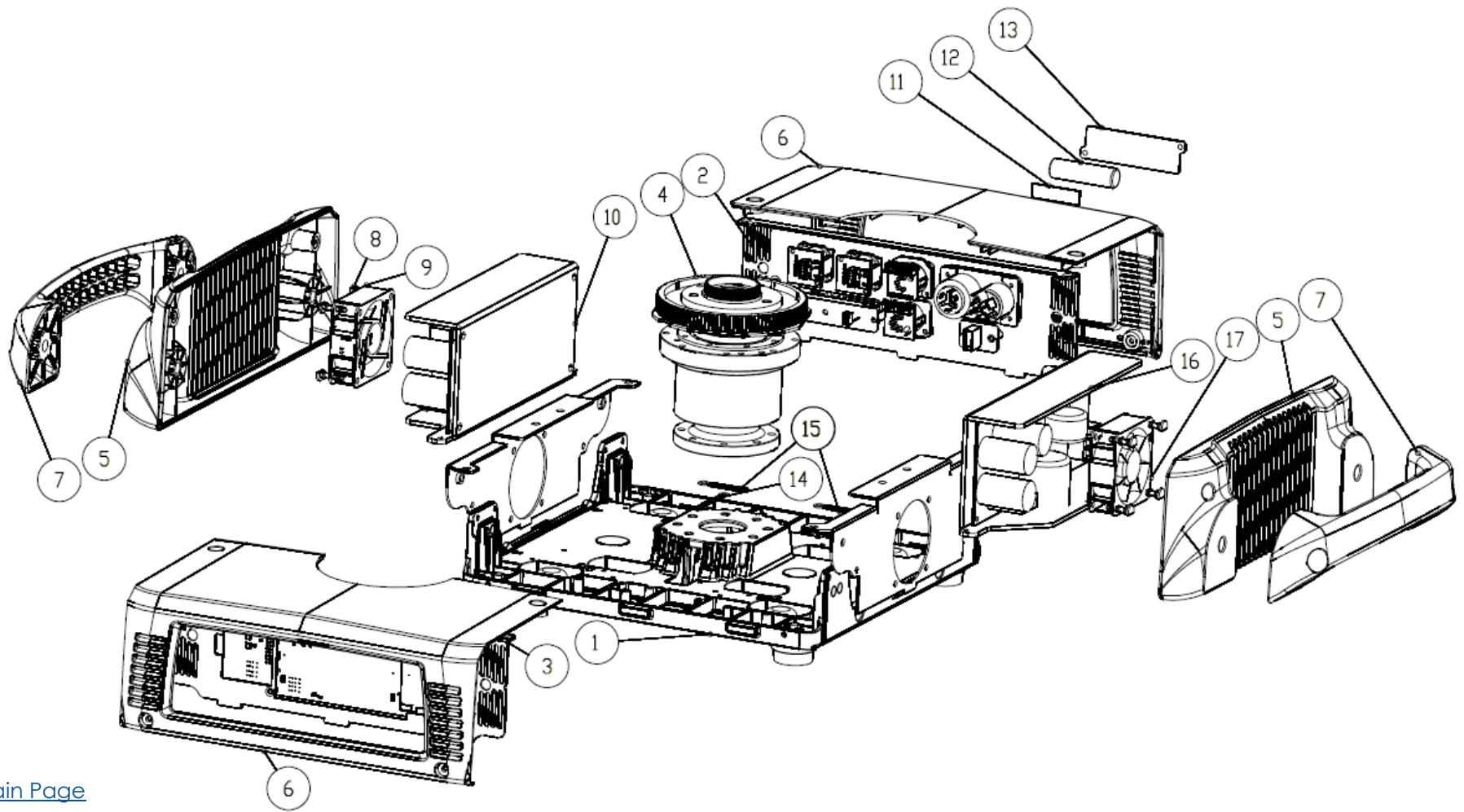
Ref. No.	HES Description	HES Part Number
2	YOKE ASSEMBLY	2572A2027
5	COVER HEAD	2572A4008
6	COVER HEAD FRONT	2572A4007
7	POWER CORD	2582B7001
8	TRUSS MOUNT BRACKET	H7150008
8	TRUSS MOUNT BRACKET	2599A2001

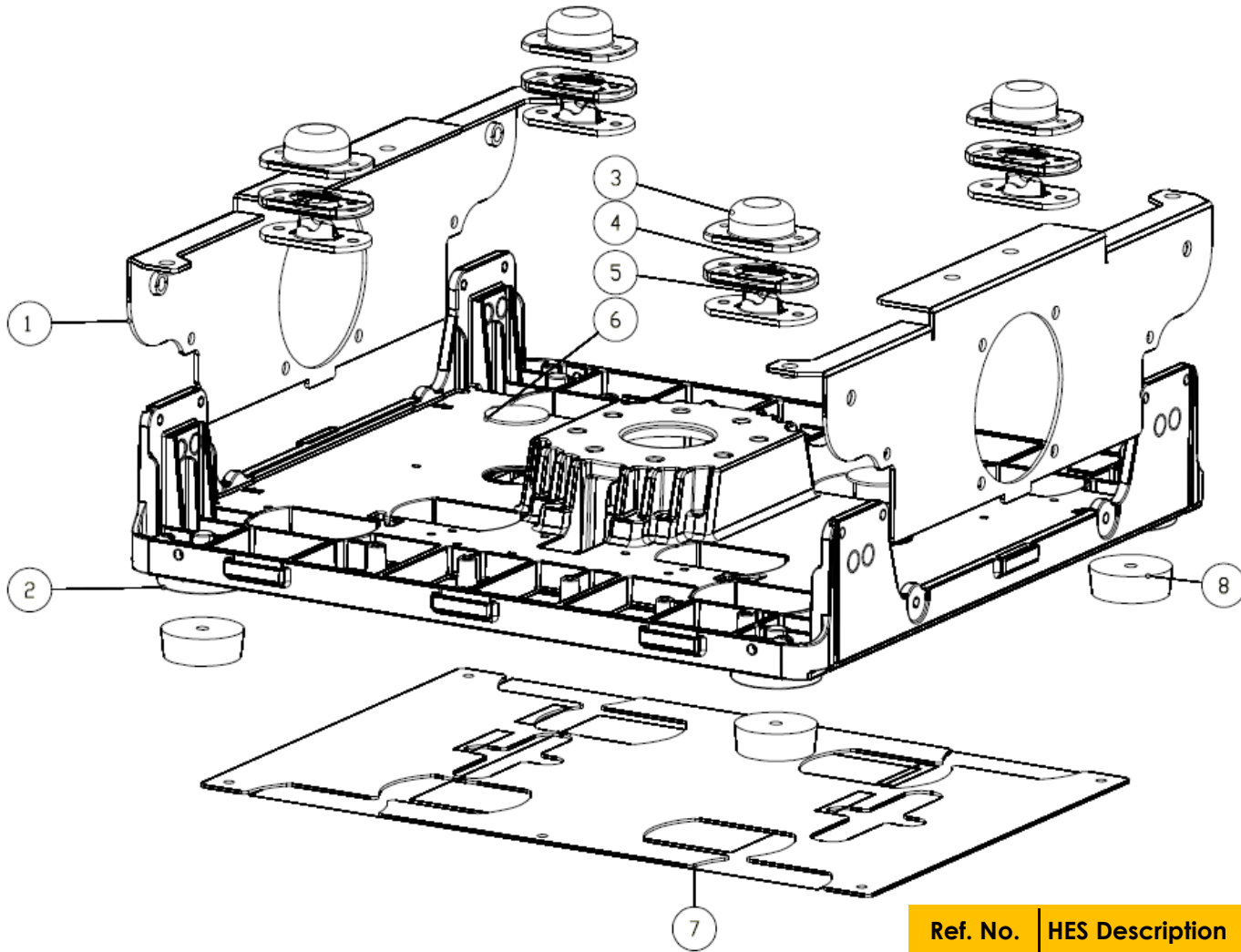
Reference Number	HES Description	HES Part Number
1	COVER YOKE ARM LOCK SIDE	2572A4009
2	COVER YOKE FRONT RIGH	2572A4012
3	COVER YOKE FRONT LEFT REAR RIGHT	2572A4011
4	COVER YOKR REAR LEFT	2572A4013
5	COVER YOKE ARM	2572A4010



Reference Number	HES Description	HES Part Number
2	REAR PANEL ASSEMBLY	2572A2020
3	PCB DISPLAY ASSEMBLY 1U	2572B5601
4	PAN TUBE ASSEMBLY	2572A2019
5	COVER BASE SIDE	2562A4010
6	COVER BASE FRONT REAR	2572A4006
7	BASE HANDLE	2562A3001

Reference Number	HES Description	HES Part Number
9	FAN BASE 10CM	B1187
10	POWER SUPPLY INPUT	PS571
12	DISPLAY BATTERY 3.7V 700MAH	BT188
13	BATTERY COVER	BT189
16	POWER SUPPLY OUTPUT	PS572
17	FAN BASE 30CM	B1185

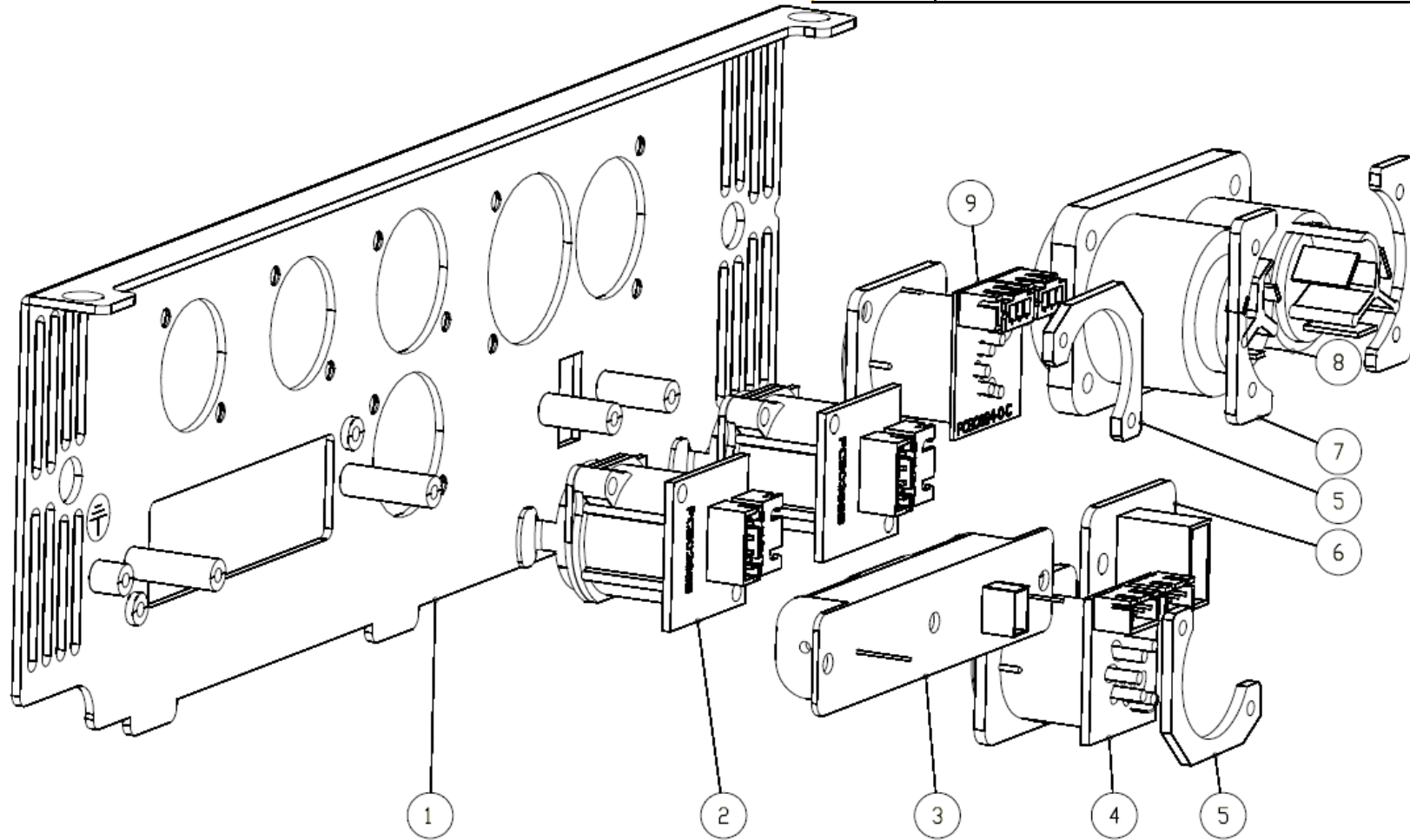




Ref. No.	HES Description	HES Part Number
3	RECEPTACLE COVER	2582A3004
4	RECEPTACLE SPACER	2582A3041
5	RECEPTACLE	2582A3019
6	SILICONE PAD	2572A3016
7	BASE PLATE COVER	2582A3002
8	RUBBER FOOT	HW60012

Reference Number	HES Description	HES Part Number
1	REAR PANEL	2572A3006
2	CAT5 CONNECTOR	N2055
3	BATTERY HOLDER	2582B5628
4	XLR MALE	2582B5626

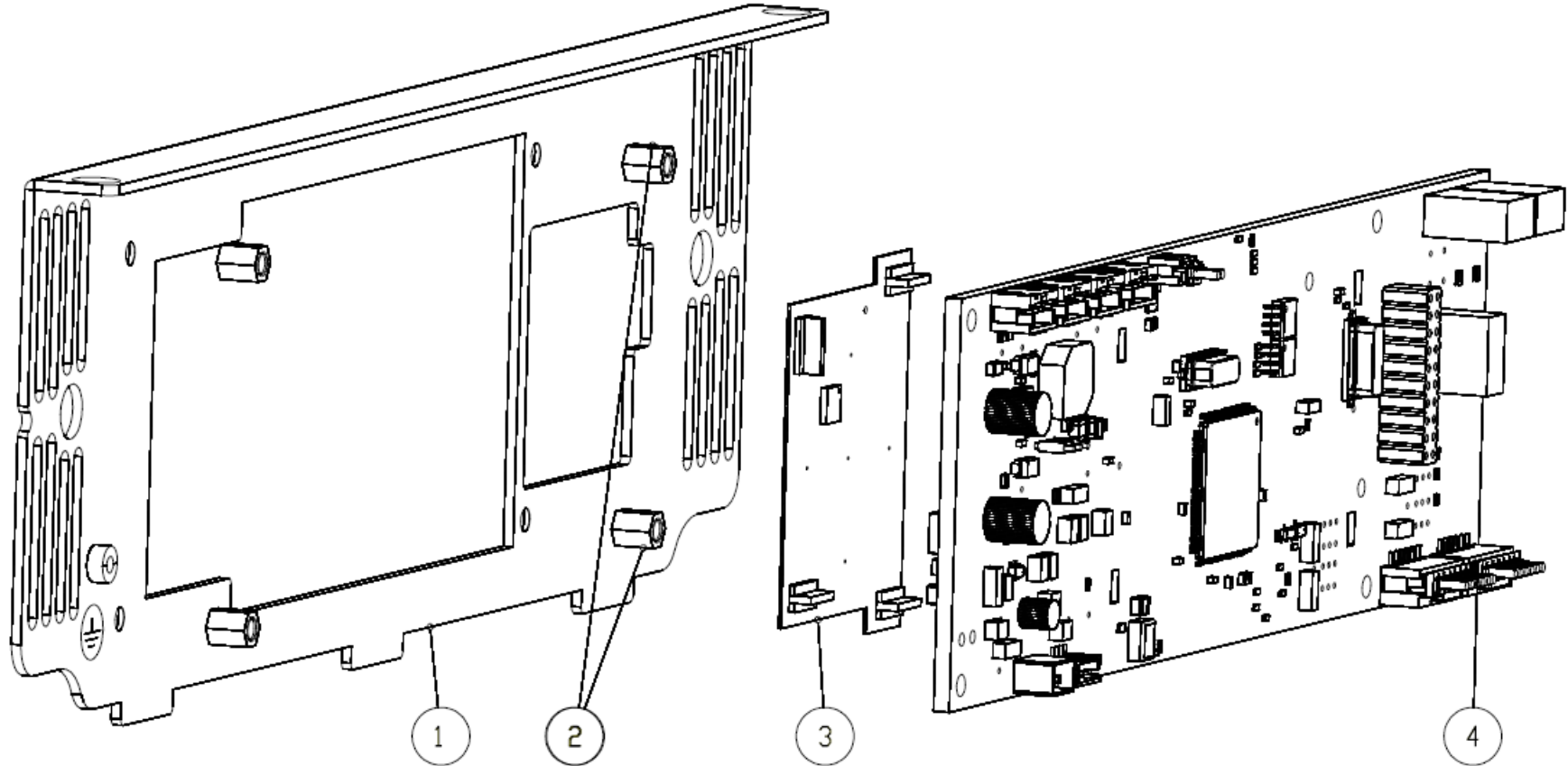
Reference Number	HES Description	HES Part Number
5	XLR MOUNT	2572A3015
6	USB PORT	2581B5015
7	TRU1 SOCKET PLATE	2572A3007
8	TRU1 SOCKET	J2556
9	XLR FEMALE	2582B5627



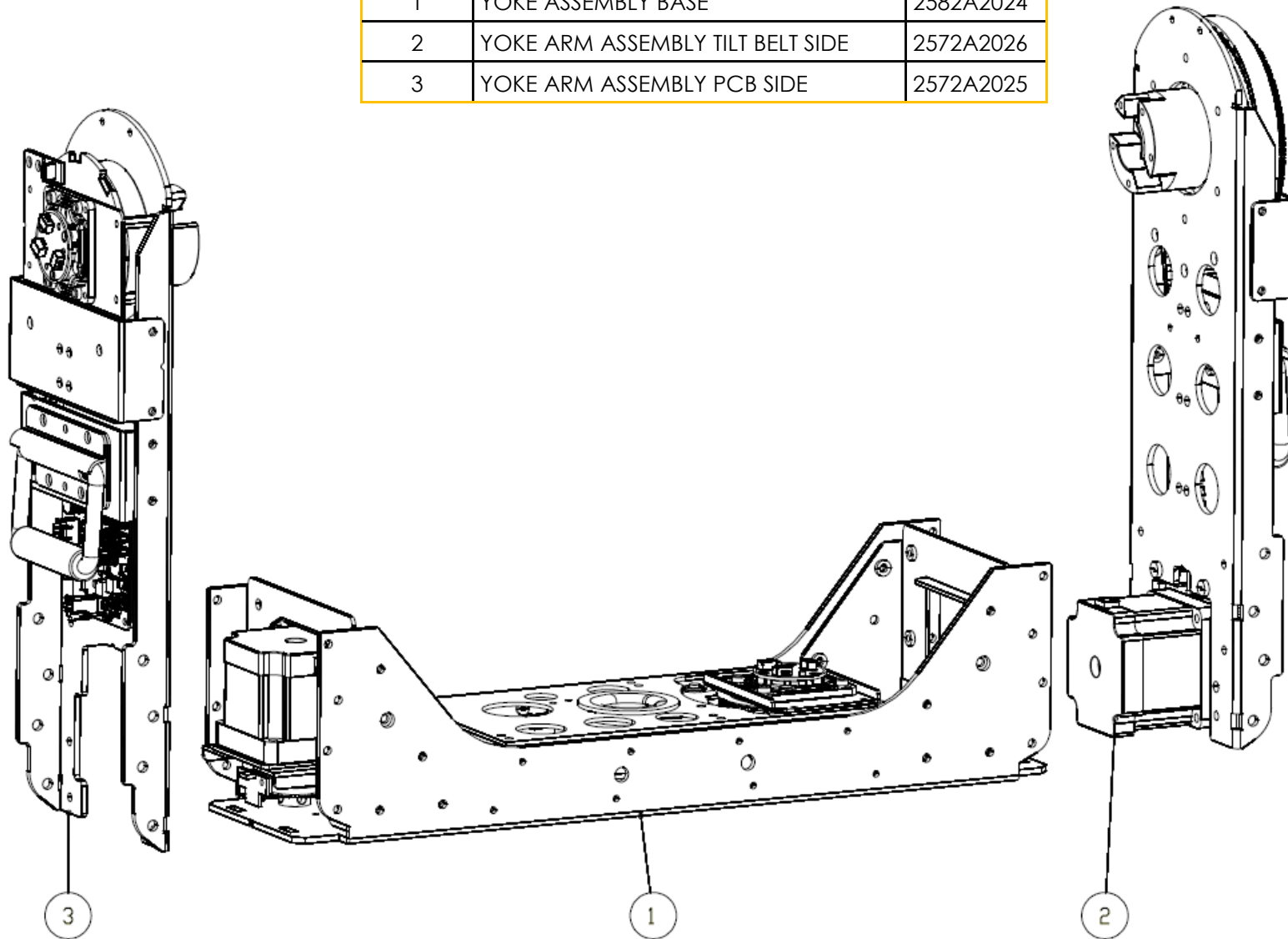
[Main Page](#)

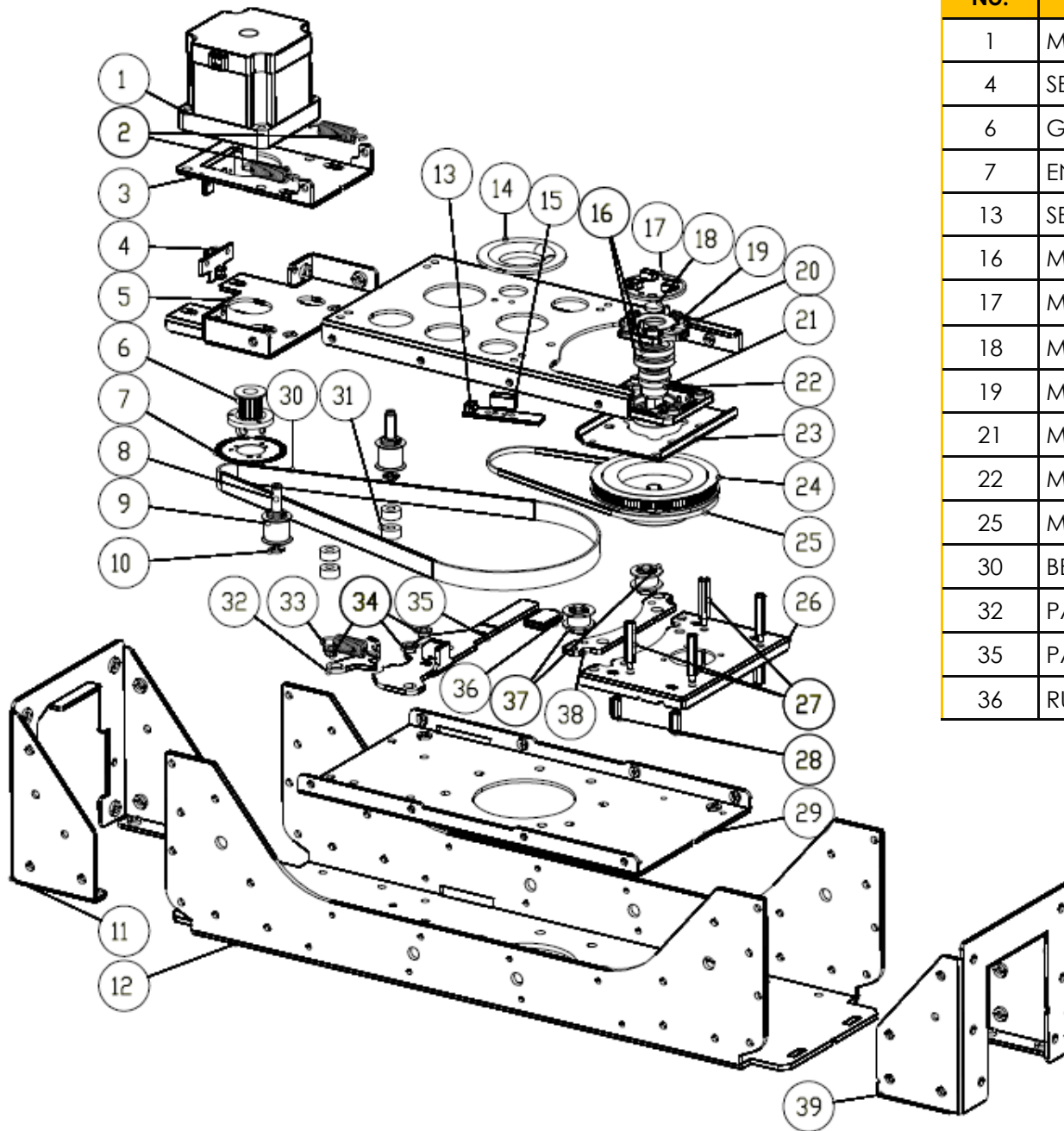
Please contact HES service for any part numbers that are not listed

Reference Number	HES Description	HES Part Number
1	FRONT PANEL PLATE	2572A3005
3	PCB BUTTON DISPLAY	2582B5624
4	PCB DISPLAY 1U	2572B5613



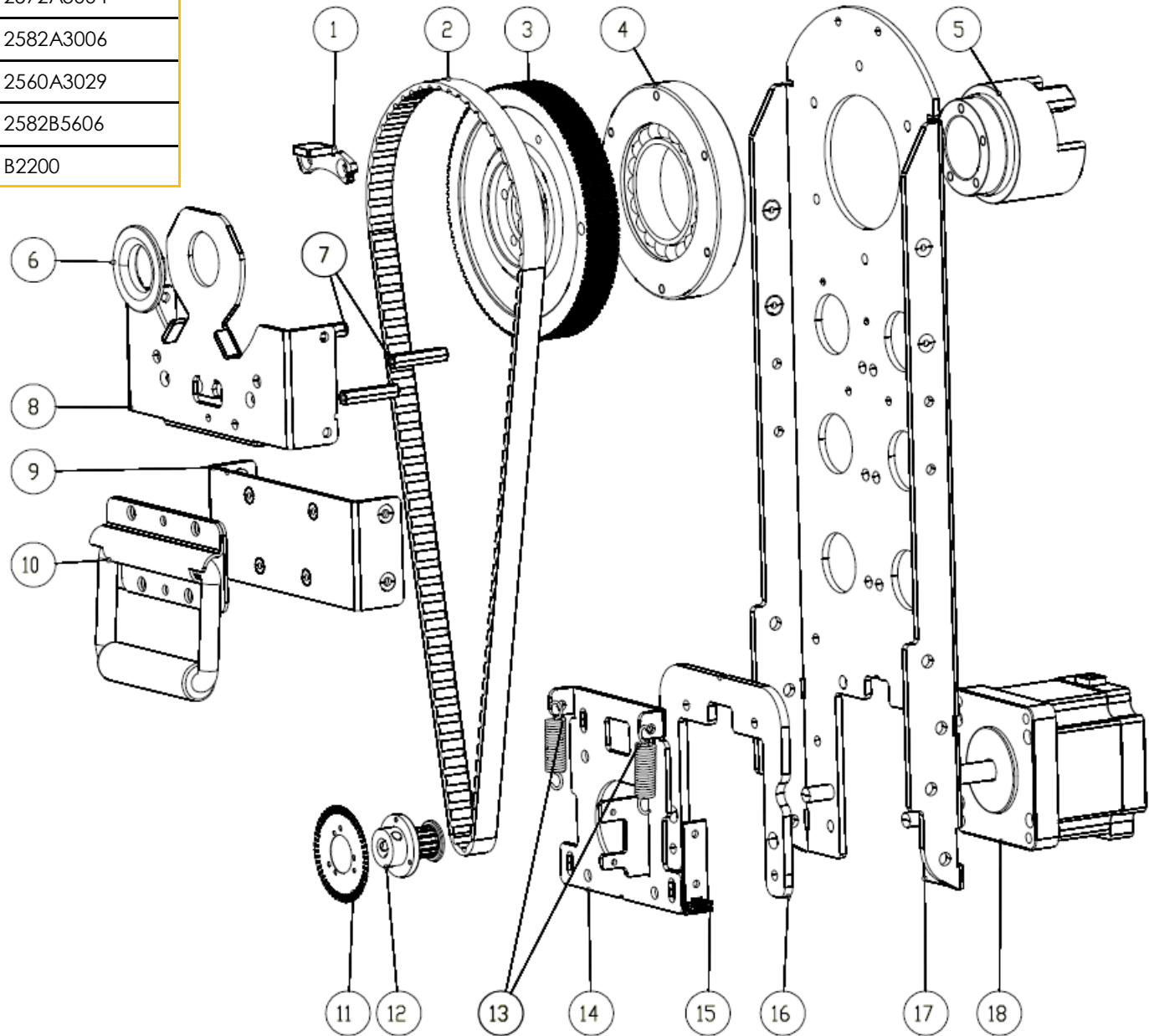
Reference Number	HES Description	HES Part Number
1	YOKE ASSEMBLY BASE	2582A2024
2	YOKE ARM ASSEMBLY TILT BELT SIDE	2572A2026
3	YOKE ARM ASSEMBLY PCB SIDE	2572A2025

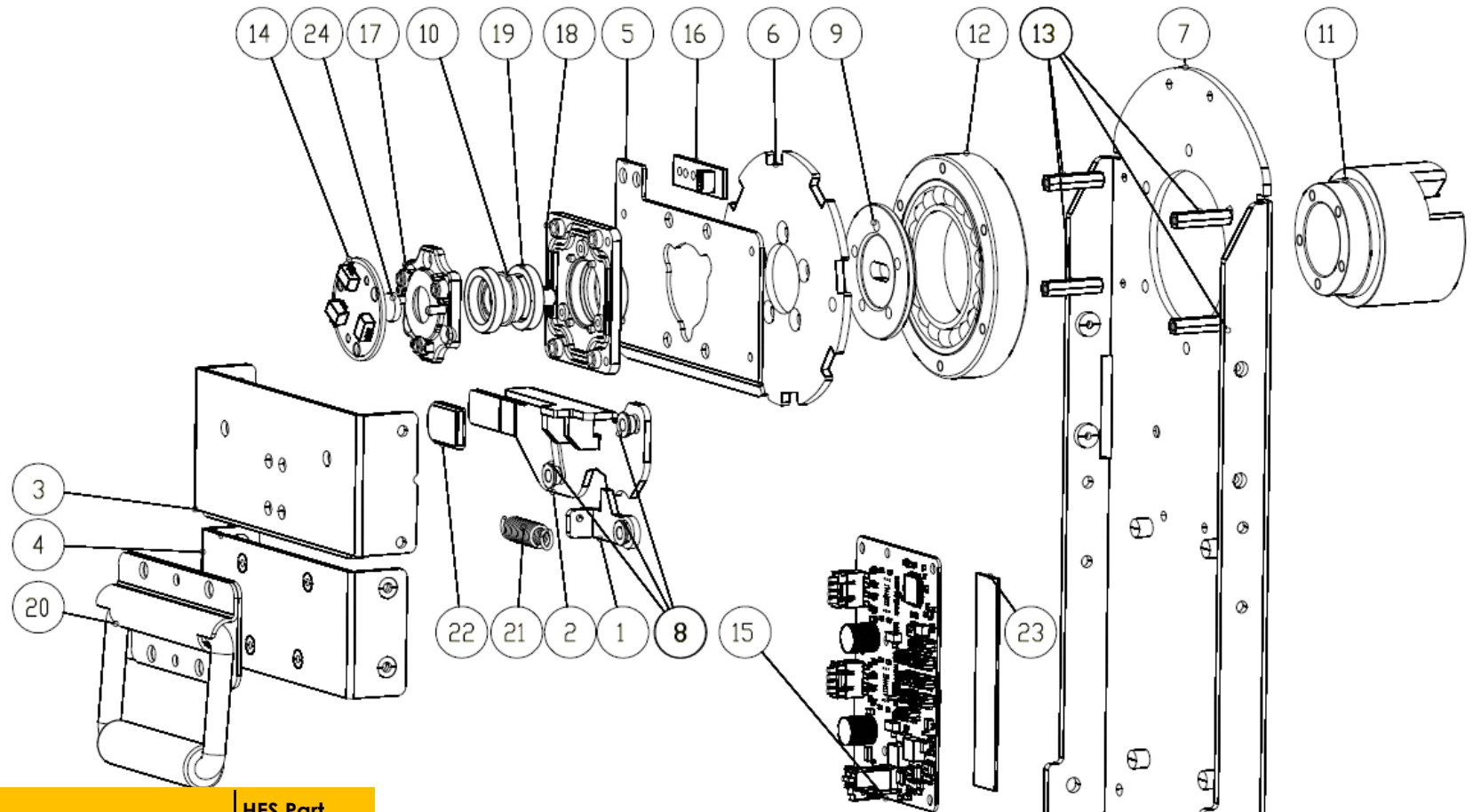




Ref. No.	HES Description	HES Part Number
1	MOTOR PAN	B2169
4	SENSOR PAN ENCODER	2582B5601
6	GEAR PINION PAN	2582A3027
7	ENCODER WHEEL	2582A3006
13	SENSOR PAN HOMING	2582B5605
16	MAGNETIC ENCODER BEARING	2582A3008
17	MAGNETIC ENCODER PCB	2582B5623
18	MAGNETIC ENCODER MAGNET	B3024
19	MAGNETIC ENCODER BASE BOX	2582A3007
21	MAGNETIC ENCODER ROTATING SHAFT	2582A3011
22	MAGNETIC ENCODER COVER	2582A3009
25	MAGNETIC ENCODER BELT	HWM9036
30	BELT PAN	HWM9029
32	PAN LOCK PLATE	2582A3015
35	PAN LOCK	2582A3016
36	RUBBER SLEEVE PAN LOCK	2582A3020

Ref. No.	HES Description	HES Part Number
2	BELT TILT	HWM9030
10	HANDLE YOKE	2572A3004
11	ENCODER WHEEL	2582A3006
12	GEAR PINION TILT	2560A3029
15	SENSOR TILT ENCODER	2582B5606
18	MOTOR TILT	B2200

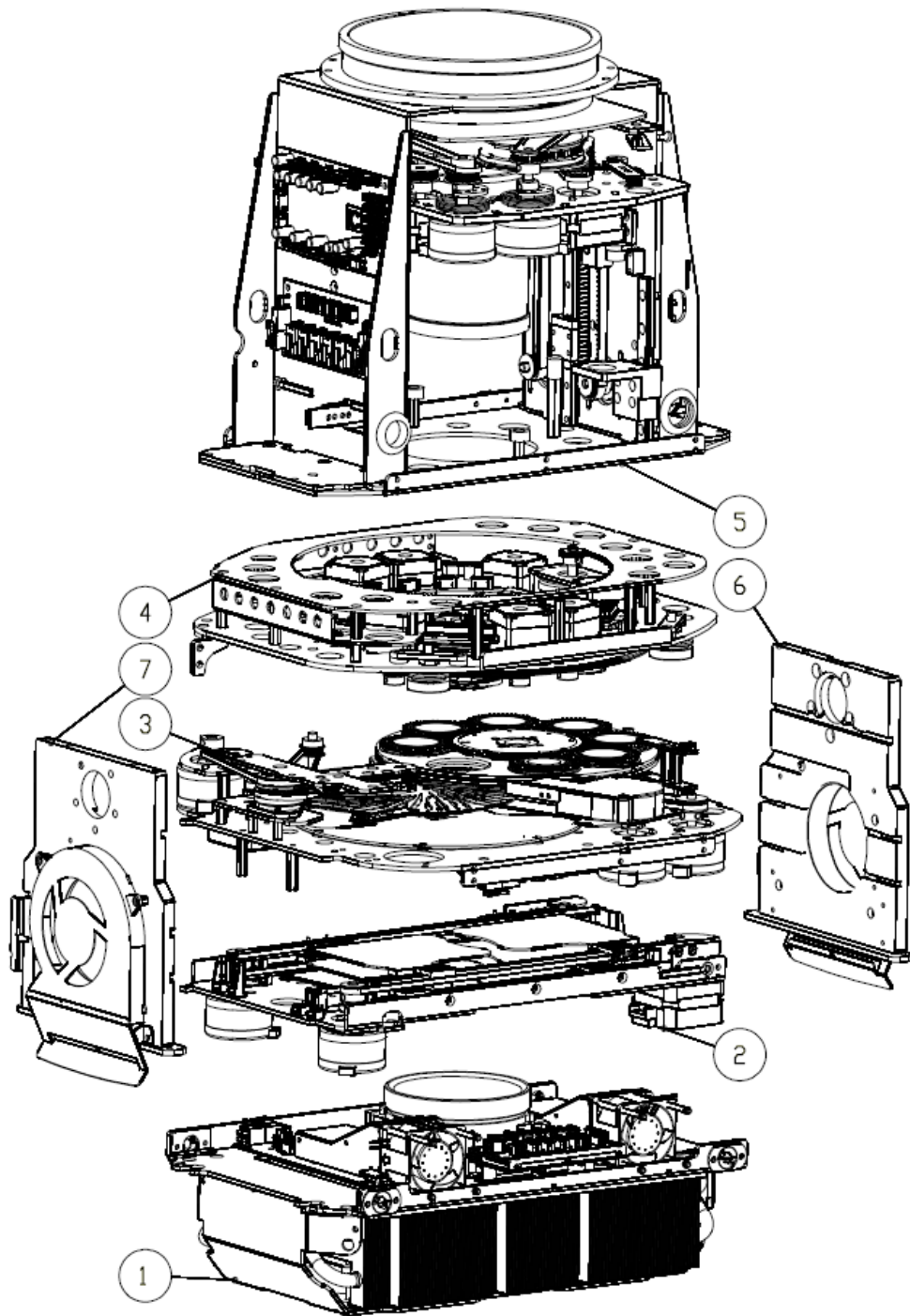




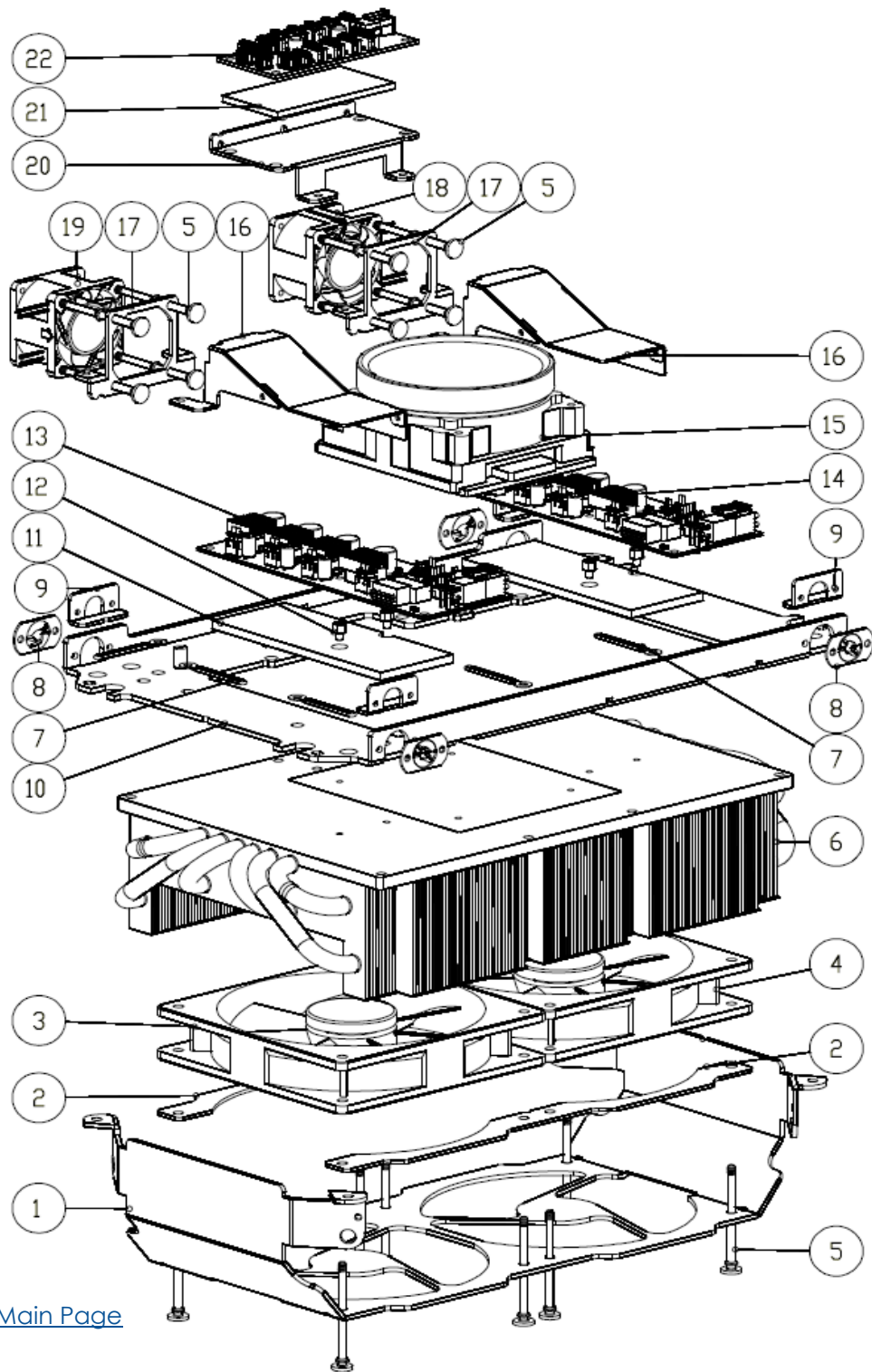
Ref. No.	HES Description	HES Part Number
1	TILT LOCK PLATE	2582A3015
2	TILT LOCK	2572A3012
6	TILT LOCK WHEEL	2572A3013
8	PAN LOCK BUSHING	H7140011
10	MAGNETIC ENCODER ROTATING SHAFT	2582A3011
14	MAGNETIC ENCODER PCB	2582B5623
15	PCB PAN TILT 2U	2572B5609

Ref. No.	HES Description	HES Part Number
16	SENSOR TILT HOMING	2582B5605
17	MAGNETIC ENCODER BASE BOX	2582A3007
18	MAGNETIC ENCODER COVER	2582A3009
19	MAGNETIC ENCODER BEARING	2582A3008
20	YOKE HANDLE	2572A3004
21	TILT LOCK SPRING	2582A3013
22	RUBBER SLEEVE	2582A3020
23	SILICONE PAD PAN TILT PCB	HW6984
24	MAGNETIC ENCODER MAGNET	B3024

[Main Page](#)



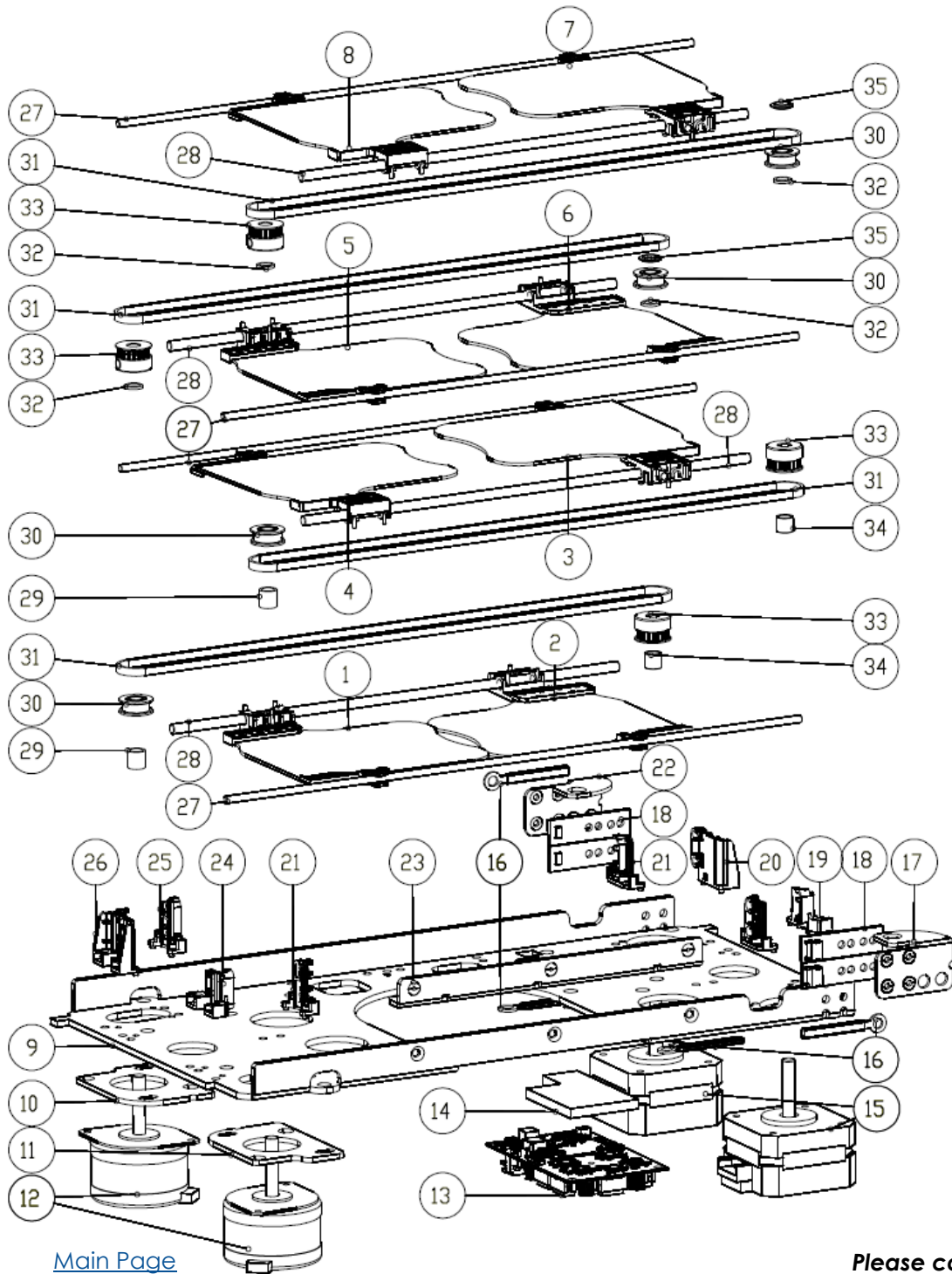
Reference Number	HES Description	HES Part Number
2	MODULE COLOR MIX	2572A2015
3	MODULE GOBO	2572A2018
4	MODULE FRAMING	2572A2017
5	MODULE FOCUS ZOOM	2572A2016



Reference Number	HES Description	HES Part Number
3	FAN LED 15CM	B1186
4	FAN LED 12CM	B1188
6	LED HEATSINK TITANIUM	2572A3003
11	SILICONE PAD LED DRIVER PCB	HW60024
13	PCB LED DRIVER	2572B5611
14	PCB LED DRIVER LJ2	2572B5605
15	LED LIGHT ENGINE ULTRA BRIGHT	2582B2001
15	LED LIGHT ENGINE HCRI	2572B2002
18	FAN LED DRIVER PCB 3JB6	2572B5620
19	FAN LED DRIVER PCB 3JB5	2572B5619
21	SILICON PAD LED CONTROL PCB	HW60016
22	PCB LED CONTROL 3U	2572B5610

[Main Page](#)

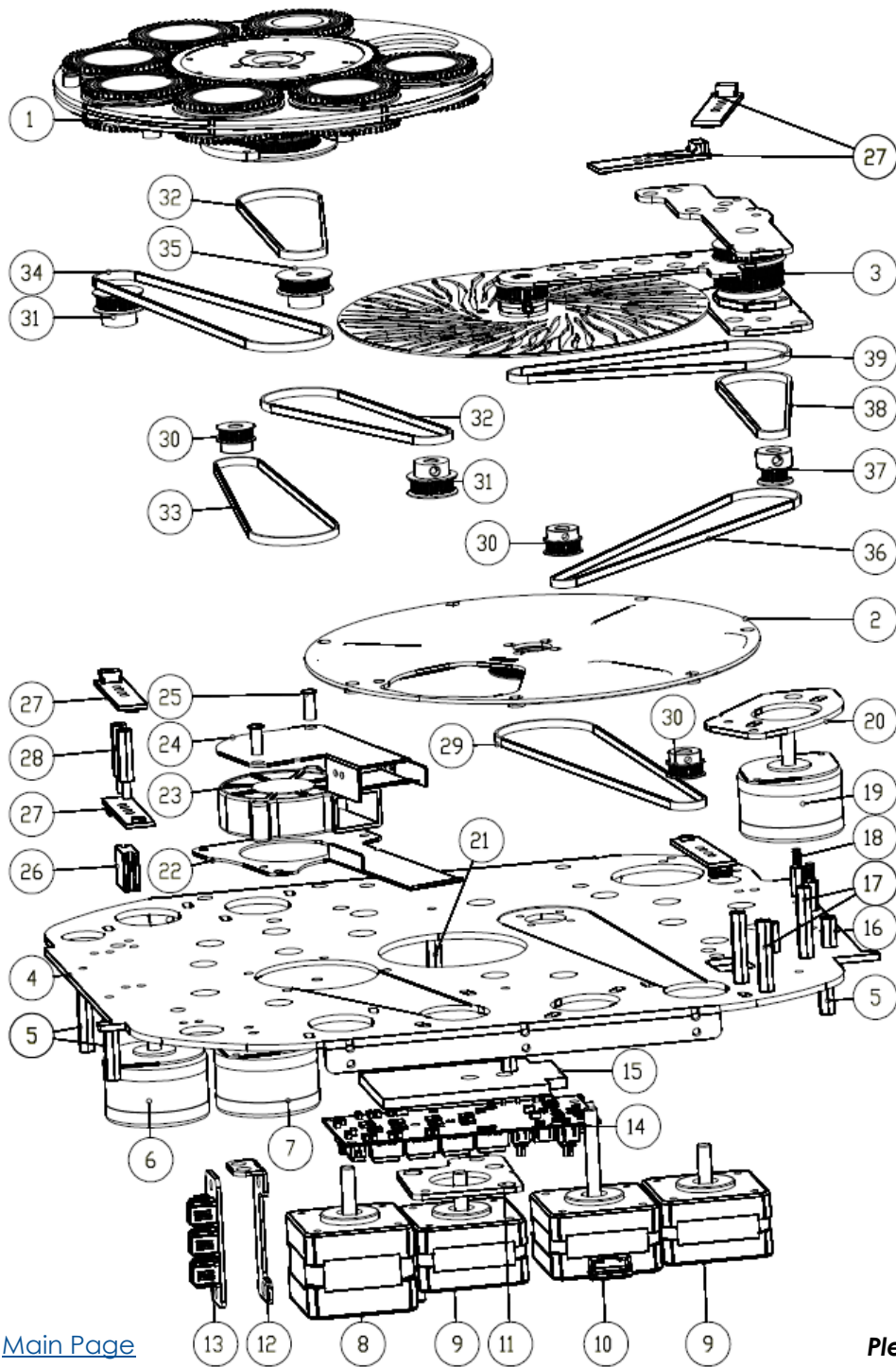
Please contact HES service for any part numbers that are not listed



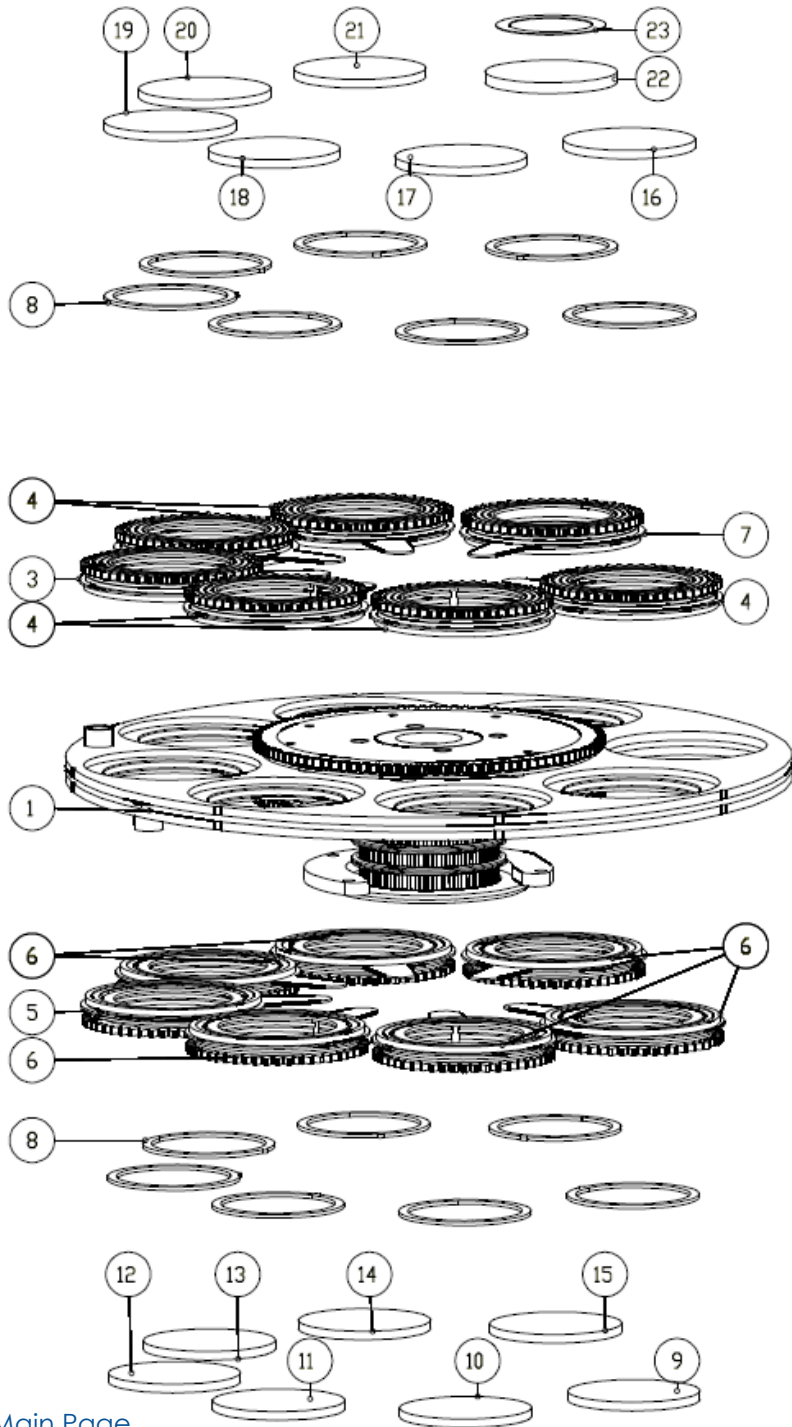
Ref. No.	HES Description	HES Part Number
1	FLAG MAGENTA TOP	2572A2011
2	FLAG MAGENTA WITH MAGNET BOTTOM	2572A2010
3	FLAG CYAN WITH MAGNET TOP	2572A2009
4	FLAG CYAN BOTTOM	2572A2008
5	FLAG YELLOW TOP	2572A2013
6	FLAG YELLOW WITH MAGNET BOTTOM	2572A2012
7	FLAG CTO WITH MAGNET TOP	2572A2007
8	FLAG CTO BOTTOM	2572A2006
12	MOTOR CTO, YELLOW	B2197
13	PCB COLOR MIX 5U	2572B5606
14	SILICONE PAD COLOR MIX PCB	HW60023
15	MOTOR CYAN, MAGENTA	B2193
18	SENSOR COLOR MIX	2591A4035
27	COLOR MIX FLAG RAIL LONG	2572A3008
28	RAIL COLOR MIX SHORT	2572A3023
31	BELT COLOR MIX	HWM9037

[Main Page](#)

Please contact HES service for any part numbers that are not listed



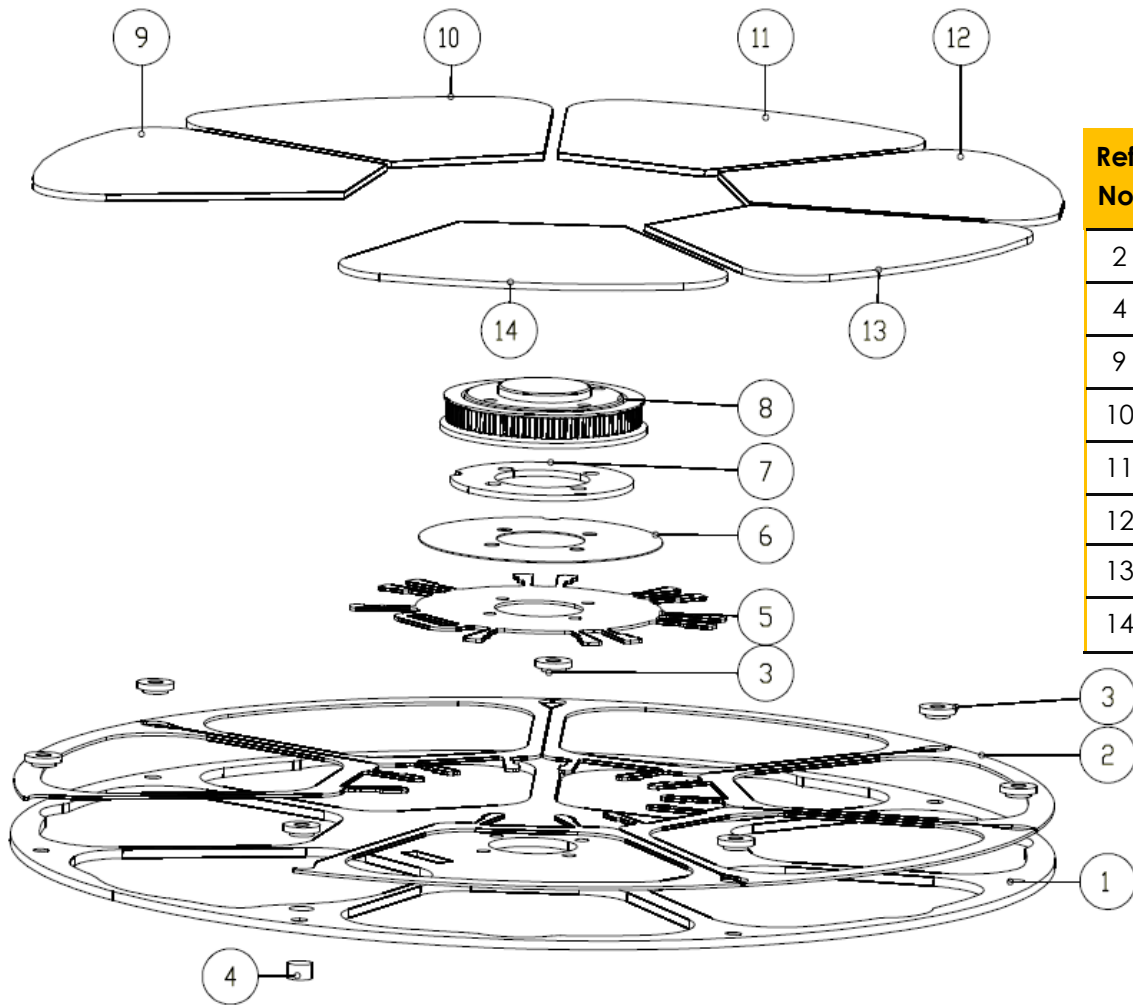
Ref. No.	HES Description	HES Part Number
1	WHEEL GOBO ASSEMBLY	2572A2023
2	WHEEL COLOR ASSEMBLY	2572A2022
3	WHEEL ANIMATION ASSEMBLY	2572A2021
6	MOTOR GOBO WHEEL 1	B2182
7	MOTOR GOBO WHEEL 2	B2183
8	MOTOR GOBO 2 ROTATE	B2181
9	MOTOR COLOR WHEEL, GOBO 1 ROTATE	B2195
10	MOTOR ANIMATION ROTATE	B2192
13	PCB JUNCTION GOBO MODULE	2572B5612
14	PCB GOBO MODULE 6U	2572B5604
15	SILICON PAD GOBO PCB	HS218
19	MOTOR ANIMATION ACTUATE	B2198
23	FAN GOBO MODULE	B1190
27	SENSOR ANIMATION, ANIMATIN ROTATE, COLOR WHEEL, GOBO WHEEL, GOBO ROTATE	2591A4034
29	BELT COLOR WHEEL	HWM9036
32	BELT GOBO ROTATE	HWM9033
33	BELT GOBO WHEEL2	HW9629
34	BELT GOBO WHEEL 1	HWM9002
36	BELT ANIMATION ROTATE MOTOR	HWM9035
38	BELT ANIMATION ACTUATE	HW9632
39	BELT ANIMATION ROTATE WHEEL	HWM9032



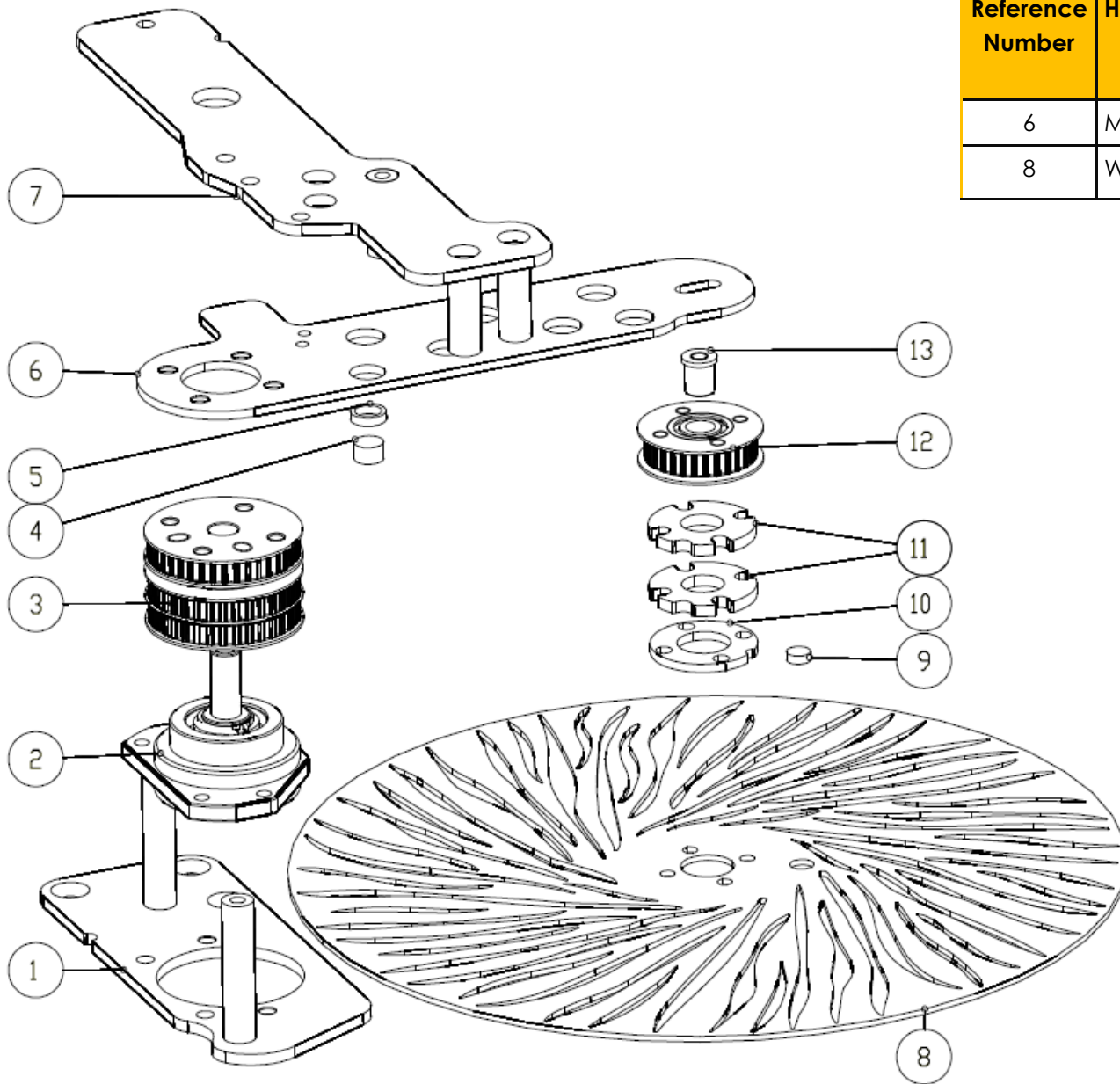
Reference Number	HES Description	HES Part Number
3	GOBO HOLDER WHEEL 1 WITH MAGNET	2572A3021
4	GOBO HOLDER WHEEL 1 1.1MM	2572A3019
5	GOBO HOLDER WHEEL 2 WITH MAGNET	2572A3018
6	GOBO HOLDER WHEEL 2 1.1MM GOBOS	2572A3017
7	GOBO HOLDER WHEEL 1 2.5MM GOBOS	2572A3020
8	GOBO APERTURE RING 30 OD X 26 ID W/TAB	2582A3028
9	GOBO TEXTURE DROPS	2582A4045
10	GOBO LOVELY BUBBLY	2582A4041
11	GOBO ART DUCKO	2582A4037
12	GOBO WINDOW MATRIX	2582A4049
13	GOBO SWIRLY GIG	2582A4044
14	GOBO FENCED IN	2582A4040
15	GOBO THE ONLY WAY IS UP	2582A4047
16	GOBO WIGGLE LINES	2582A4048
17	GOBO MYCELIUM	2582A4042
18	GOBO BOB'S BRUSH	2582A4038
19	GOBO THE CLAW	2582A4046
20	GOBO CUT CON	2582A4039
21	GOBO SPLIT-S	2582A4043
22	GOBO ICE	2582A4050
23	GOBO ICE APERTURE	2572A4018
	Not Shown	
	GOBO SPRING	2582A3040

[Main Page](#)

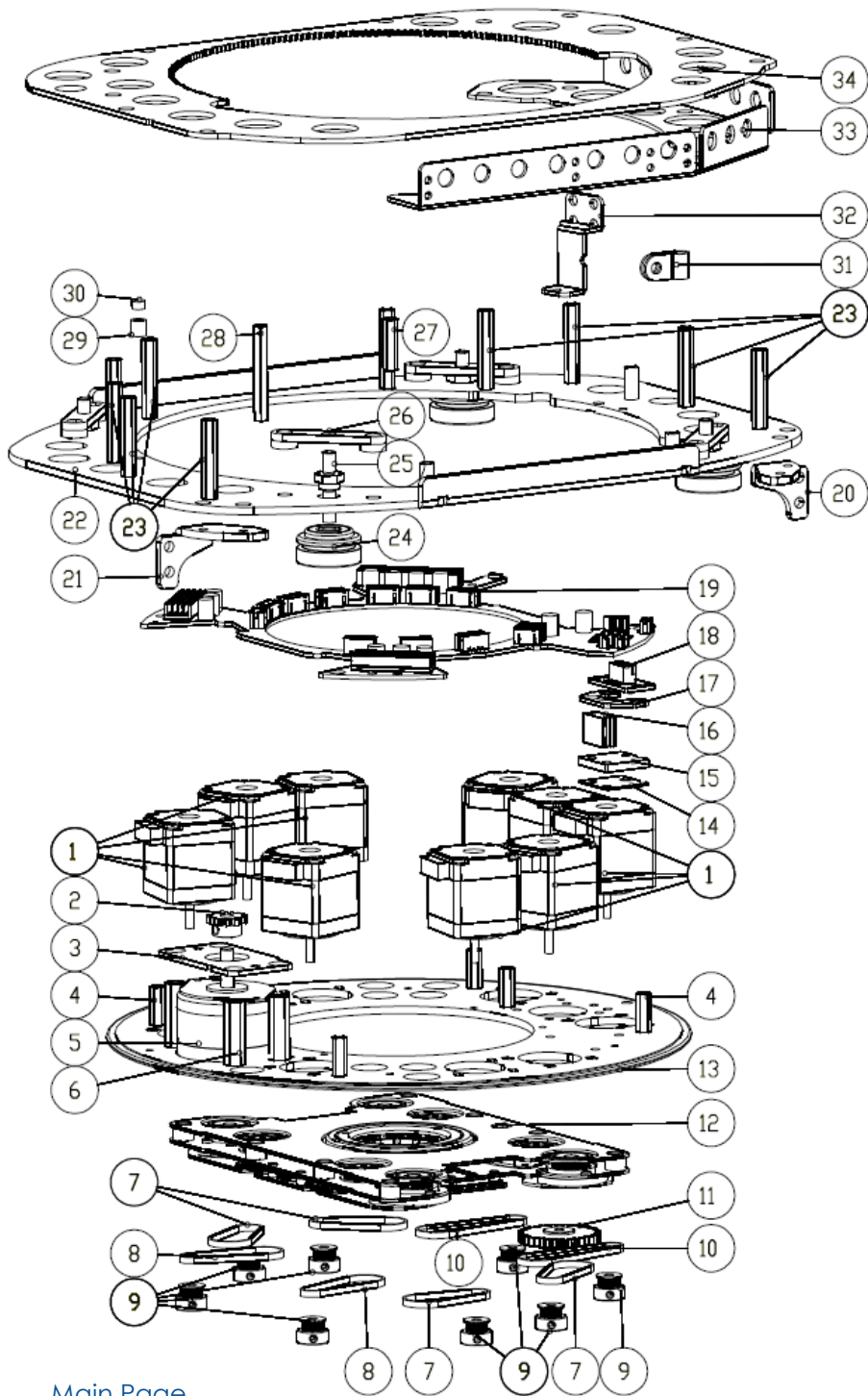
Please contact HES service for any part numbers that are not listed



Ref. No.	HES Description	HES Part Number
2	COLOR WEDGE MOUNT	2572A4003
4	MAGENT	B3020
9	COLOR WEDGE CTB (includes mount)	2572A2033
10	COLOR WEDGE DARK BLUE (includes mount)	2572A2028
11	COLOR WEDGE ORANGE (includes mount)	2572A2030
12	COLOR WEDGE TM30 (includes mount)	2572A2032
13	COLOR WEDGE BLUE (includes mount)	2572A2029
14	COLOR WEDGE RED (includes mount)	2572A2031



Reference Number	HES Description	HES Part Number
6	MAGNET	B3014
8	WHEEL ANIMATION	2572A3014



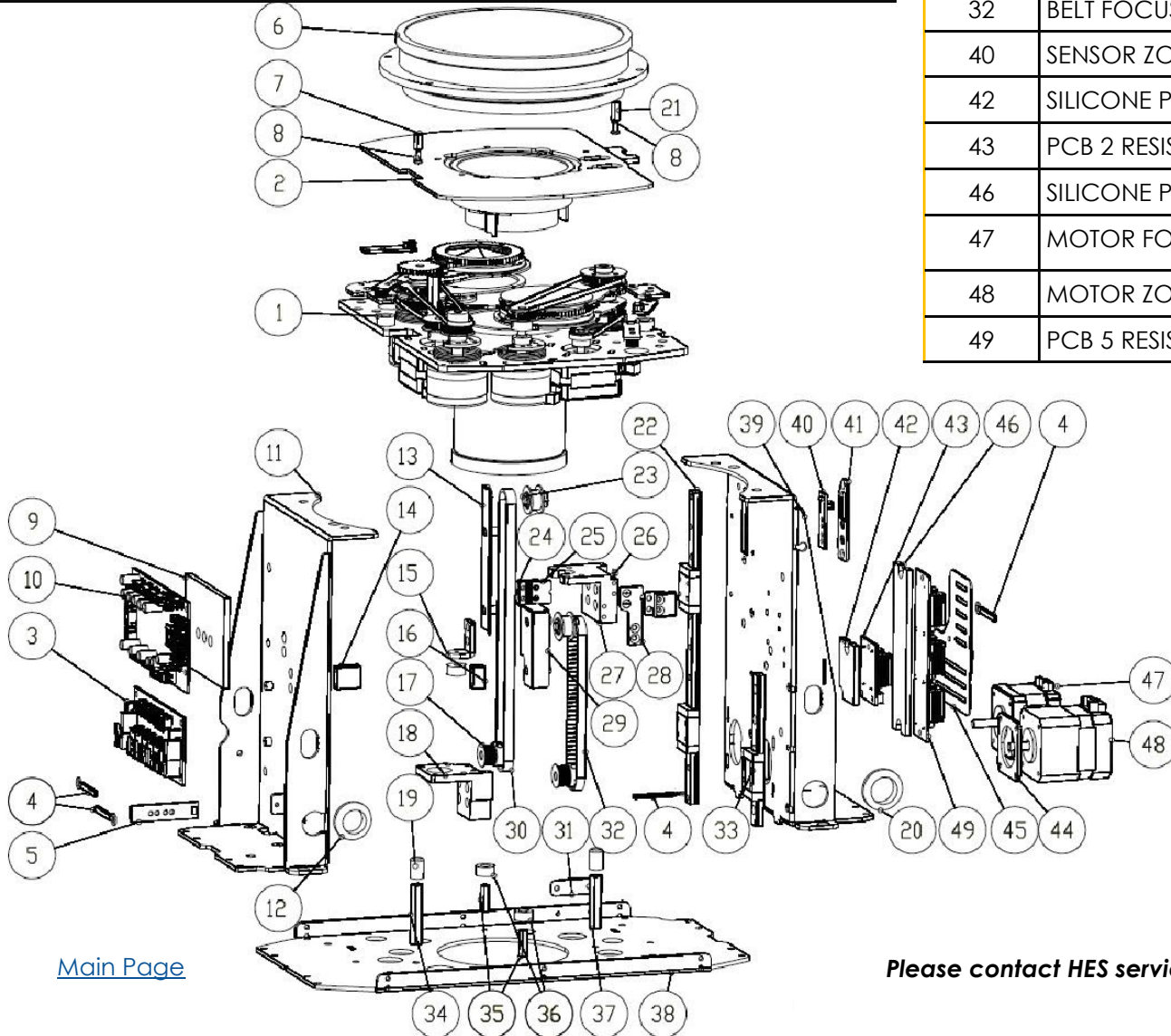
Reference Number	HES Description	HES Part Number
1	MOTOR FRAMING BLADES, IRIS	B2190
5	MOTOR FRAMING ROTATE	B2196
7	BELT FRAMING B43MXL	HWM9039
8	BELT FRAMING B48MXL	HWM9040
10	BELT FRAMING B56MXL	HWM9041
12	FRAMING/IRIS ASSEMBLY	2572A2014
18	SENSOR FRAMING ROTATE	2572B5602
19	PCB FRAMING 4U	2572B5603

[Main Page](#)

Please contact HES service for any part numbers that are not listed

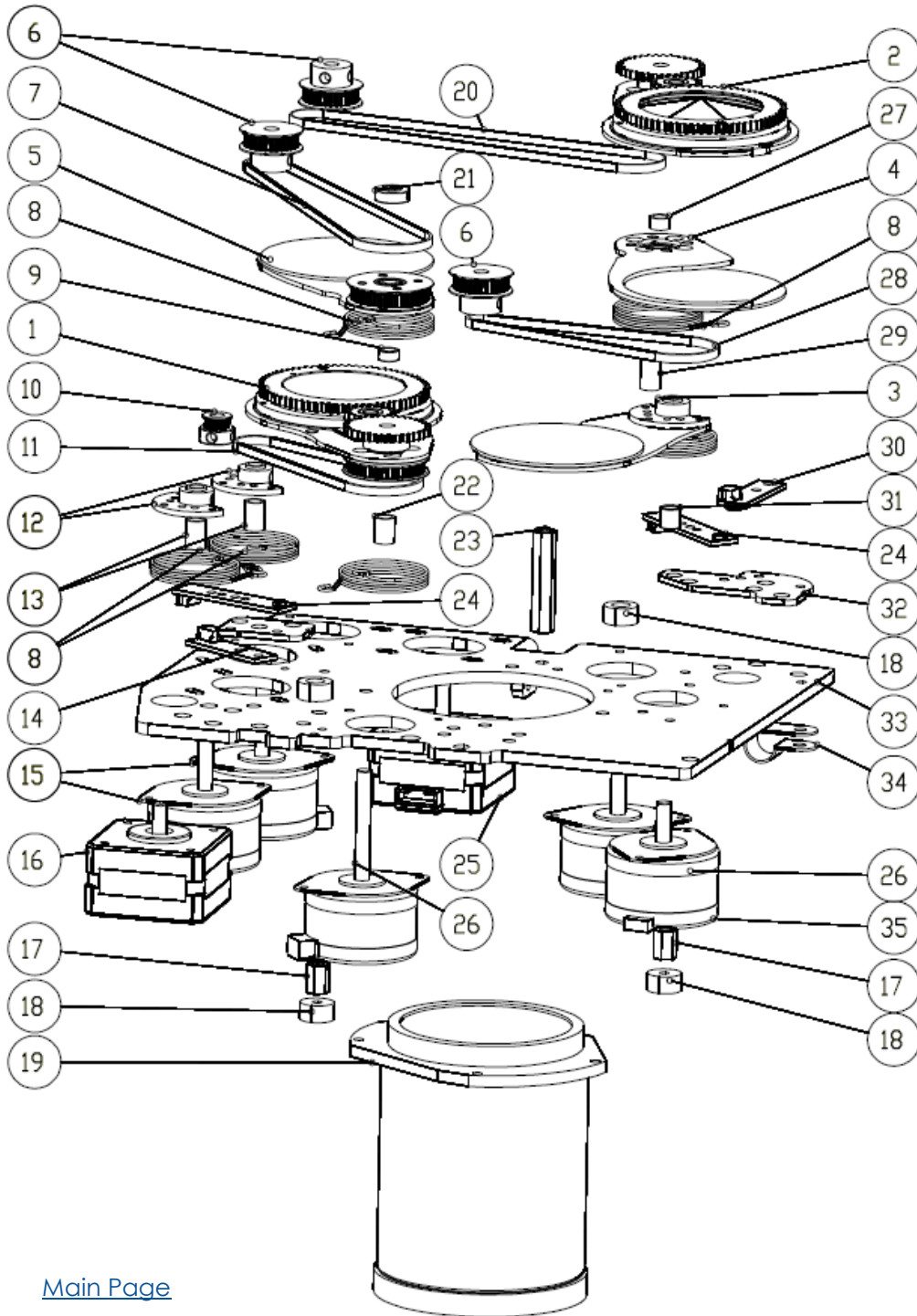
Reference Number	HES Description	HES Part Number
3	PCB JUNCTION FOCUS ZOOM MODULE	2572B5608
5	SENSOR FOCUS	2572B5617
6	LEN OUTPUT	OP2141
9	SILICONE PAD FOCUS ZOOM PRISM FROST PCB	HW60017

Reference Number	HES Description	HES Part Number
10	PCB FOCUS ZOOM PRISM FROST 7U	2572B5616
22	RAIL FOCUS ZOOM	2572A3010
30	BELT ZOOM	HWM9028
31	SENSOR TEMP HEAD	2582B5602
32	BELT FOCUS	HWM9027
40	SENSOR ZOOM	2582B5605
42	SILICONE PAD 2 RESISTOR PCB	HW60025
43	PCB 2 RESISTOR	2572B5607
46	SILICONE PAD 5 RESISTOR PCB	HW60022
47	MOTOR FOCUS	B2191
48	MOTOR ZOOM	B2166
49	PCB 5 RESISTOR	2572B5618



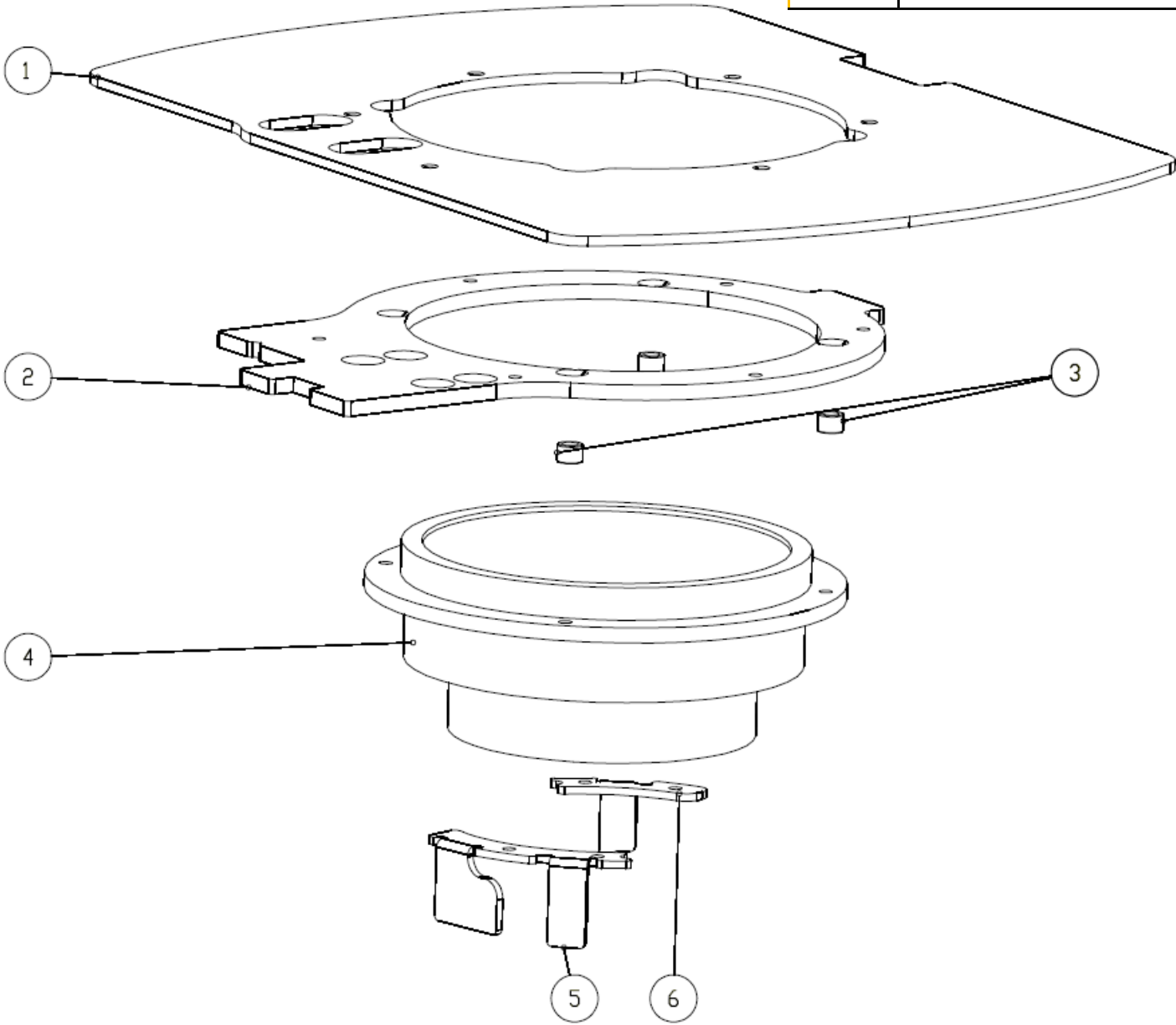
[Main Page](#)

Please contact HES service for any part numbers that are not listed



Ref. No.	HES Description	HES Part Number
1	PRISM LINEAR	OP2144
2	PRISM 5 FACET	OP2143
3	FROST LIGHT TITANIUM	2572A2004
4	FROST HEAVY	2572A2003
5	FROST MEDIUM	2572A2002
7	BELT FROST MEDIUM	HWM9034
8	SPRING FROST PRISM	2572A3011
11	BELT 5 FACET PRISM ACTUATE	HWM9038
15	MOTOR FROST MEDIUM, PRISM ACTUATE	B2163
16	MOTOR 5 FACET PRISM ACTUATE	B2182
19	LENS FOCUS	OP2140
20	BELT LINEAR PRISM ACTUATE	HW9629
24	SENSOR PRISM HOMING	2591A4034
25	MOTOR FROST LIGHT	B2194
26	MOTOR PRISM ROTATE	B2171
28	BELT FROST LIGHT	HWM9031
30	SENSOR PRISM ROTATE	2572B5617
35	MOTOR FROST HEAVY	B2167

Reference Number	HES Description	HES Part Number
1	LENS ZOOM	OP2142



Please contact HES service for any

Halcyon Platinum PCB Identifiers

PCB Software ID	Controls
1U	Display
2U	Pan, Tilt
3U	LED Control
4U	CMY, CTO
5U	Focus, Frosts, Prisms, Zoom
6U	Animation, Color Wheel, Gobo Wheels
7U	Framing Blades, Framing Rotate, Iris