



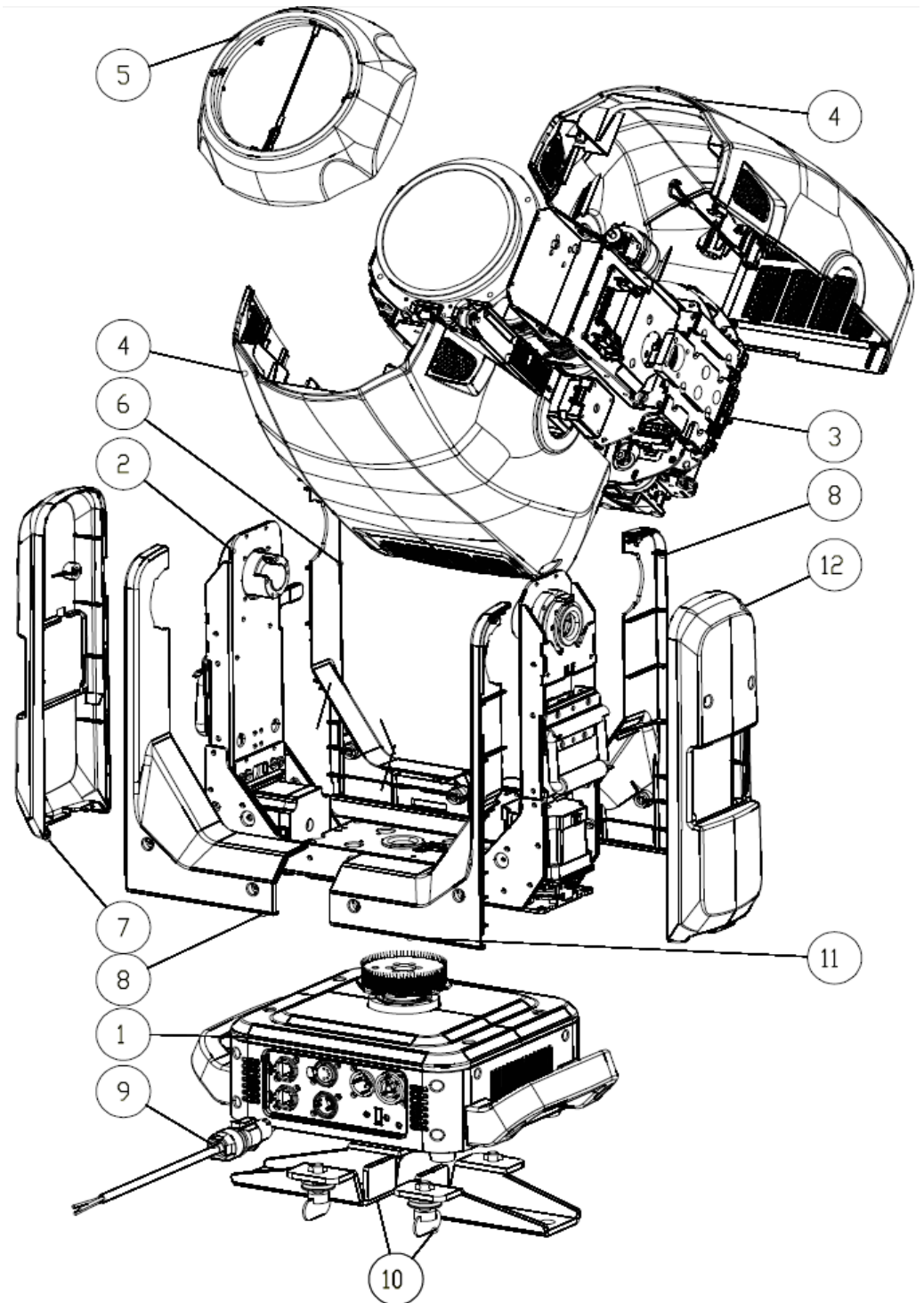
HIGH END SYSTEMS

Exploded Diagram Hyperstar



Part Number	Color	Packaging
2550A1100-B	Black	Ultra-Bright in Molded Insert, Boxed
2550A1100-1B	White	Ultra-Bright in Molded Insert, Boxed
2550A1020		Top Hat, Snoot for Hyperstar
2550A2083		Heavy Frost Accessory for Hyperstar

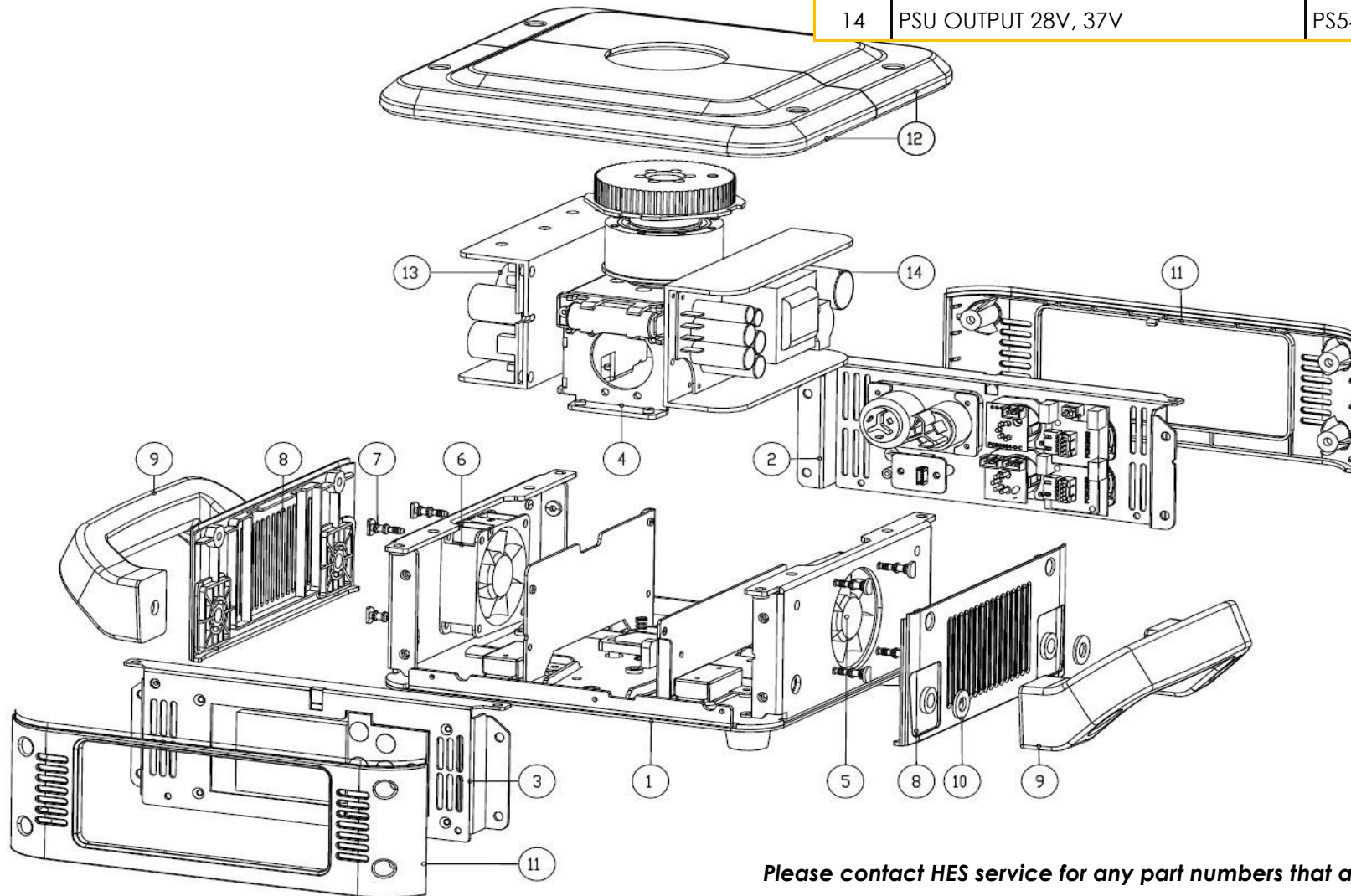
Ref. No.	HES Description	HES Part Number
2	YOKE ASSEMBLY	2550A2528
4	COVER HEAD	2550A4004
5	COVER HEAD FRONT	2550A4005
6	COVER FRONT RIGHT	2550A4532
7	COVER YOKE ARM LOCK SIDE	2550A4534
8	COVER YOKE FRONT LEFT REAR RIGHT	2550A4530
9	POWER CORD	2582B7001
10	TRUSS MOUNT BRACKET 3-POSITION (STOCK)	2599A2000
	TRUSS MOUNT BRACKET 1-POSITION (OPTIONAL)	H7180023
11	COVER YOKE REAR LEFT	2550A4531
12	COVER YOKE ARM	2550A4533



Please contact HES service for any part numbers that are not listed

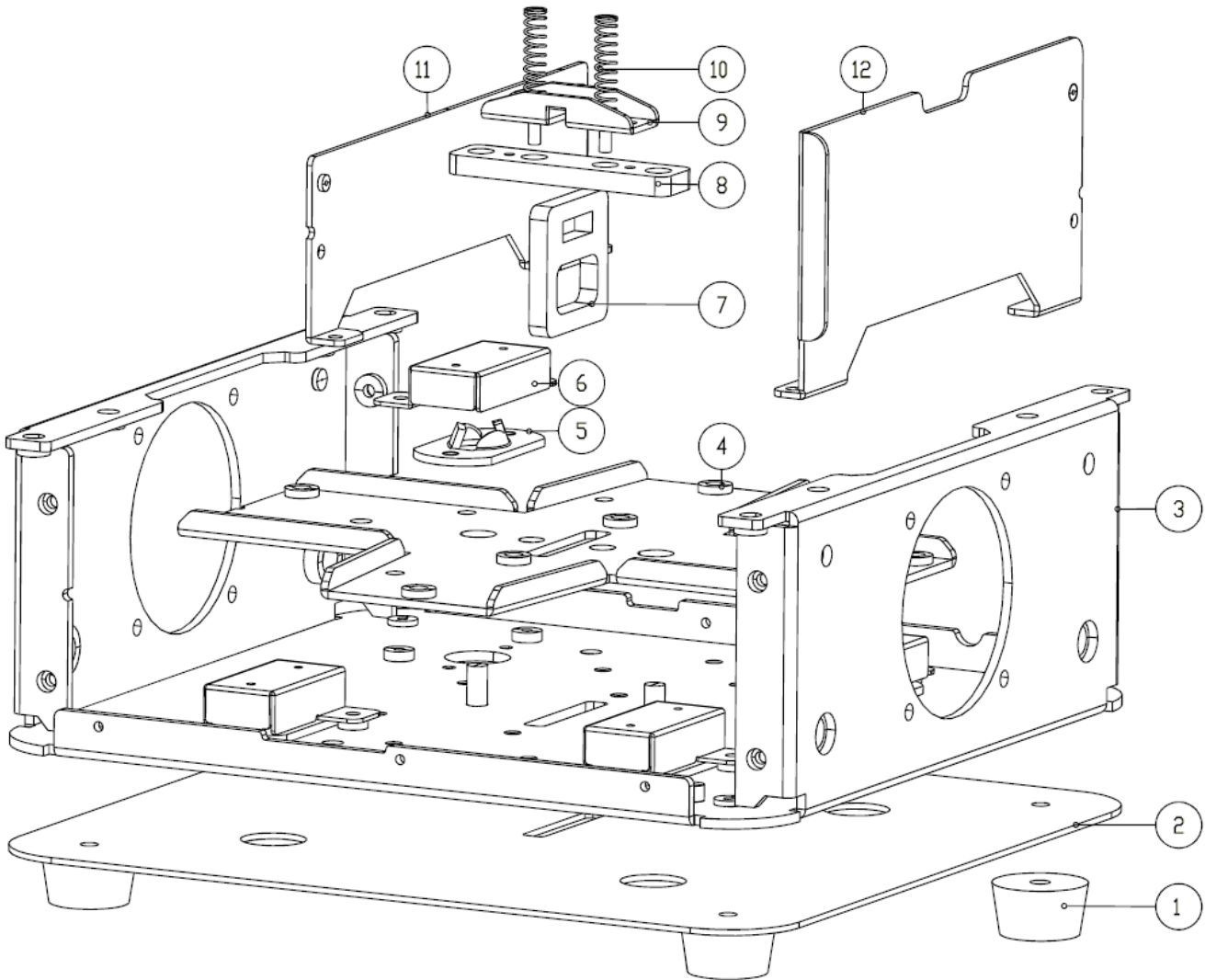
Ref. No.	HES Description	HES Part Number
2	REAR PANEL ASSEMBLY	2550A2014
3	PCB DISPLAY ASSEMBLY 1U	2550B5625
4	PAN TUBE ASSEMBLY	2550A3009
5	FAN BASE JB1	B1125
6	FAN BASE JB2	2540A3015

Ref. No.	HES Description	HES Part Number
8	COVER BASE SIDE	2550A4529
9	HANDLE BASE	2550A4015
11	COVER BASE FRONT, REAR	2594A4004
12	COVER BASE LID	2550A4002
13	PSU INPUT	PS511
14	PSU OUTPUT 28V, 37V	PS541



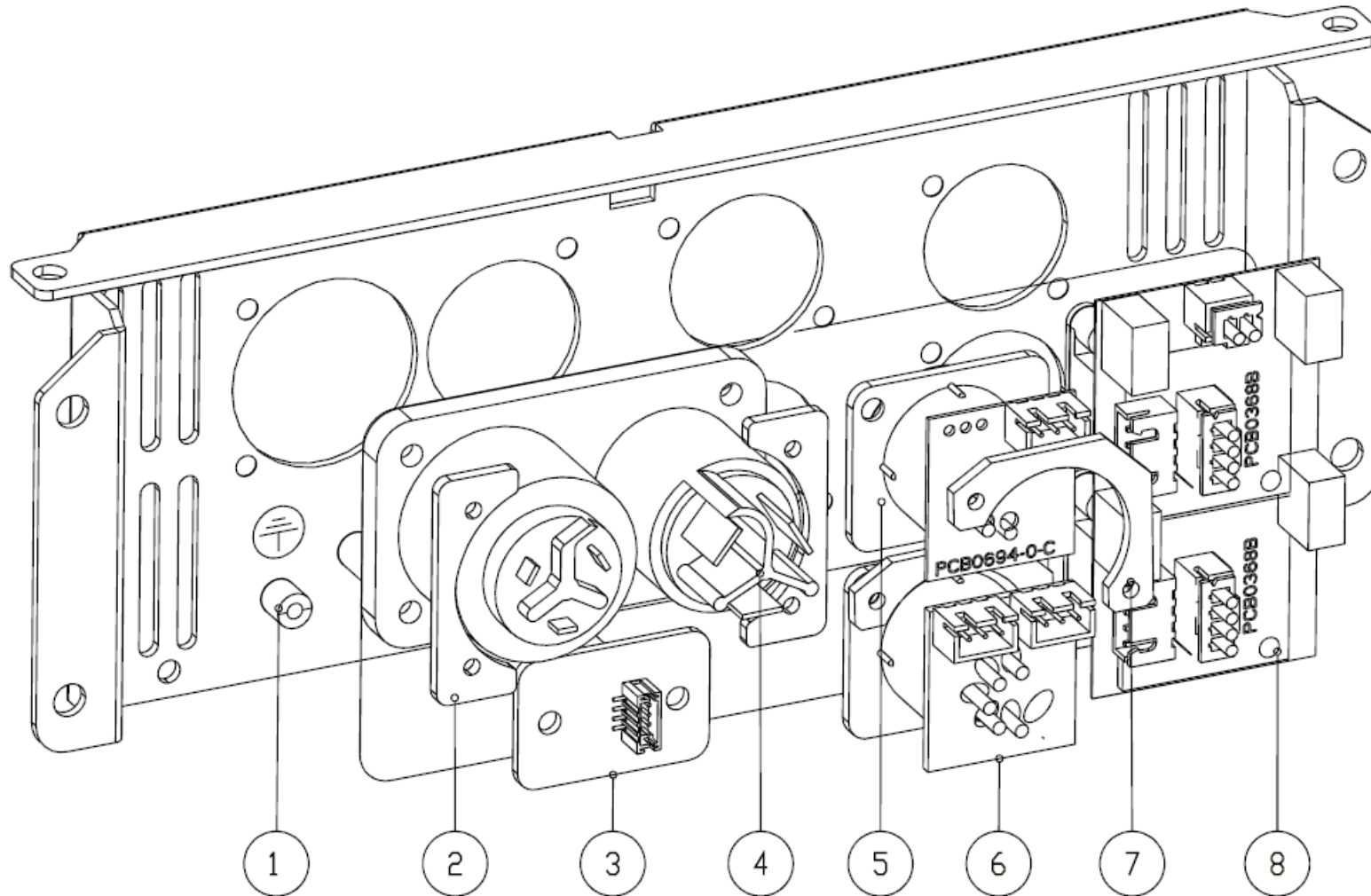
Please contact HES service for any part numbers that are not listed

Ref. No.	HES Description	HES Part Number
1	RUBBER FOOT	HW60003
2	COVER BASE BOTTOM	2550A3013
5	RECEPTACLE TRUSS BRACKET	2582A3019



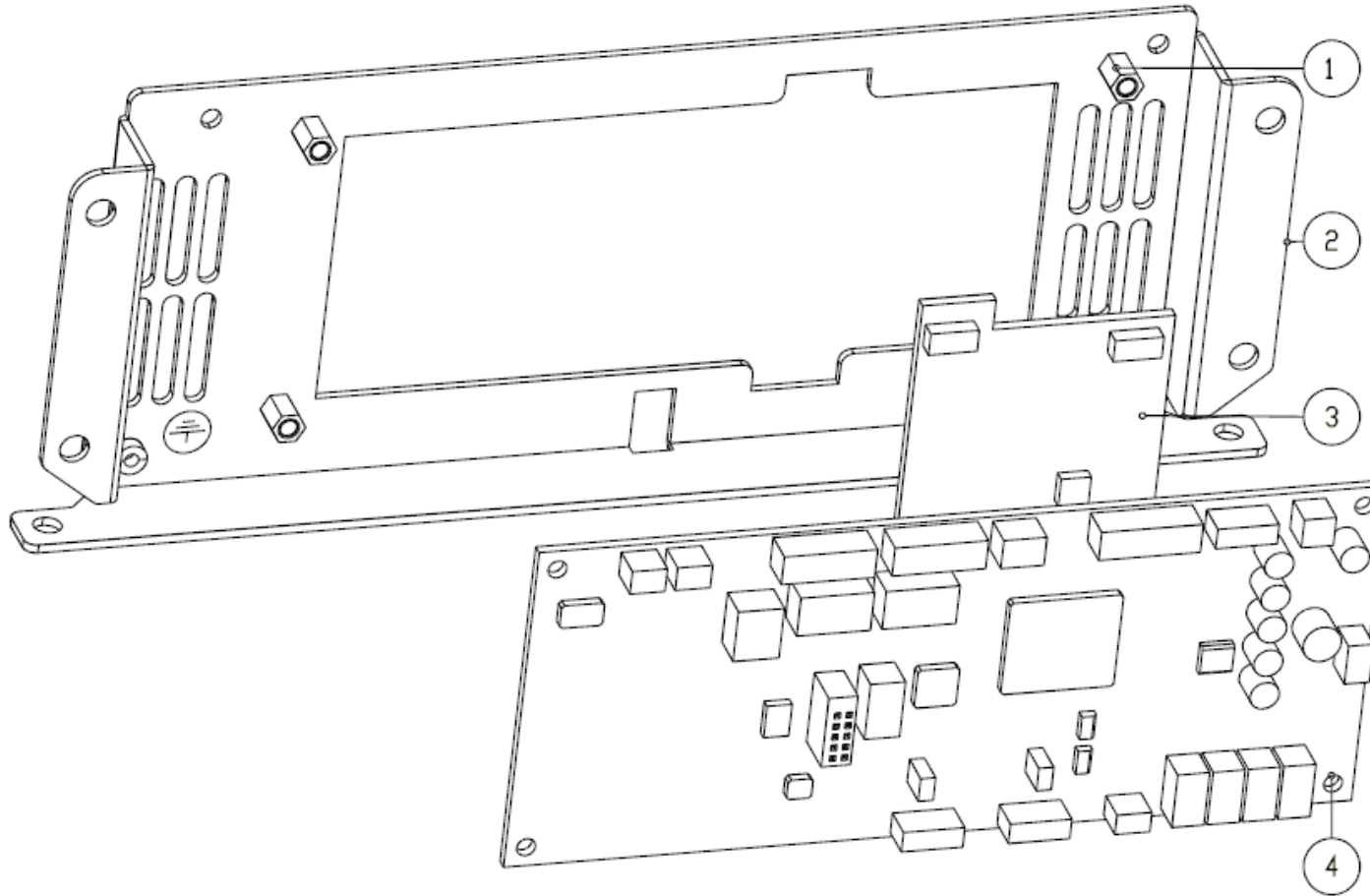
Please contact HES service for any part numbers that are not listed

Ref. No.	HES Description	HES Part Number
3	USB PORT	2581B5015
4	POWER SOCKET	J2556
5	XLR FEMALE	2582B5627
6	XLR MALE	2582B5626
8	PCB ETHERNET	2594B5001



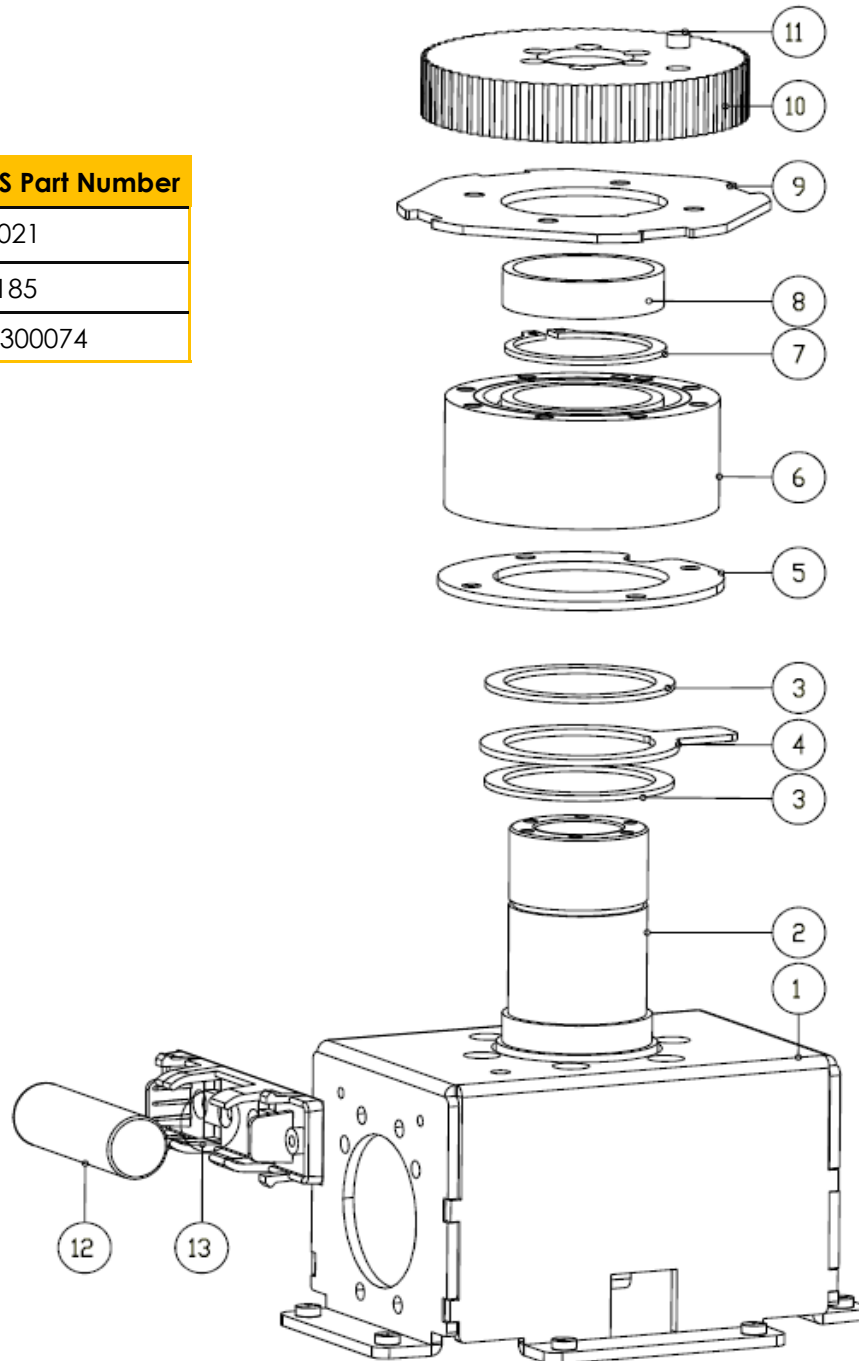
Please contact HES service for any part numbers that are not listed

Ref. No.	HES Description	HES Part Number
3	PCB BUTTON	2581B5024
4	PCB DISPLAY 1U	2550B5614



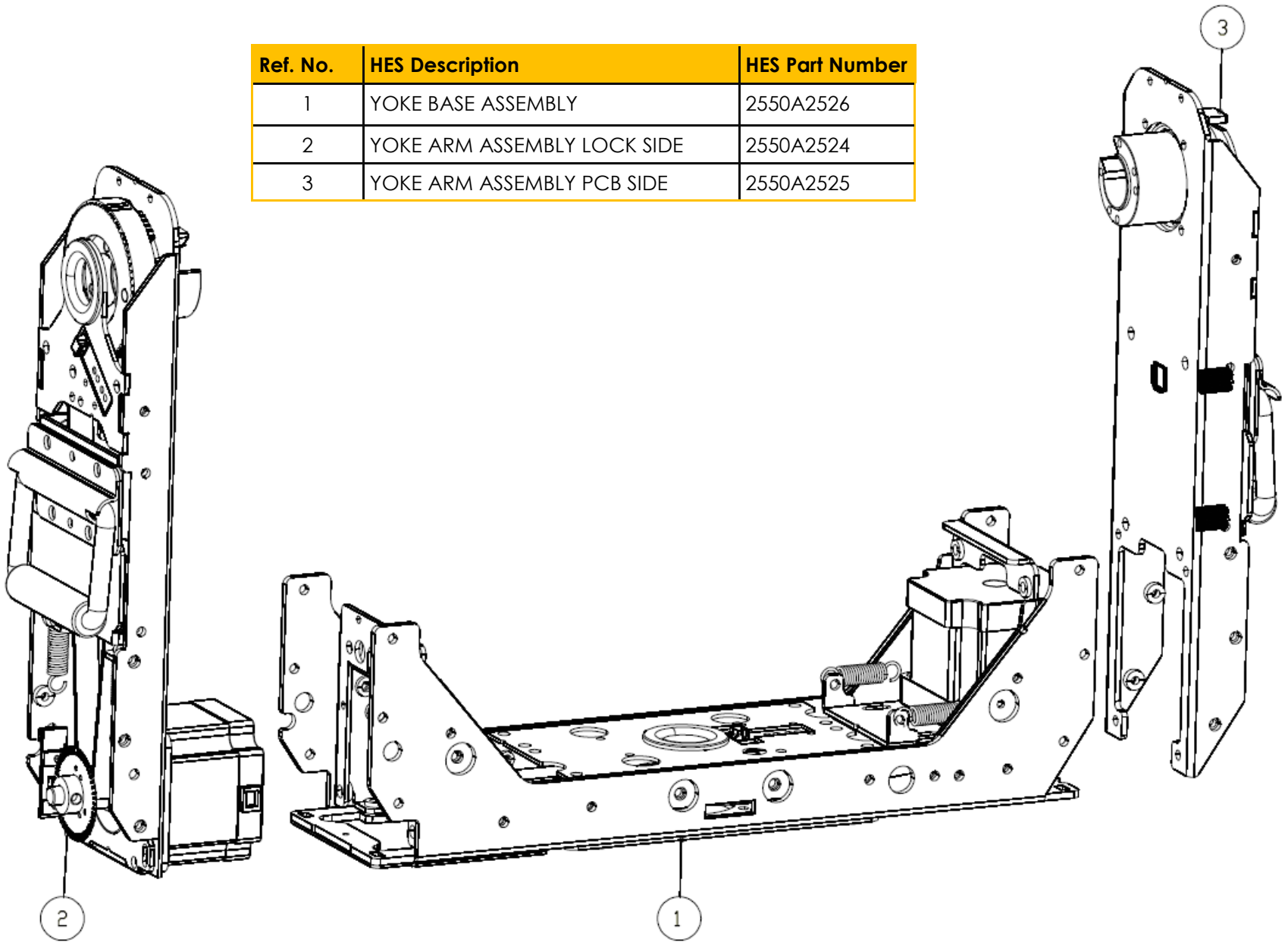
Please contact HES service for any part numbers that are not listed

Ref. No.	HES Description	HES Part Number
11	PAN HOMING MAGNET	B3021
12	BATTERY	BT185
13	BATTERY HOLDER	H7300074



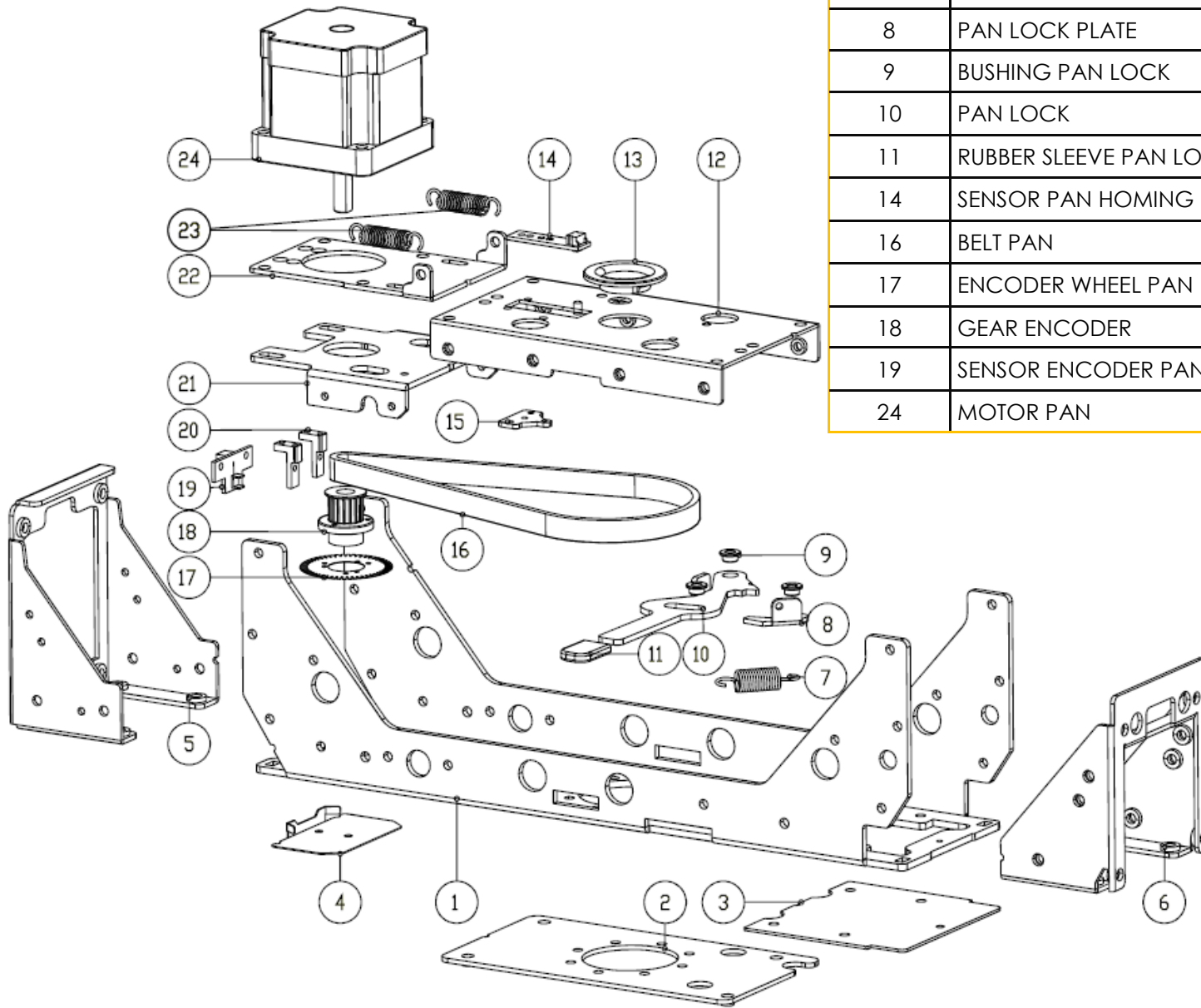
Please contact HES service for any part numbers that are not listed

Ref. No.	HES Description	HES Part Number
1	YOKE BASE ASSEMBLY	2550A2526
2	YOKE ARM ASSEMBLY LOCK SIDE	2550A2524
3	YOKE ARM ASSEMBLY PCB SIDE	2550A2525



Please contact HES service for any part numbers that are not listed

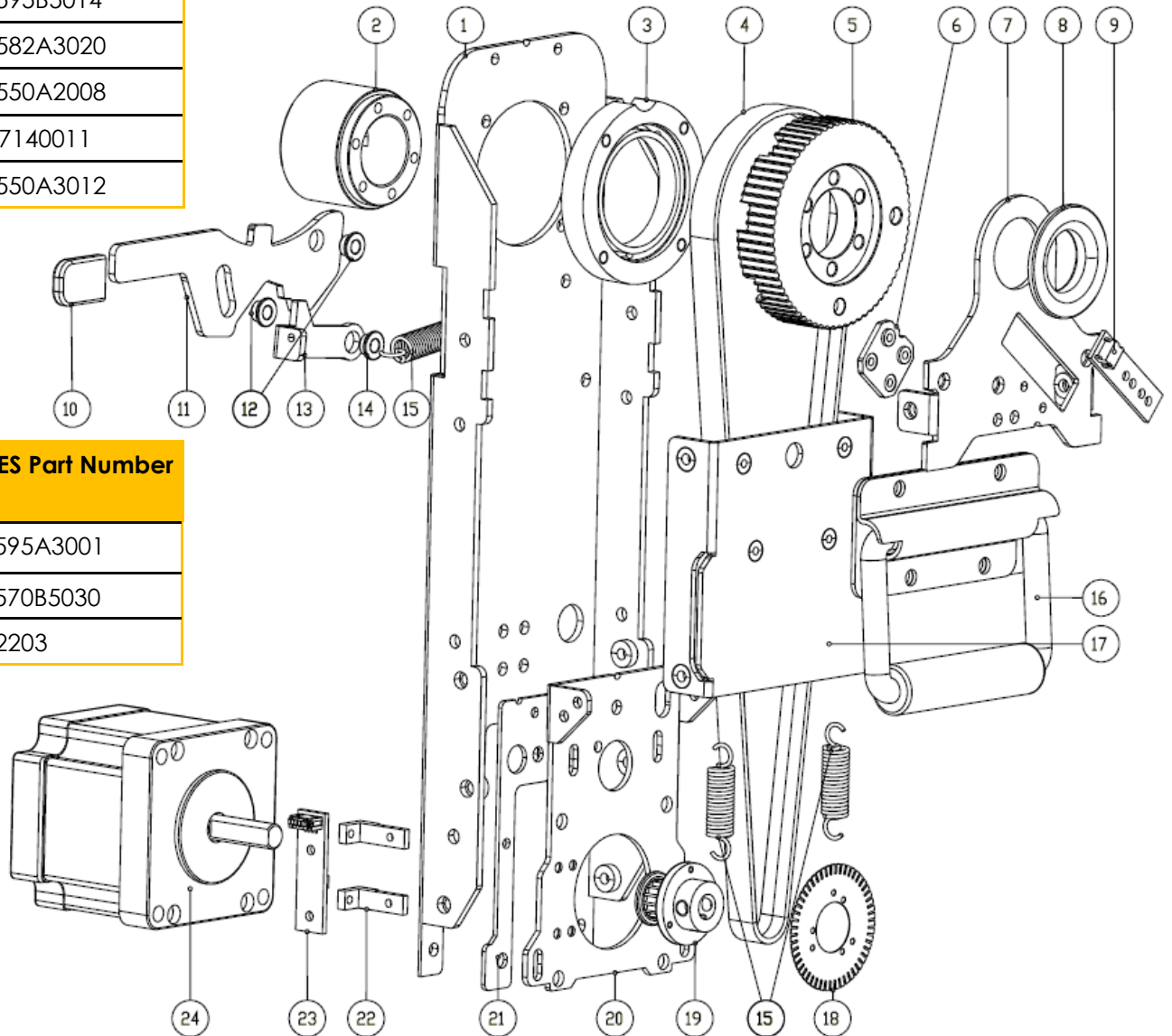
Ref. No.	HES Description	HES Part Number
7	SPRING PAN LOCK	HW7483
8	PAN LOCK PLATE	2550A3011
9	BUSHING PAN LOCK	H7140019
10	PAN LOCK	2550A2007
11	RUBBER SLEEVE PAN LOCK	2582A3020
14	SENSOR PAN HOMING	2595B5014
16	BELT PAN	HW9616
17	ENCODER WHEEL PAN	2582A3006
18	GEAR ENCODER	2550A4012
19	SENSOR ENCODER PAN	2582B5601
24	MOTOR PAN	2540B2014



Please contact HES service for any part numbers that are not listed

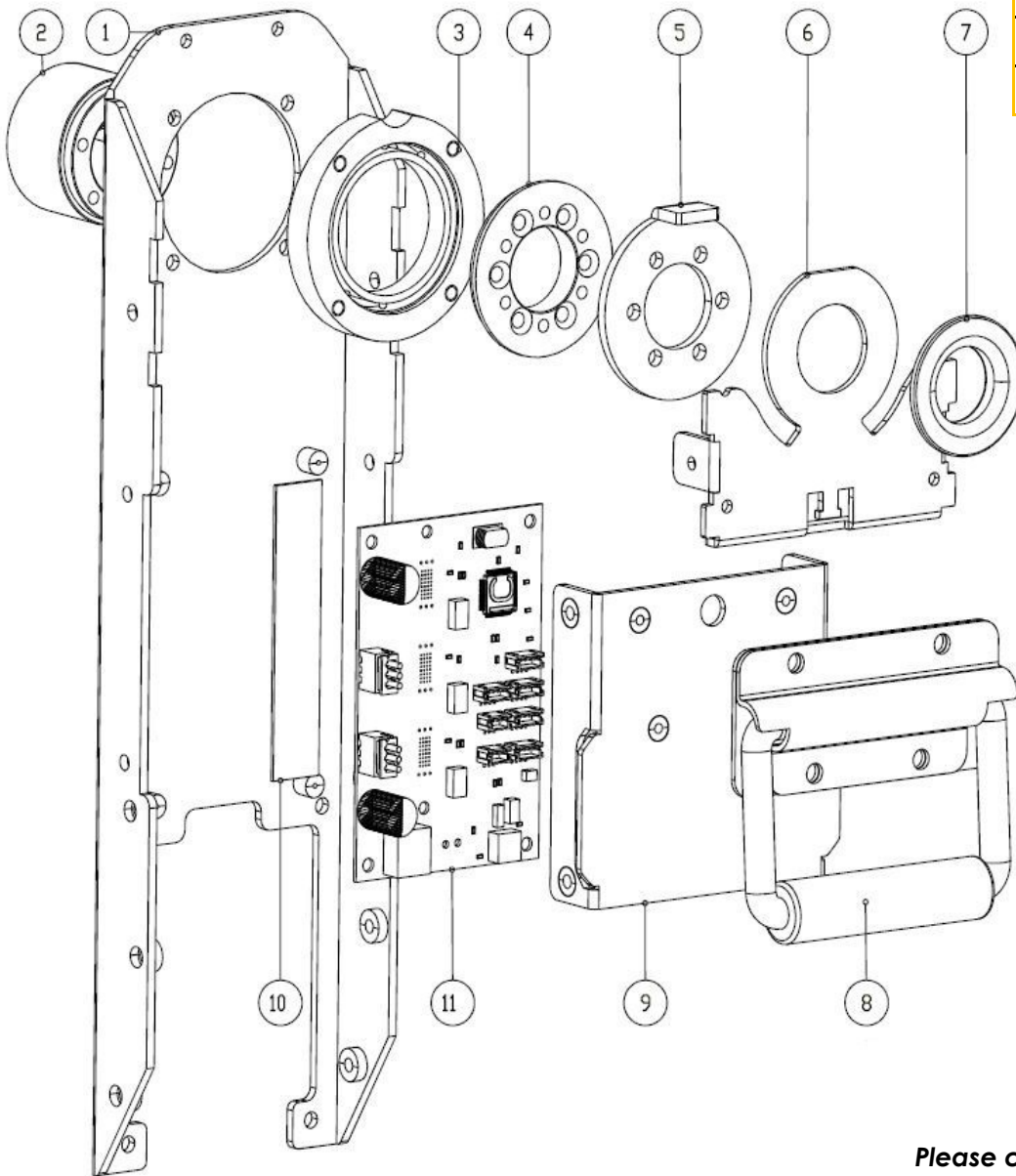
Ref. No.	HES Description	HES Part Number
4	BELT TILT	H7800008
5	GEAR TILT	2595A3002
9	SENSOR TILT HOMING	2595B5014
10	RUBBER SLEEVE TILT LOCK	2582A3020
11	TILT LOCK	2550A2008
12	BUSHING TILT LOCK	H7140011
13	TILT LOCK PLATE	2550A3012

Ref. No.	HES Description	HES Part Number
15	SPRING TILT LOCK	HW7526
16	HANDLE YOKE	2550A4535



Ref. No.	HES Description	HES Part Number
19	GEAR TILT PINION	2595A3001
23	SENSOR TILT ENCODER	2570B5030
24	MOTOR TILT	B2203

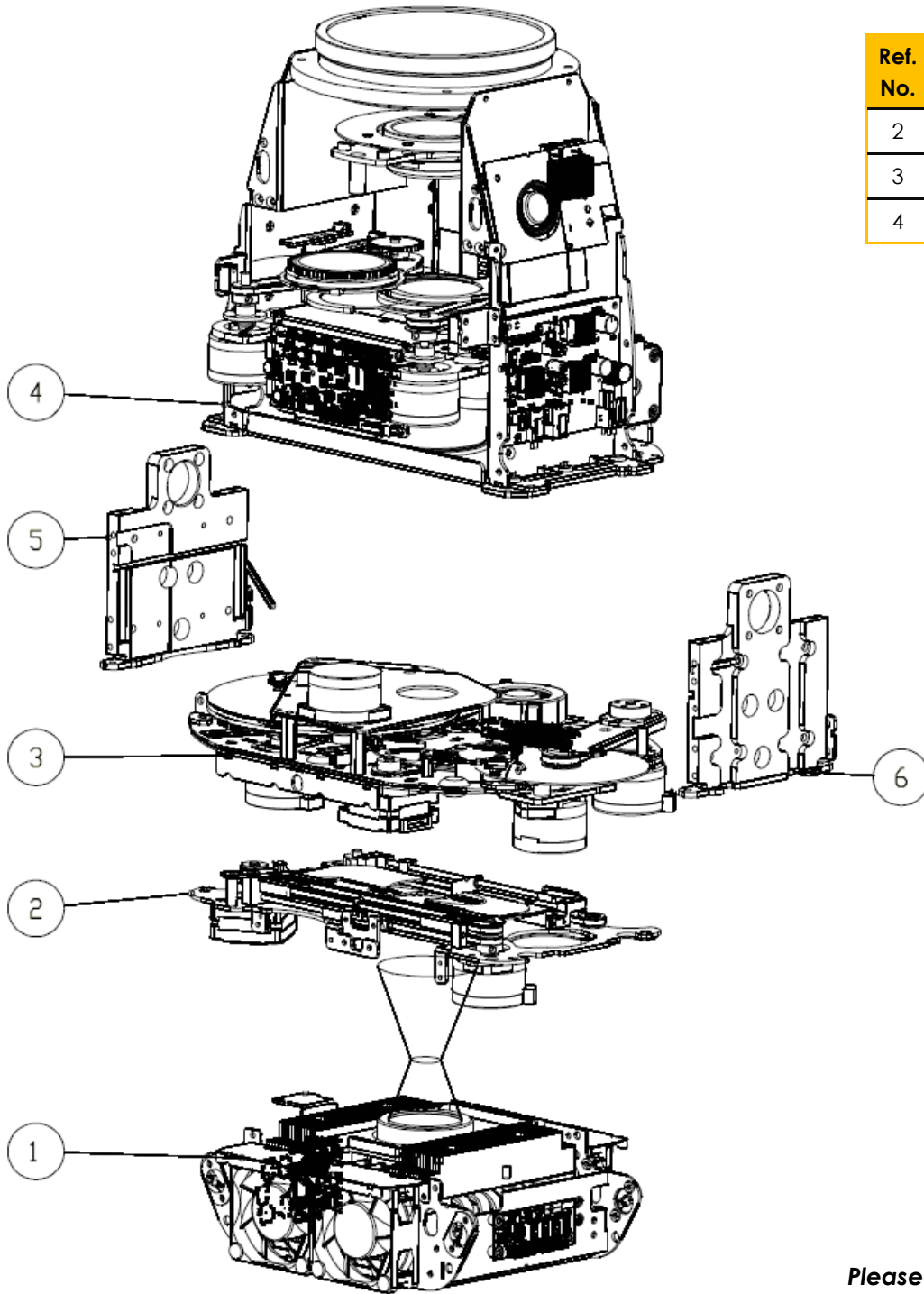
Please contact HES service for any part numbers that are not listed



Ref. No.	HES Description	HES Part Number
5	TILT LOCK WHEEL	2550A3004
8	HANDLE YOKE	2550A4535
10	SILICONE PAD PAN TILT PCB	HW6984
11	PCB PAN TILT 2U	2550B5615

Please contact HES service for any part numbers that are not listed

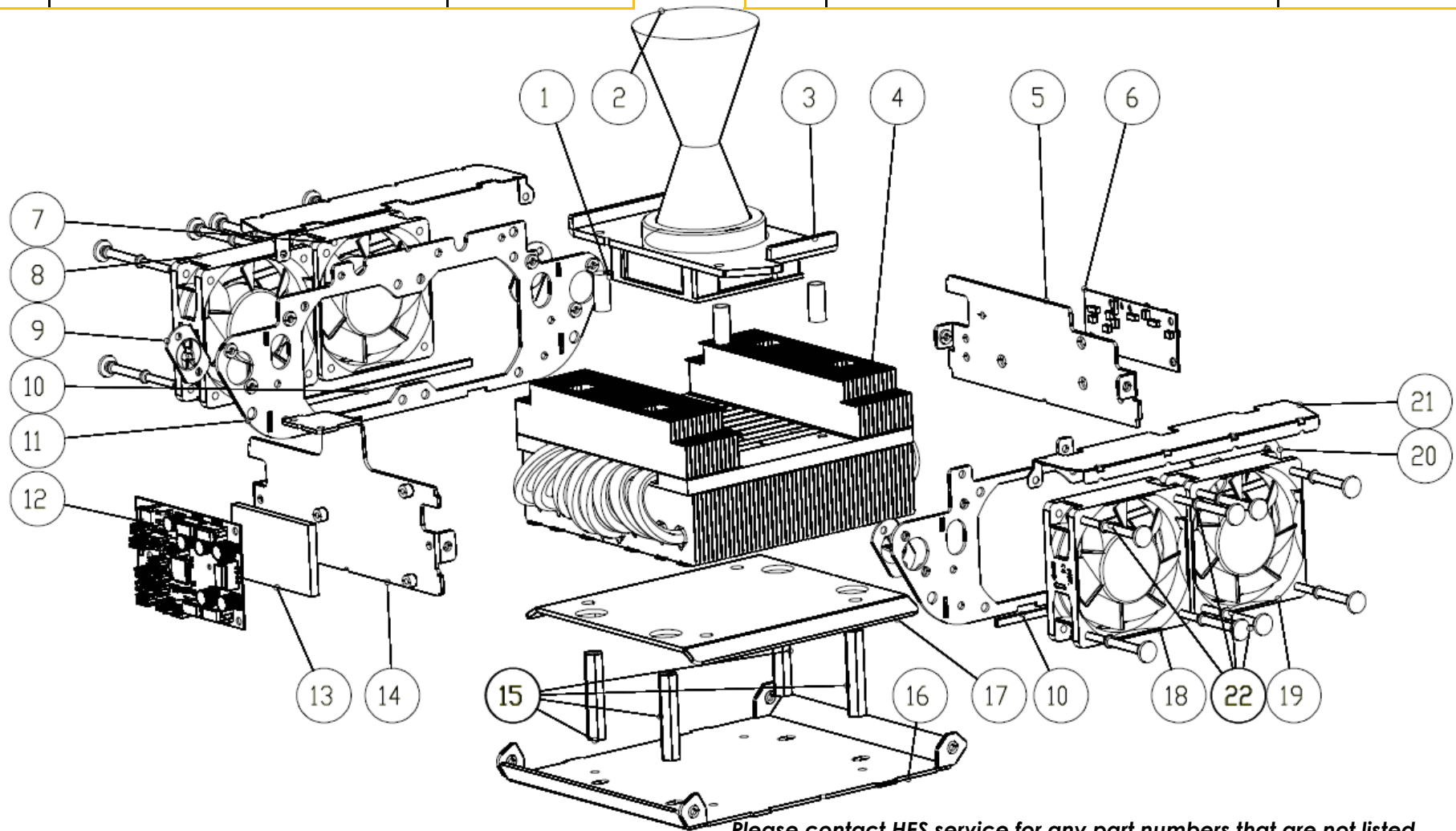
Ref. No.	HES Description	HES Part Number
2	MODULE COLOR MIX	2550A2529
3	MODULE GOBO	2550A2527
4	MODULE FOCUS ZOOM	2550A2530



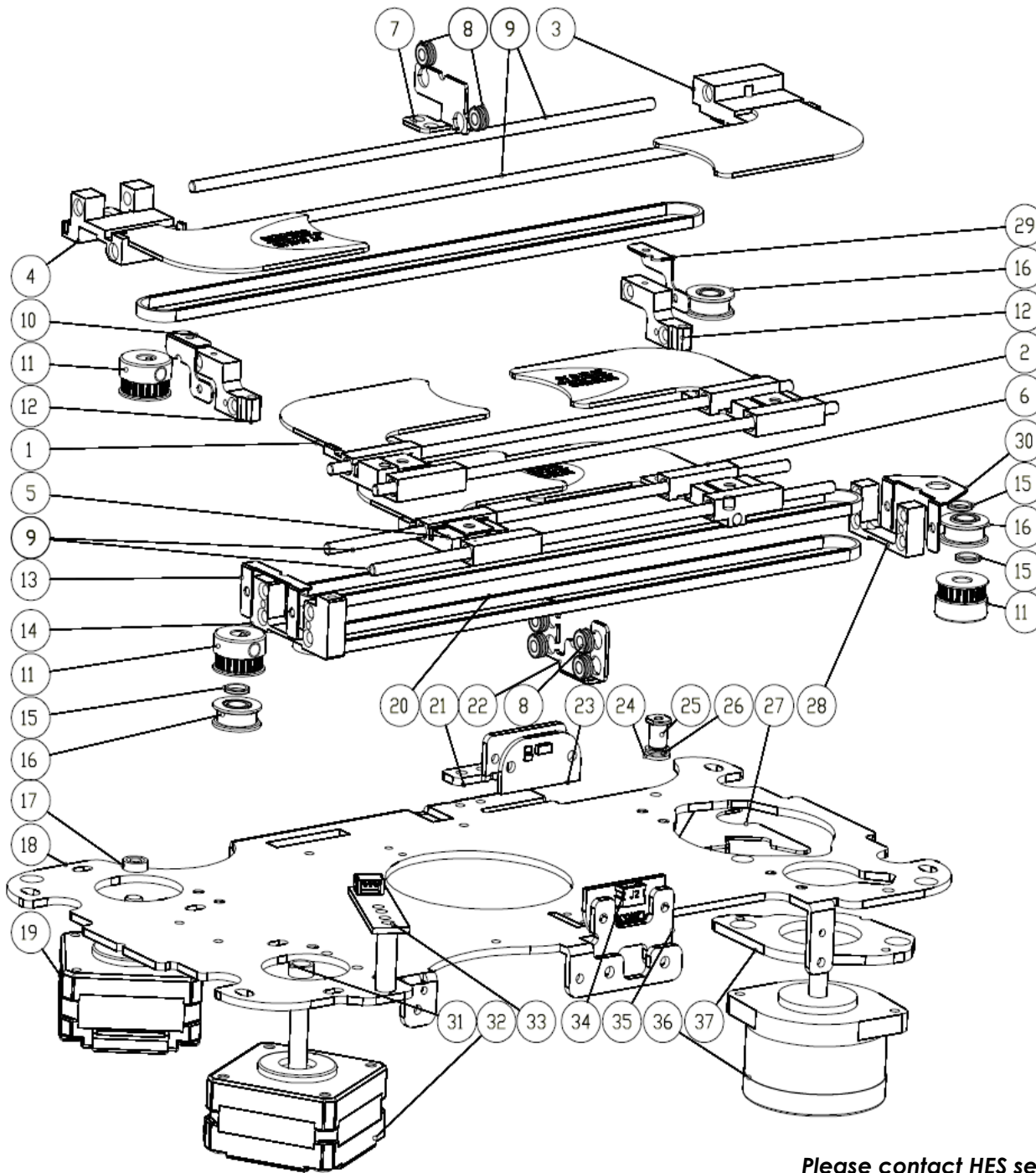
Please contact HES service for any part numbers that are not listed

Ref. No.	HES Description	HES Part Number
2	LED LIGHT ENGINE	2550B2003
4	LED HEATSINK	2550A3014
6	PCB LED FANS 6U	2550B5617
7	FAN LED 16CM 6JB1	B1200
8	FAN LED 22CM	B1203

Ref. No.	HES Description	HES Part Number
12	PCB CMY, STATIC GOBO 4U	2550B5623
13	SILICONE PAD CMY, STATIC GOBO PCB	HW6986
18	FAN LED 20CM	B1201
19	FAN LED 16CM 6JB3	B1202
22	RUBBER MOUNT FOR LED FANS	HW60004

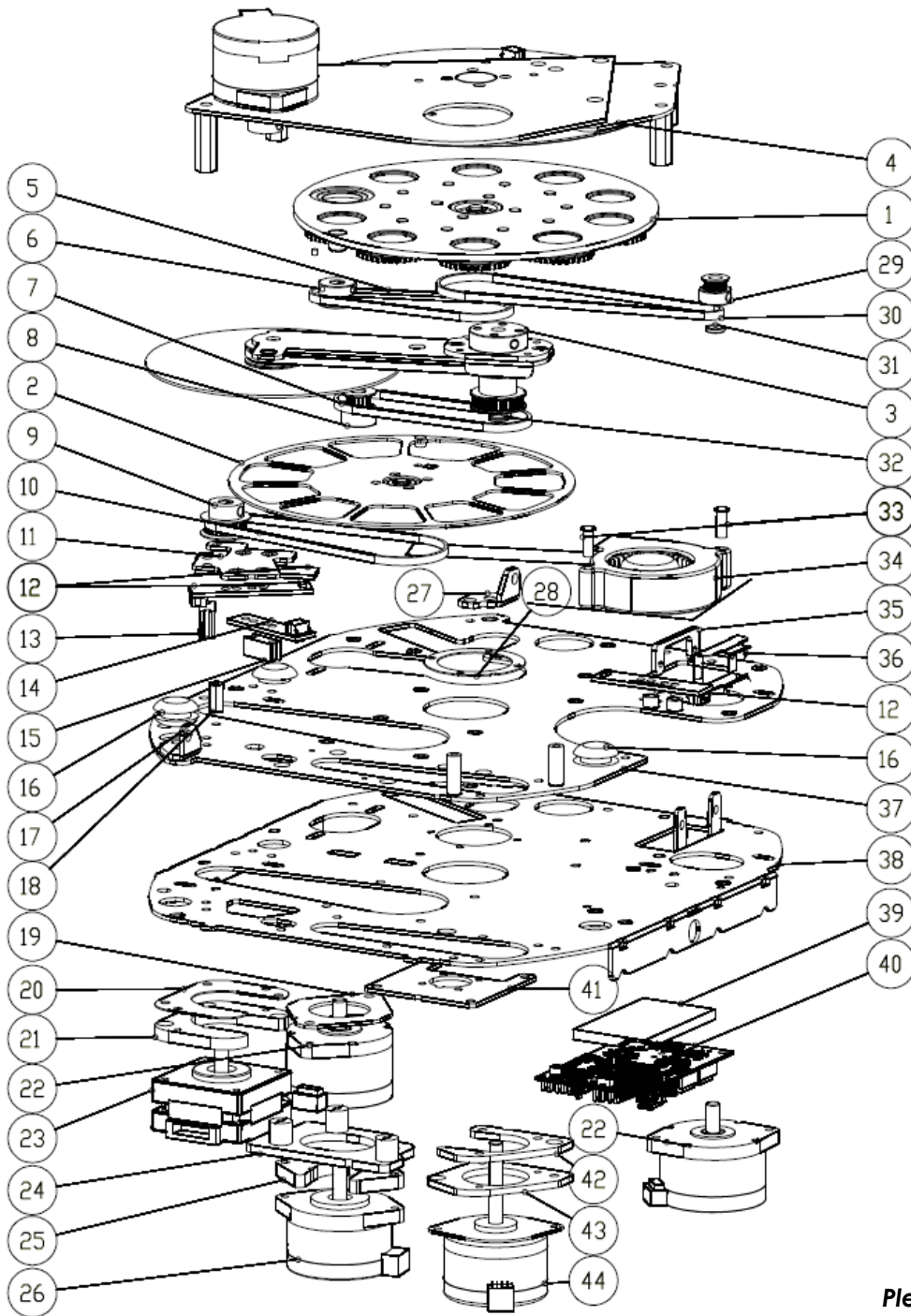


Please contact HES service for any part numbers that are not listed



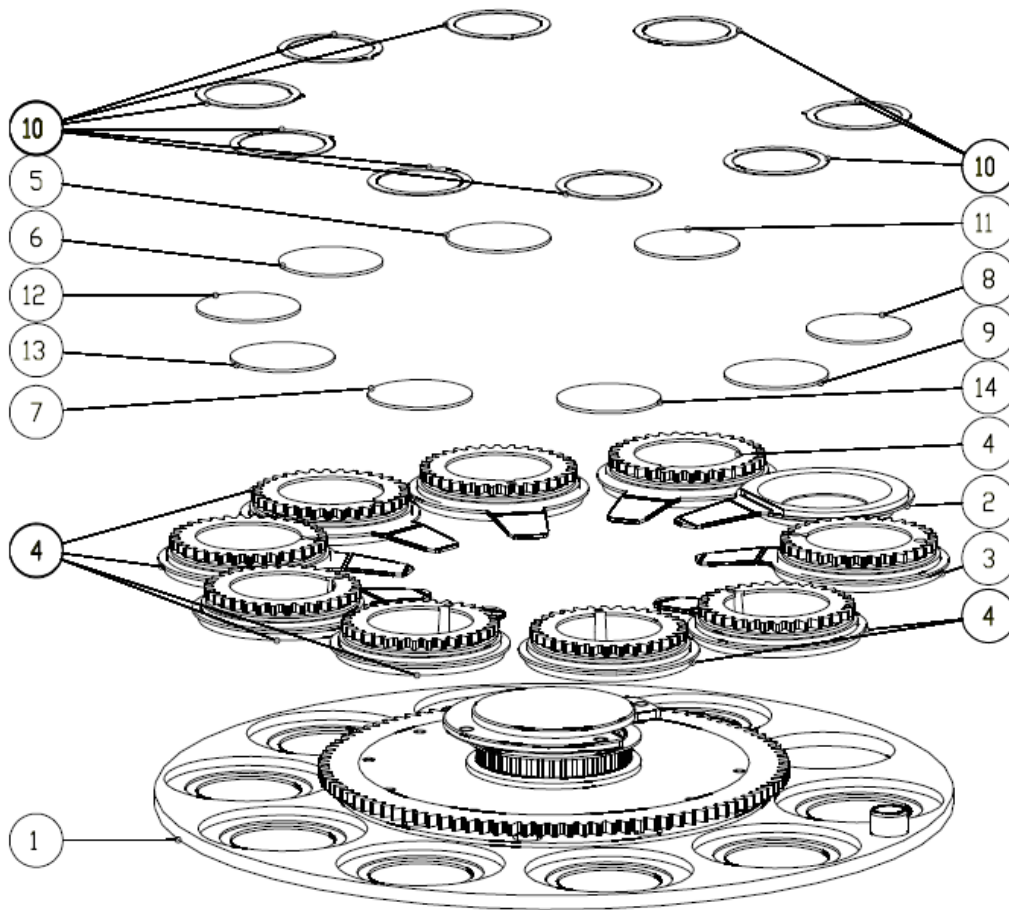
Ref. No,	HES Description	HES Part Number
1	FLAG MAGENTA BOTTOM WITH MAGNET	2550A4528
2	FLAG MAGENTA TOP	2550A4527
3	FLAG CYAN BOTTOM	2550A4526
4	FLAG CYAN TOP WITH MAGNET	2550A4525
5	FLAG YELLOW BOTTOM	2550A4524
6	FLAG YELLOW TOP WITH MAGNET	2550A4523
9	COLOR MIX FLAG RAIL	2550A3016
11	COLOR MIX PULLEY	2582A3023
19	MOTOR CYAN	B2204
20	BELT COLOR MIX	HW9609
23	SENSOR CYAN	2550B5622
33	MOTOR YELLOW	B2206
33	SENSOR YELLOW	2595B5014
34	SENSOR MAGENTA	2550B5621
36	MOTOR MAGENTA	B2205

Please contact HES service for any part numbers that are not listed



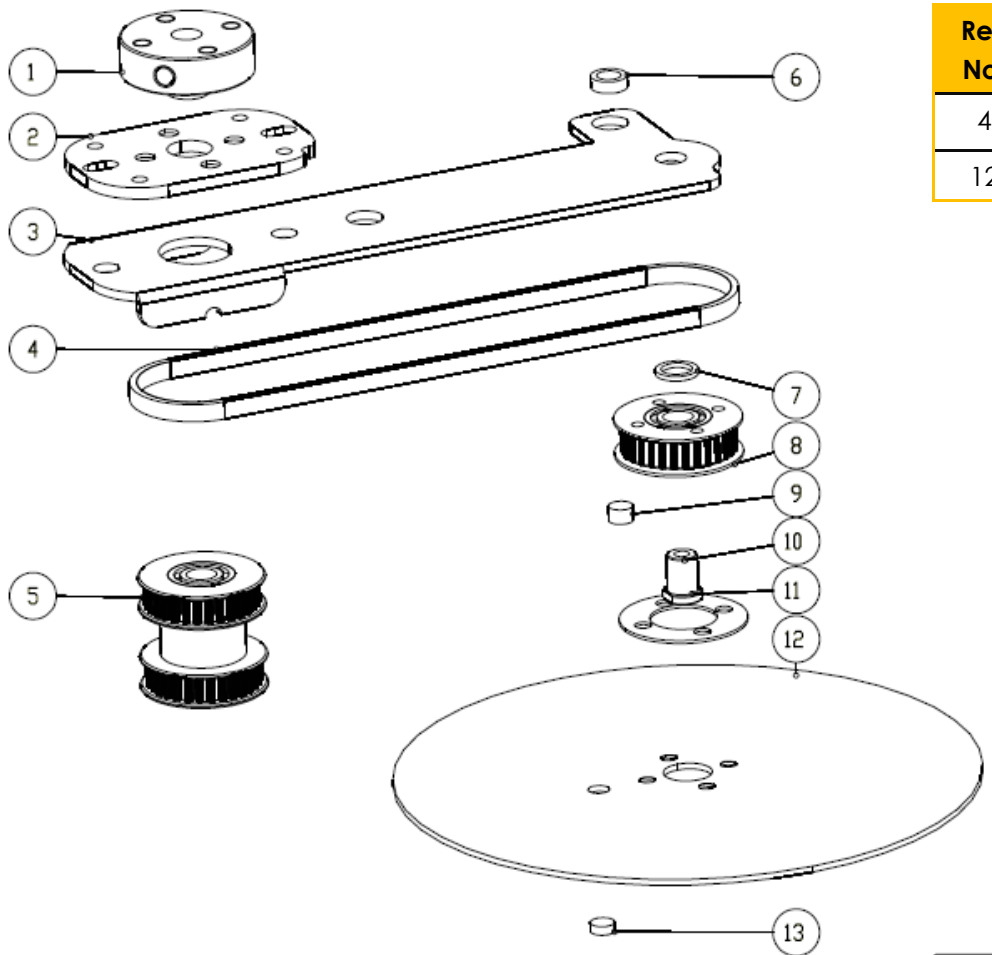
Ref. No.	HES Description	HES Part Number
1	WHEEL GOBO ASSEMBLY	2550A2519
2	WHEEL COLOR ASSEMBLY	2550A2518
3	WHEEL ANIMATION ASSEMBLY	2550A2009
5	BELT GOBO WHEEL	H7170068
7	BELT ANIMATION ROTATE	2550A5002
10	BELT COLOR WHEEL	HW9610
14	SENSOR COLOR WHEEL	2595B5014
22	MOTOR GOBO ROTATE, ROTATING GOBO WHEEL	B2208
23	MOTOR COLOR WHEEL	B2207
26	MOTOR ANIMATION ROTATE, STATIC GOBO WHEEL	B2202
30	BELT GOBO ROTATE	HW9613
34	FAN GOBO MODULE	B1204
39	SILICONE PAD GOBO PCB	HS218
40	PCB GOBO MODULE 7U	2550B5618
44	MOTOR ANIMATION ACCUTATE	B2201

Please contact HES service for any part numbers that are not listed



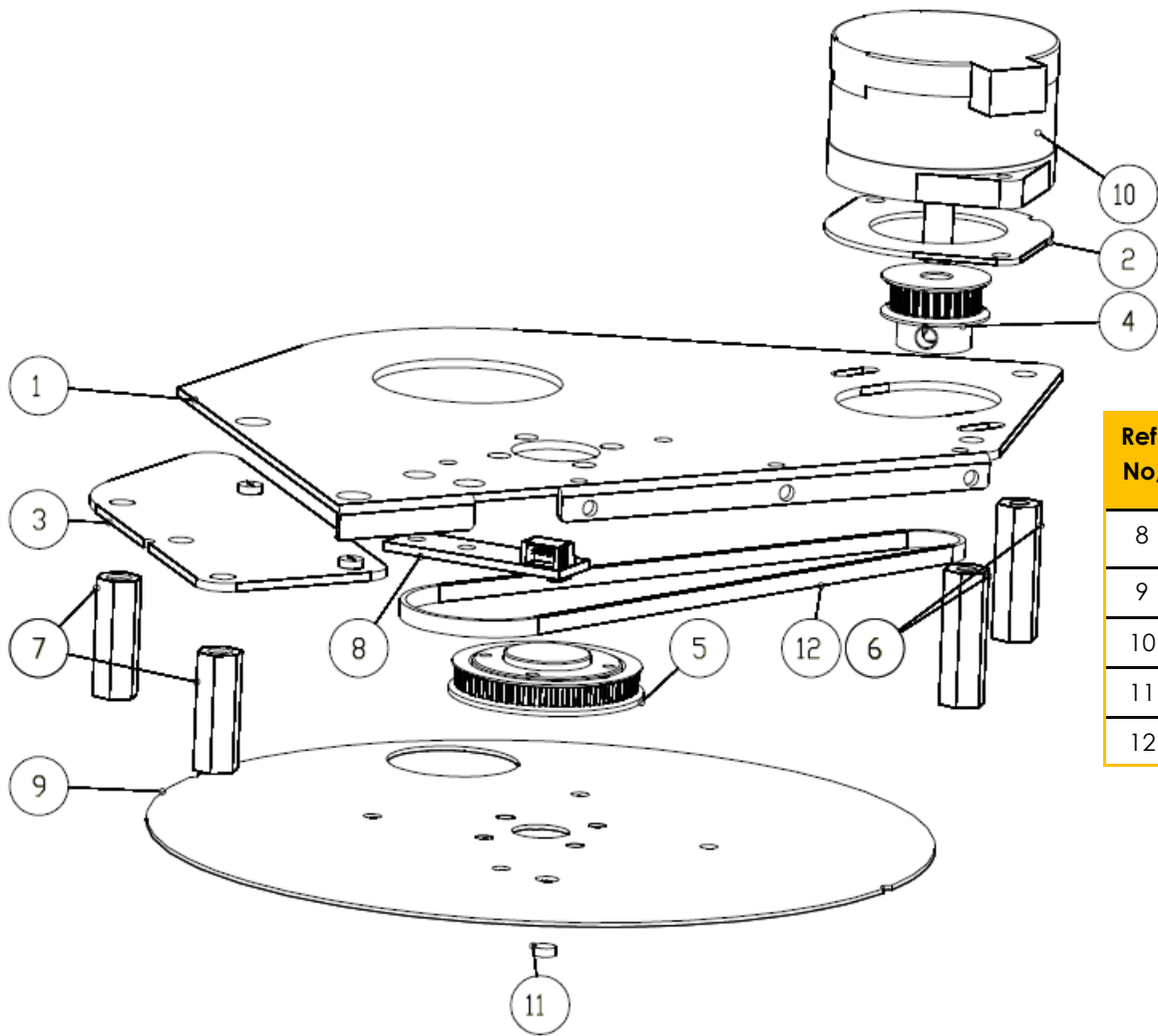
Ref. No,	HES Description	HES Part Number
3	GOBO HOLDER WITH MAGNET	2550A3003
4	GOBO HOLDER	2550A3002
5	GOBO POSITION 2 STARVOLVER	2550A2502
6	GOBO POSITION 3 FRACKED	2550A2503
7	GOBO POSITION 6 GLACIAL	2550A2506
8	GOBO POSITION 9 BRANCH OUT	2550A2509
9	GOBO POSITION 8 ICE	2550A2508
10	GOBO APERTURE RING	2550A3001
11	GOBO POSITION 1 BAR	2550A2501
12	GOBO POSITION 4 BROKEN TUNNEL	2550A2504
13	GOBO POSITION 5 SEASHELL	2550A2505
14	GOBO POSITION 7 SHOWER	2550A2507
	NOT SHOWN ON DRAWING	
	GOBO SPRING	2550A4013
	GOBO SPRING FOR ICE GOBO	2550A4014

Please contact HES service for any part numbers that are not listed



Ref. No.	HES Description	HES Part Number
4	BELT ANIMATION ROTATE LONG	HW9608
12	WHEEL ANIMATION	2550A3006

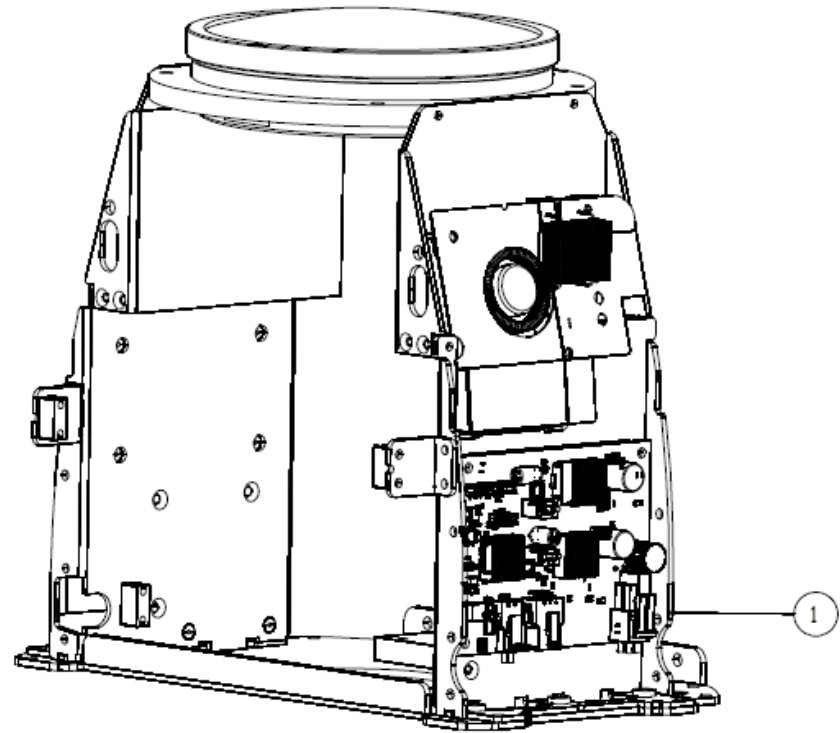
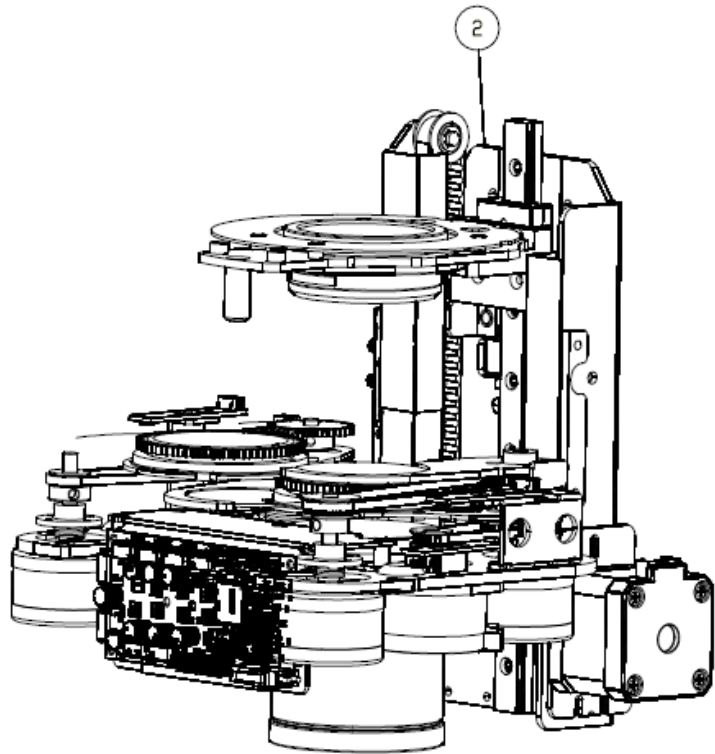
Please contact HES service for any part numbers that are not listed



Ref. No,	HES Description	HES Part Number
8	SENSOR STATIC GOBO WHEEL	2582B5607
9	WHEEL GOBO STATIC	2550A2517
10	MOTOR STATIC GOBO WHEEL	B2202
11	MAGNET STATIC GOBO	B3025
12	BELT STATIC GOBO WHEEL	HWM9008

Please contact HES service for any part numbers that are not listed

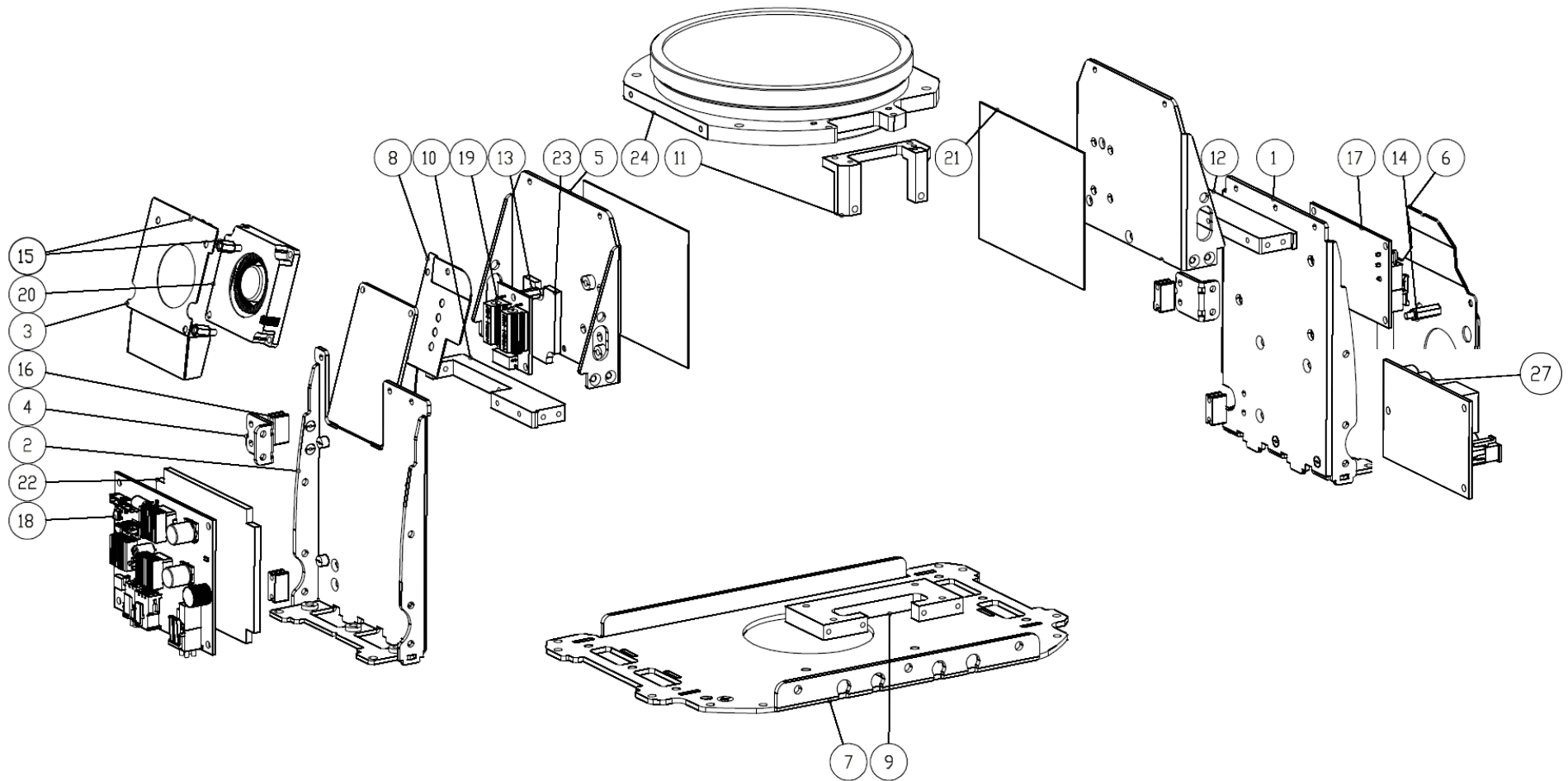
Ref. No.	HES Description	HES Part Number
2	FOCUS, FROST, PRISM, ZOOM ASSEMBLY	2550A2531
1 and 2	MODULE FOCUS ZOOM	2550A2530



Please contact HES service for any part numbers that are not listed

Ref. No.	HES Description	HES Part Number
13	SILICONE PAD RESISTOR PCB	2540A4016
17	PCB HEAD POWER JUNCTION	2550B5612
18	PCB LED 3U	2550B5624
19	PCB 2 RESISTOR	2550B5611
20	FAN FOCUS ZOOM MODULE	B1163

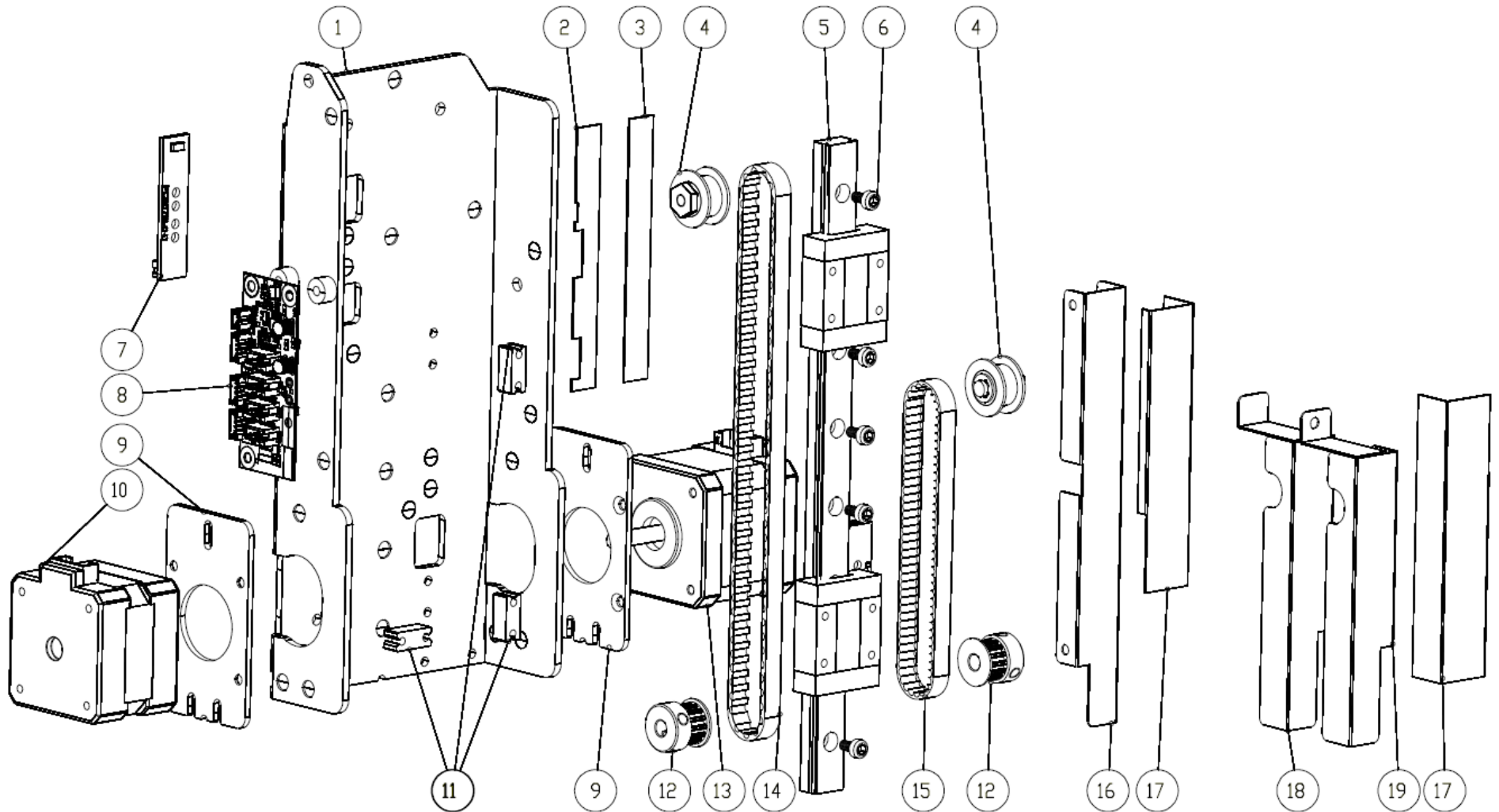
Ref.	HES Description	HES Part Number
22	SILICONE PAD LED PCB	HS217
23	SILICONE PAD RESISTOR PCB	2540A4016
24	LENS OUTPUT	2550A2514
27	PCB HEAD CONVERTER 48V to 28V	2550B5620



Please contact HES service for any part numbers that are not listed

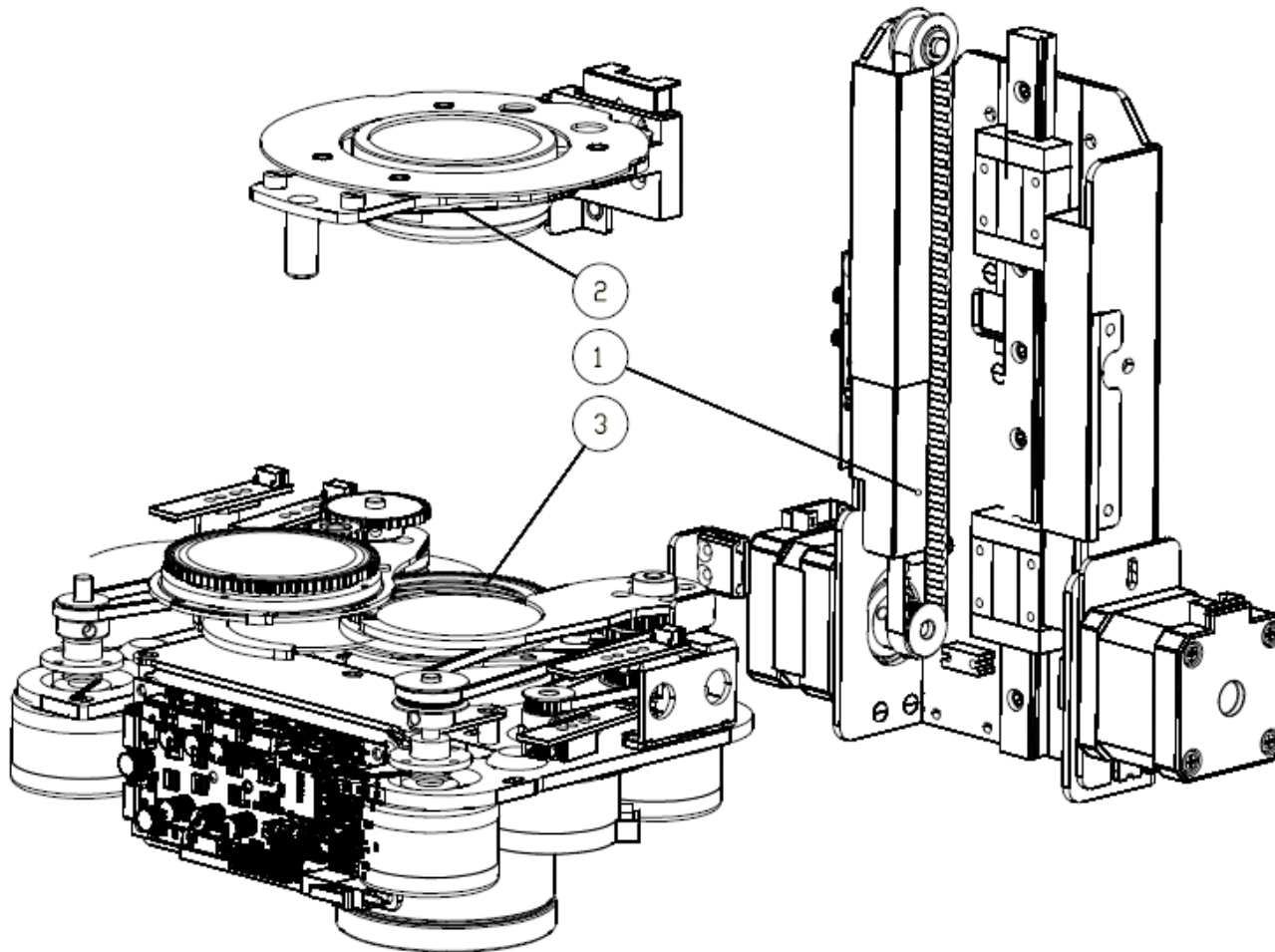
Ref. No.	HES Description	HES Part Number
5	RAIL FOCUS ZOOM	2550A3017
7	SENSOR FOCUS ZOOM	2540B5612
8	PCB FAN ZOOM MODULE 8U	2550B5619
10	MOTOR ZOOM	B2209

Ref.	HES Description	HES Part Number
13	MOTOR FOCUS	B2210
14	BELT ZOOM	HW9617
15	BELT FOCUS	HW9611

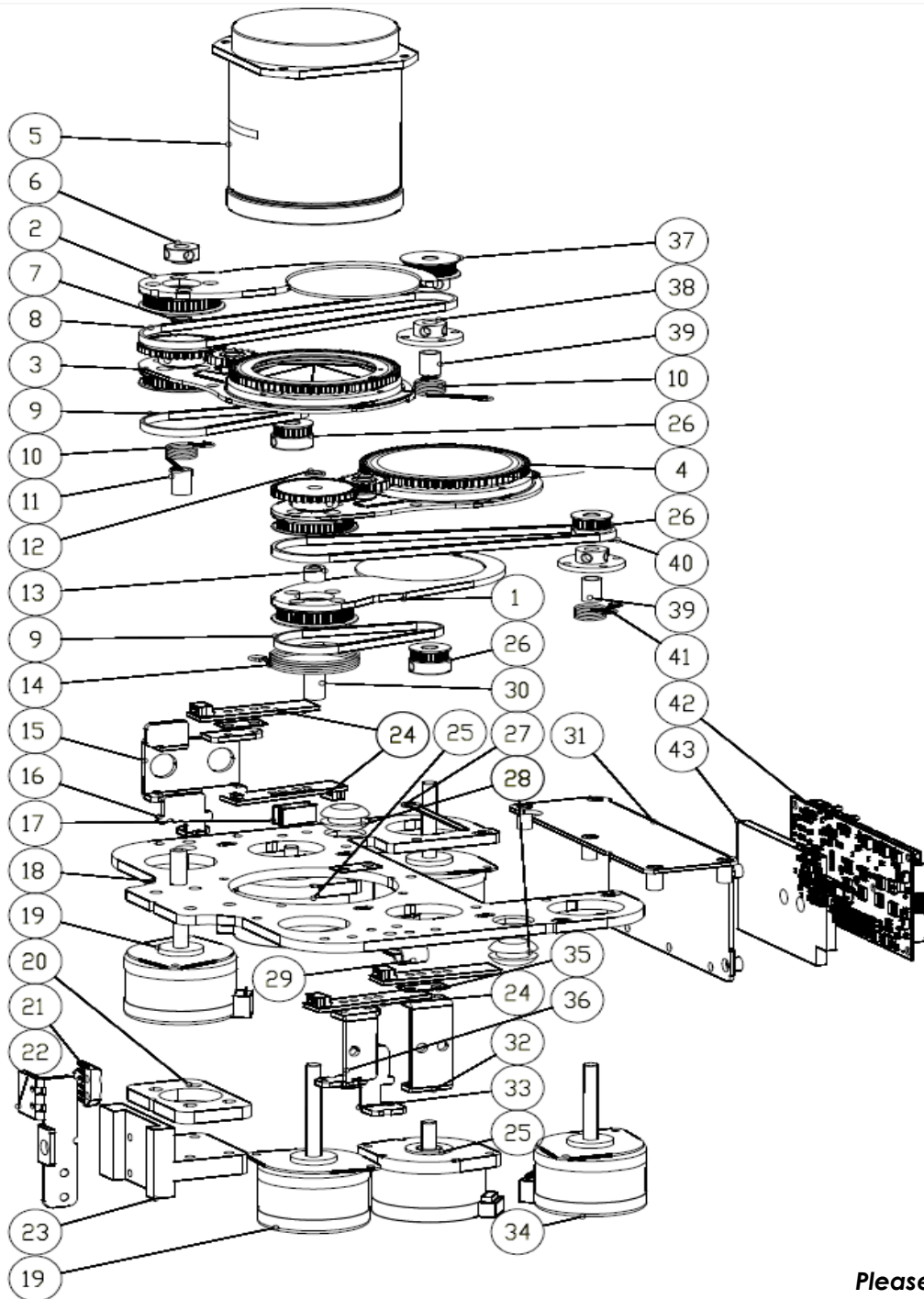


Please contact HES service for any part numbers that are not listed

Ref. No.	HES Description	HES Part Number
2	LENS ZOOM (LENS ONLY, NOT ASSEMBLY)	2550A2515
1,2,3	FOCUS, FROST, PRISM, ZOOM ASSEMBLY	2550A2531



Please contact HES



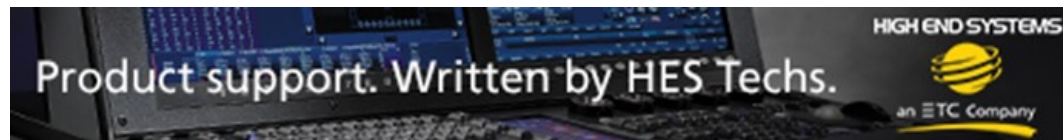
Ref. No.	HES Description	HES Part Number
1	FROST LIGHT	2550A4519
2	FROST MEDIUM	2550A4518
3	PRISM 5 FACET	2550A2513
4	PRISM LINEAR	2550A2511
5	LENS FOCUS	2550A2516
8	BELT MEDIUM FROST	HW9576
9	BELT LIGHT FROST, PRISM	HW9607
10	SPRING 5 FACET PRISM, MEDIUM FROST	2540A3007
14	SPRING LIGHT FROST	2550A4020
19	MOTOR LINEAR AND 5 FACET PRISM ROTATE	B2211
24	SENSOR PRISMS	2540B5612
25	MOTOR LIGHT FROST, 5 FACET PRISM ACTUATE	B2208
34	MOTOR MEDIUM FROST LINEAR PRISM	B2201
40	BELT LINEAR PRISM ACTUATE	2550A5001
41	SPRING LINER PRISM	2540A3008
42	PCB FOCUS FROST PRISM ZOOM 5U	2550B5616
43	SILICONE PAD FOCUS ZOOM PCB	HW60025

Please contact HES service for any part numbers that are not listed

Hyperstar PCB Identifiers

PCB Software ID	Controls
1U	Display
2U	Pan, Tilt
3U	Dimmer
4U	Cyan, Magenta, Yellow
5U	Focus, Frost, Prism, Prism Rot, Zoom
6U	LED Fan
7U	Color 1, Gobo 1, Gobo 1 Rot, Animation, Animation Rot
8U	Zoom Module Fan

Check out support.etcconnect.com/HES for support articles, tips and tricks!



For all other questions/request please email HESservice@etcconnect.com