



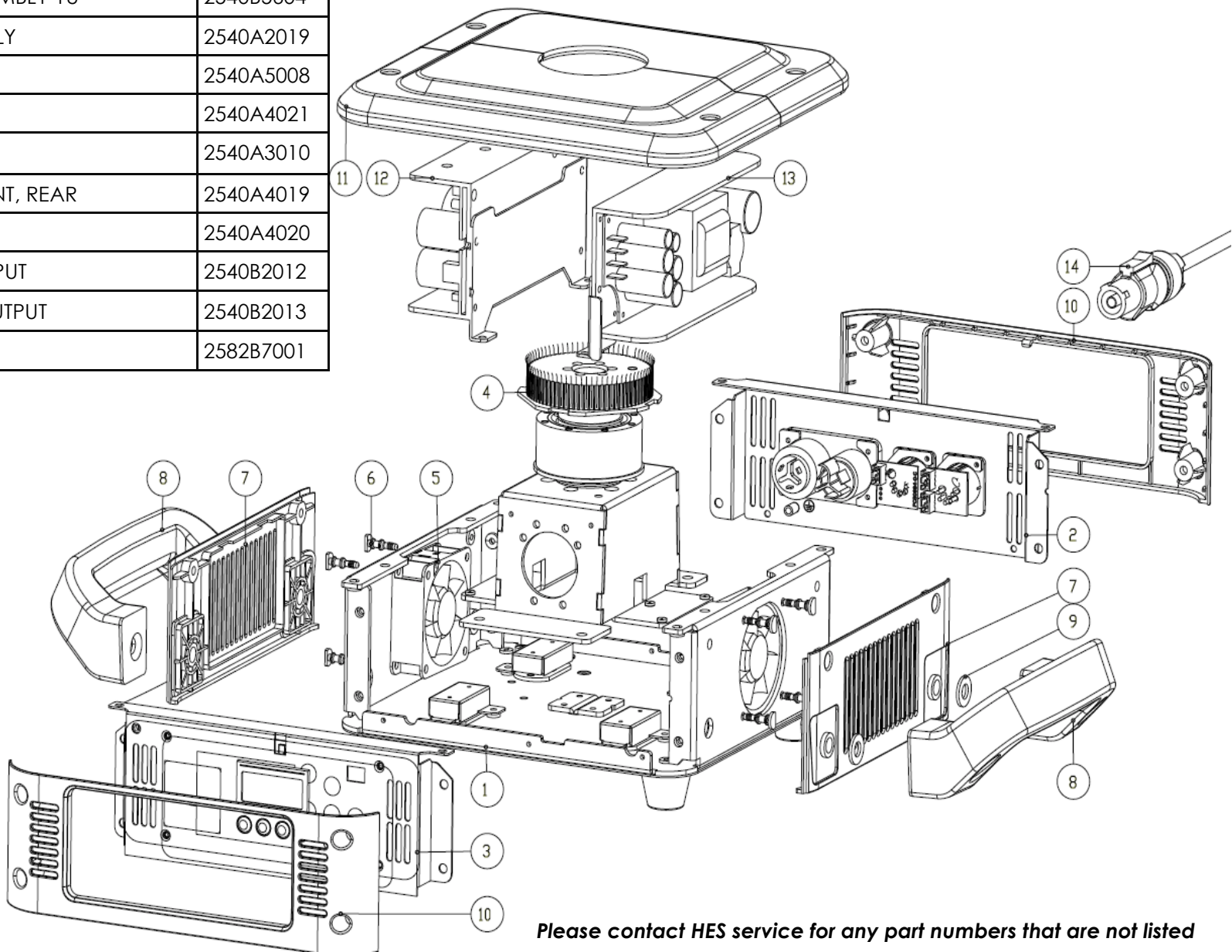
HIGH END SYSTEMS

Exploded Diagram **Ministar**



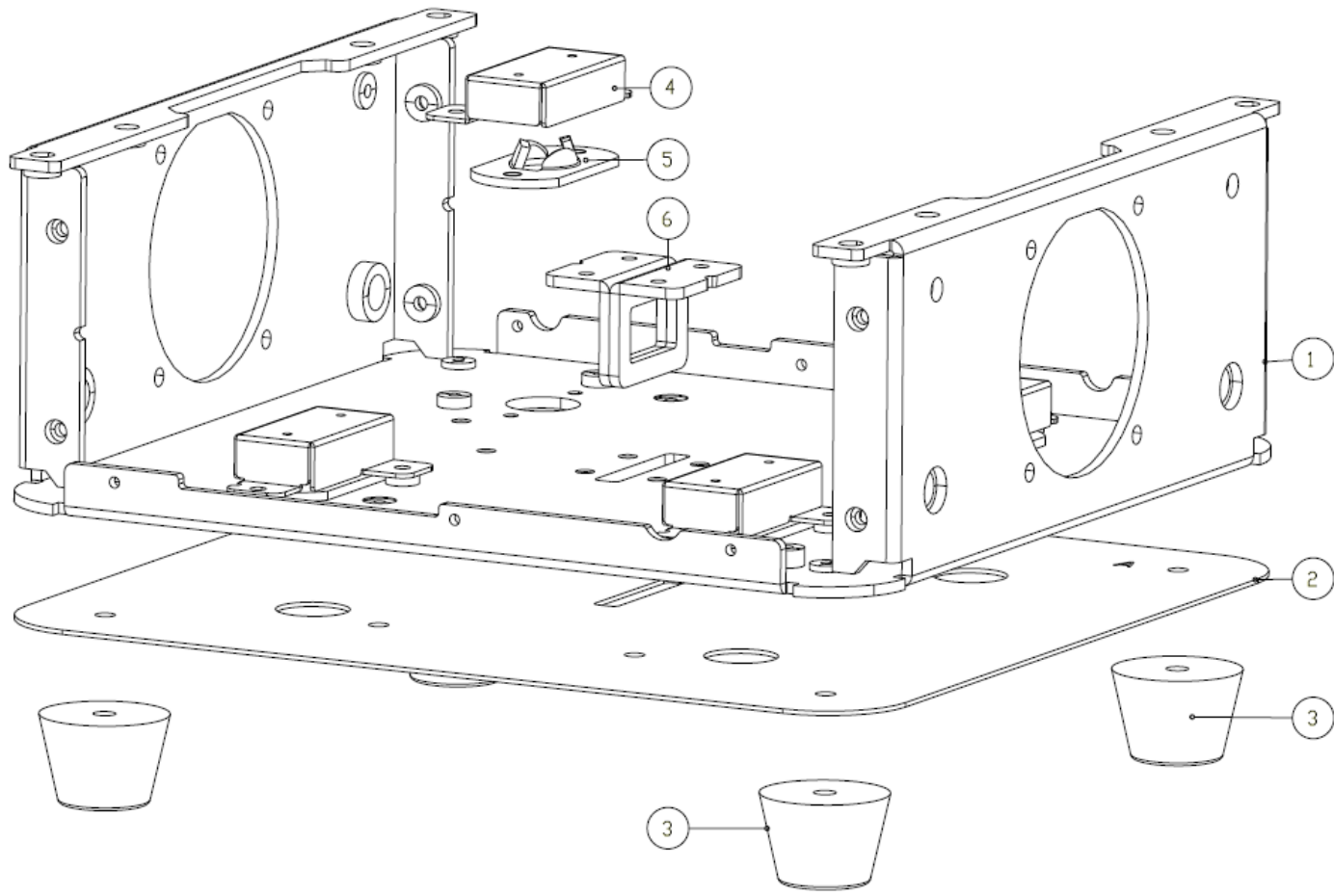
Part Number	Color	Packaging
2540A1100-B	Black	Ultra-Bright in Molded Insert, Boxed
2540A1100-1B	White	Ultra-Bright in Molded Insert, Boxed
2540A1020		Top Hat, Snoot for Ministar

Ref. No.	HES Description	HES Part Number
2	REAR PANEL ASSEMBLY	2540A2021
3	PCB DISPLAY ASSEMBLY 1U	2540B5604
4	PAN TUBE ASSEMBLY	2540A2019
5	FAN BASE	2540A5008
7	COVER BASE SIDE	2540A4021
8	HANDLE BASE	2540A3010
10	COVER BASE FRONT, REAR	2540A4019
11	COVER BASE LID	2540A4020
12	POWER SUPPLY INPUT	2540B2012
13	POWER SUPPLY OUTPUT	2540B2013
14	POWER CORD	2582B7001



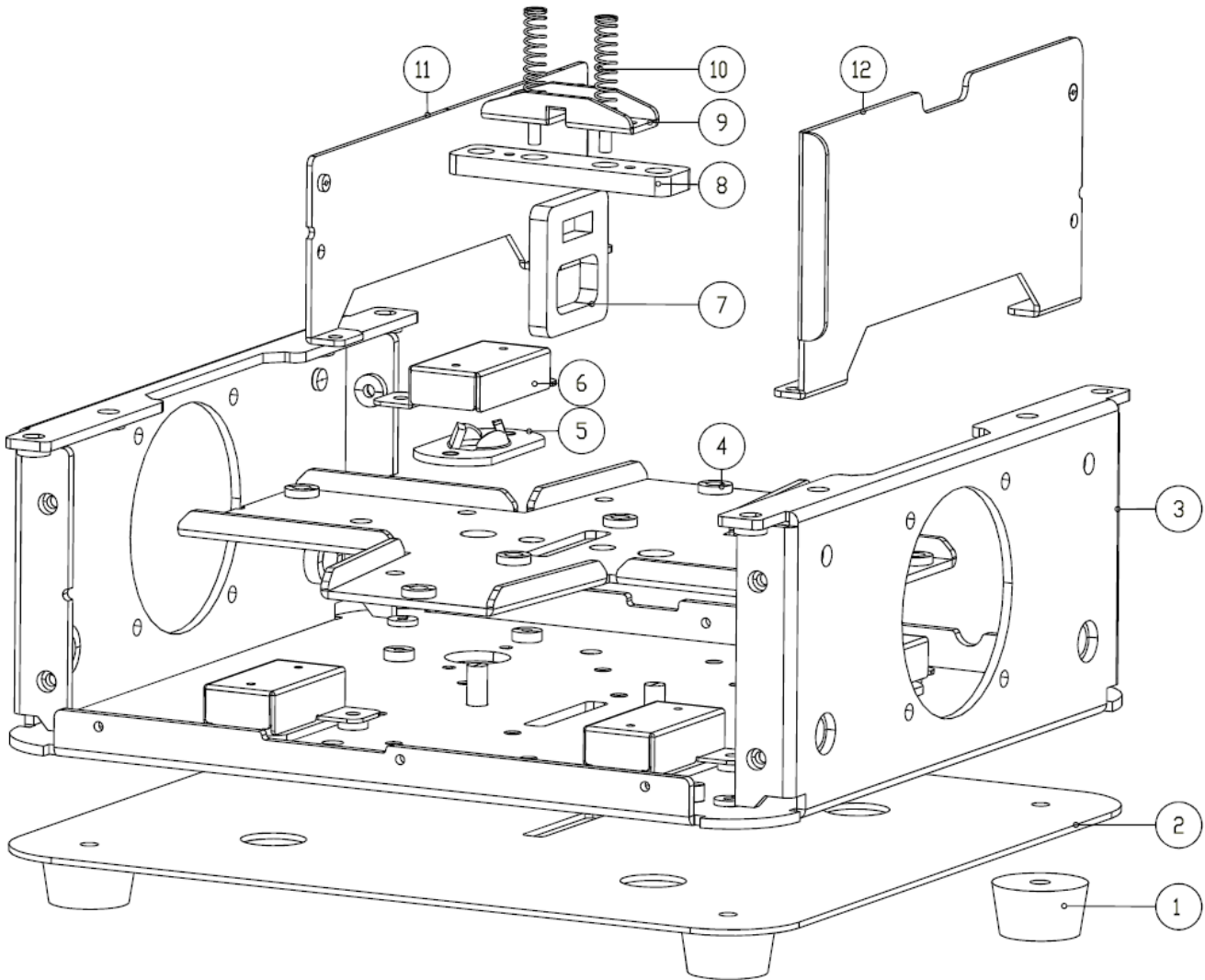
Please contact HES service for any part numbers that are not listed

Ref. No.	HES Description	HES Part Number
2	COVER BASE BOTTOM PLATE	2540A3012
3	RUBBER FOOT	2540A4014
5	RECEPTACLE TRUSS MOUNT BRACKET	2582A3019



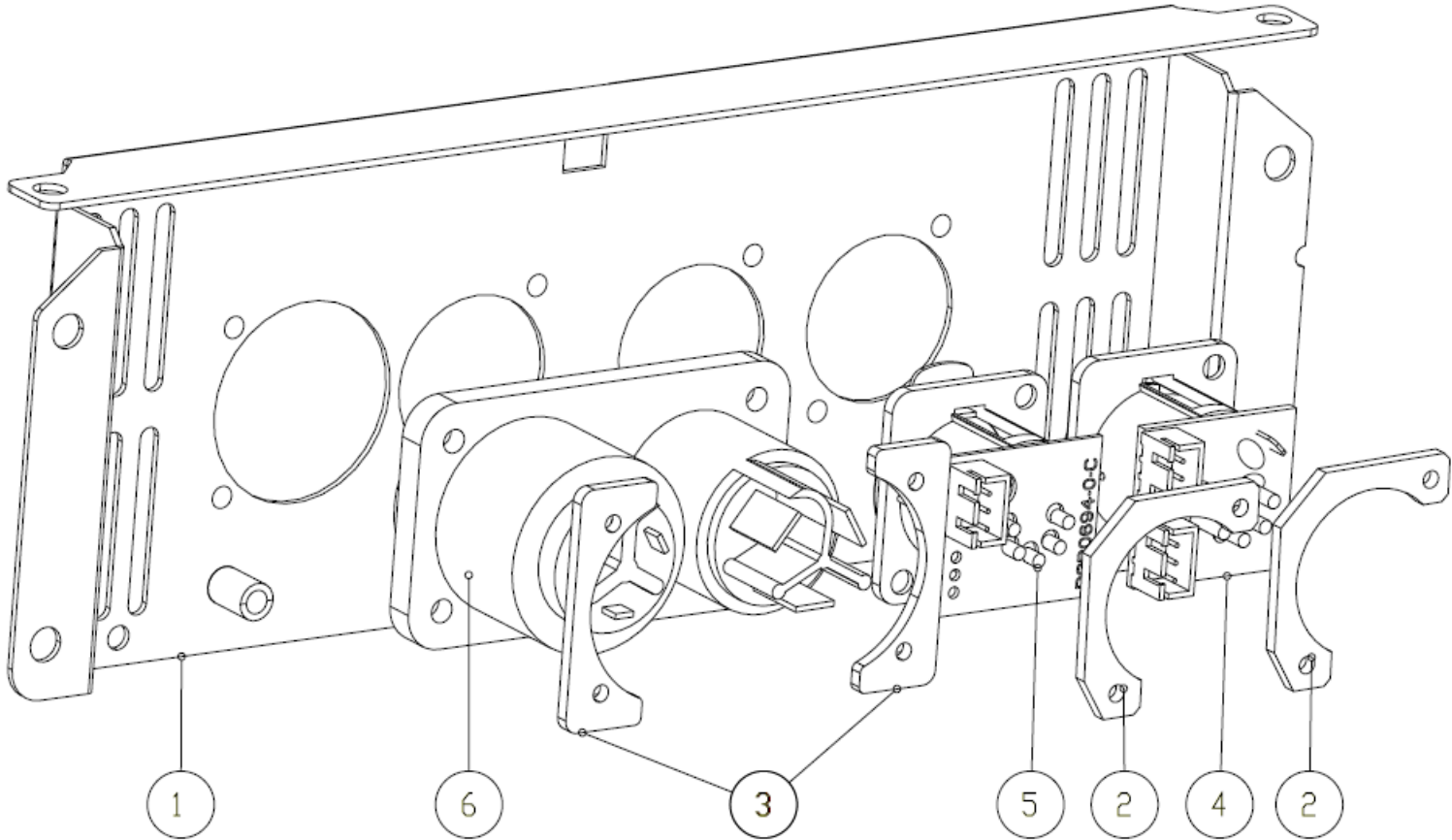
Please contact HES service for any part numbers that are not listed

Ref. No.	HES Description	HES Part Number
1	RUBBER FOOT	HW60003
2	COVER BASE BOTTOM	2550A3013
5	RECEPTACLE TRUSS BRACKET	2582A3019



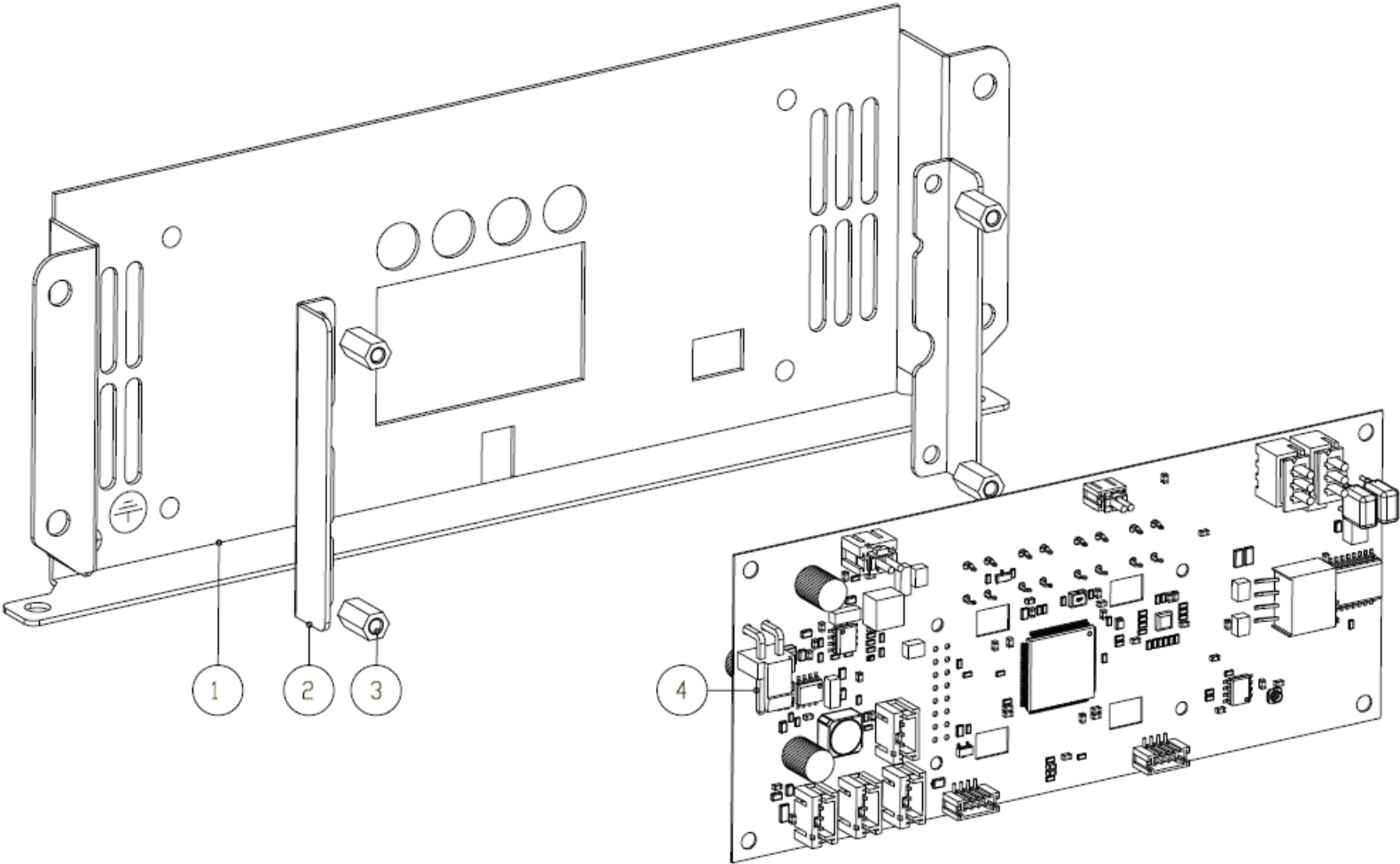
Please contact HES service for any part numbers that are not listed

Ref. No.	HES Description	HES Part Number
1	REAR PANEL	2540A3013
4	XLR MALE	2582B5626
5	XLR FEMALE	2582B5627
6	POWER SOCKET	J2556



Please contact HES service for any part numbers that are not listed

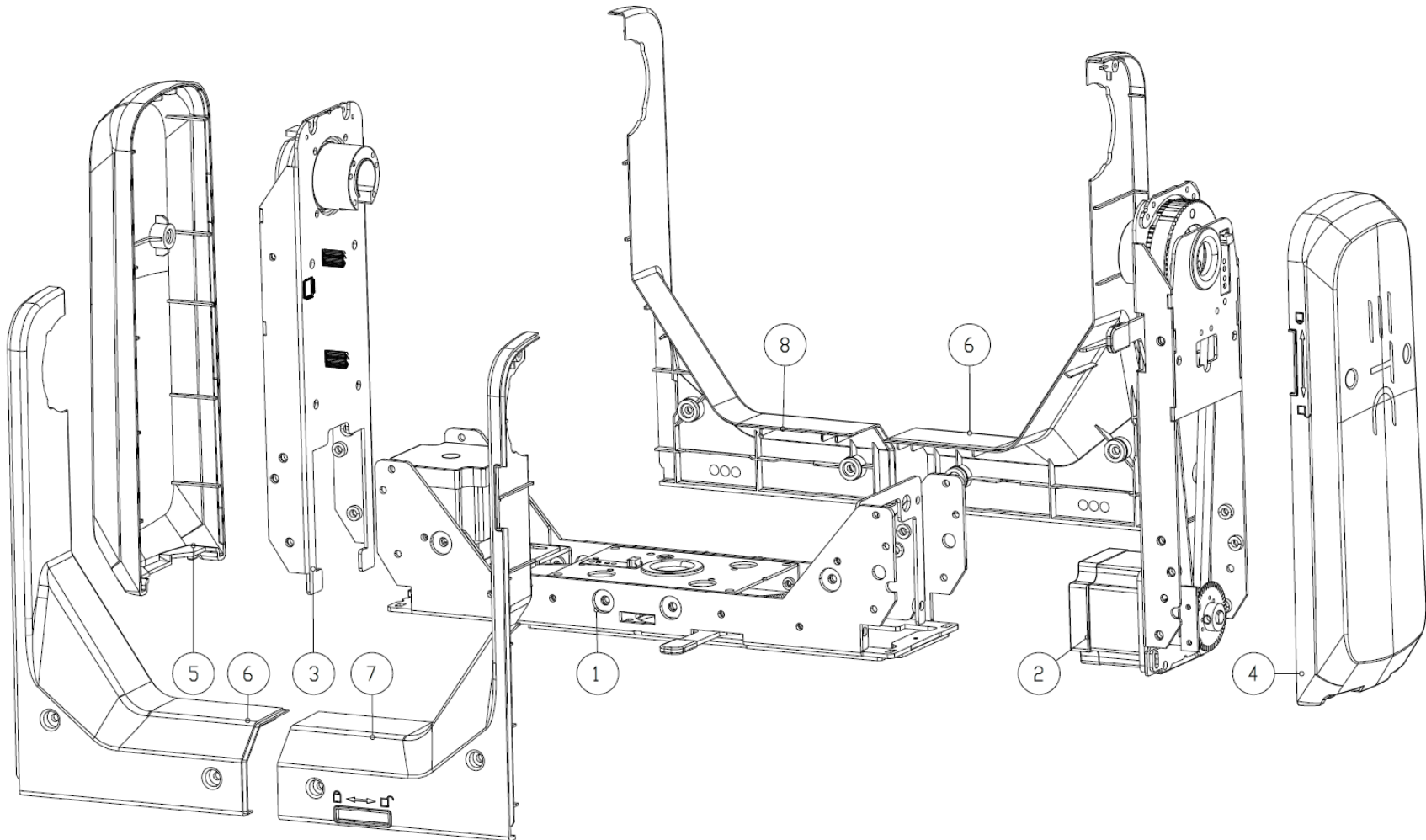
Ref. No.	HES Description	HES Part Number
4	PCB DISPLAY 1U	2540B5603



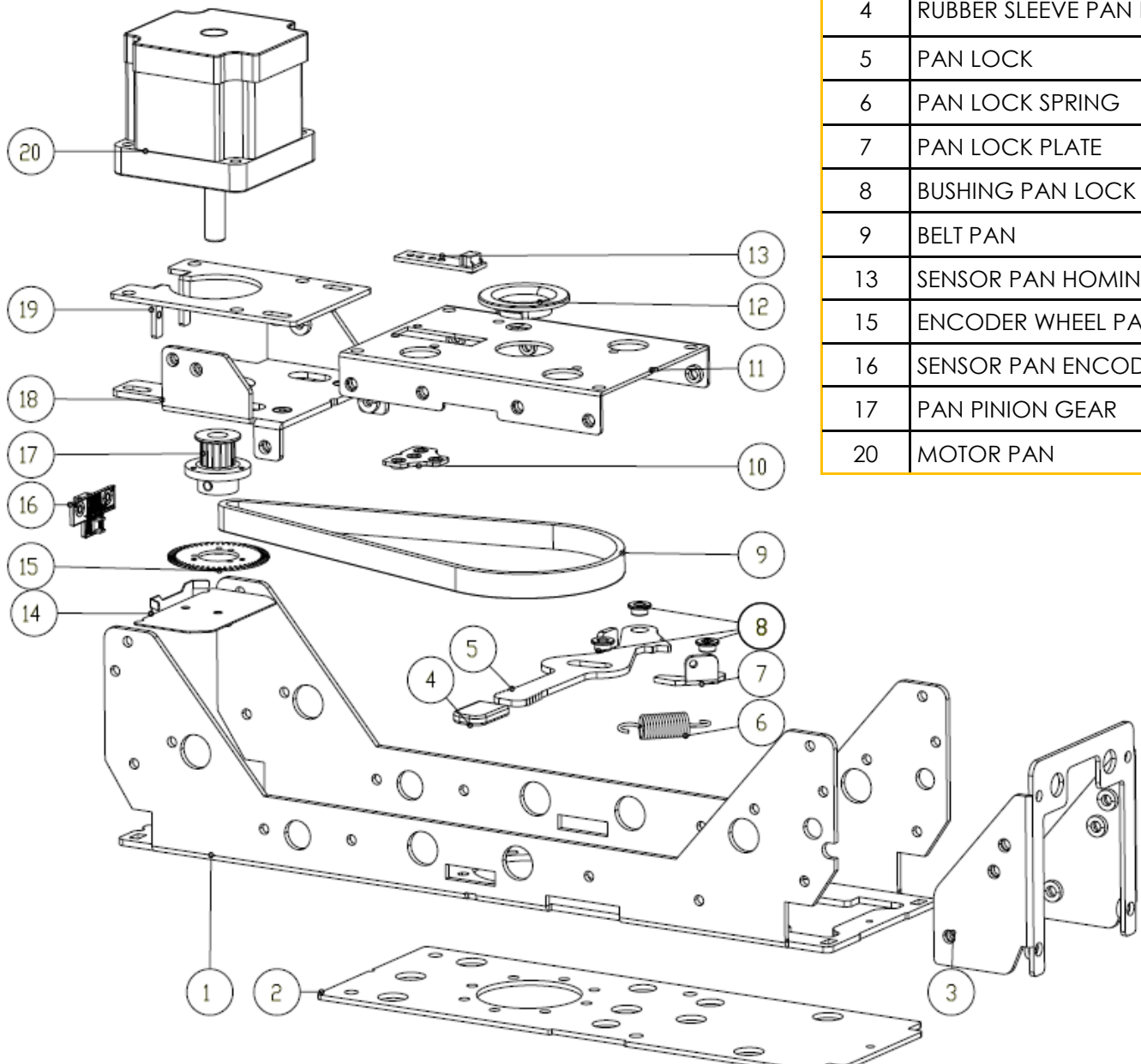
Please contact HES service for any part numbers that are not listed

Ref. No.	HES Description	HES Part Number
1	YOKE ASSEMBLY BASE	2540A2027
2	YOKE ASSEMBLY LOCK SIDE	2540A2028
3	YOKE ASSEMBLY PCB SIDE	2540A2029
4	COVER YOKE ARM LOCK SIDE	2540A4025

Ref. No.	HES Description	HES Part Number
5	COVER YOKE ARM	2540A4024
6	COVER YOKE FRONT LEFT, REAR RIGHT	2540A4026
7	COVER YOKE FRONT RIGHT	2540A4027
8	COVER YOKE REAR LEFT	2540A4028

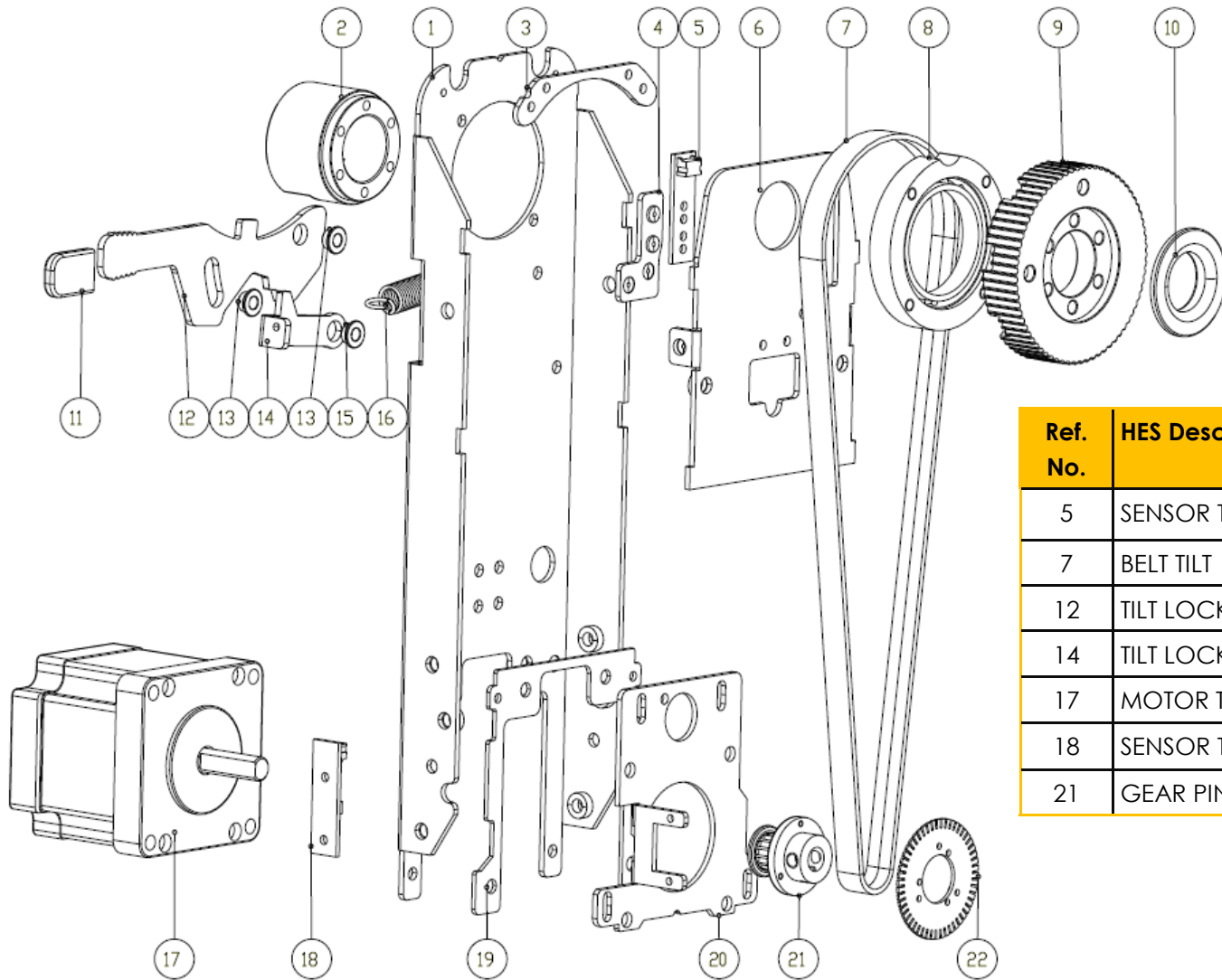


Please contact HES service for any part numbers that are not listed



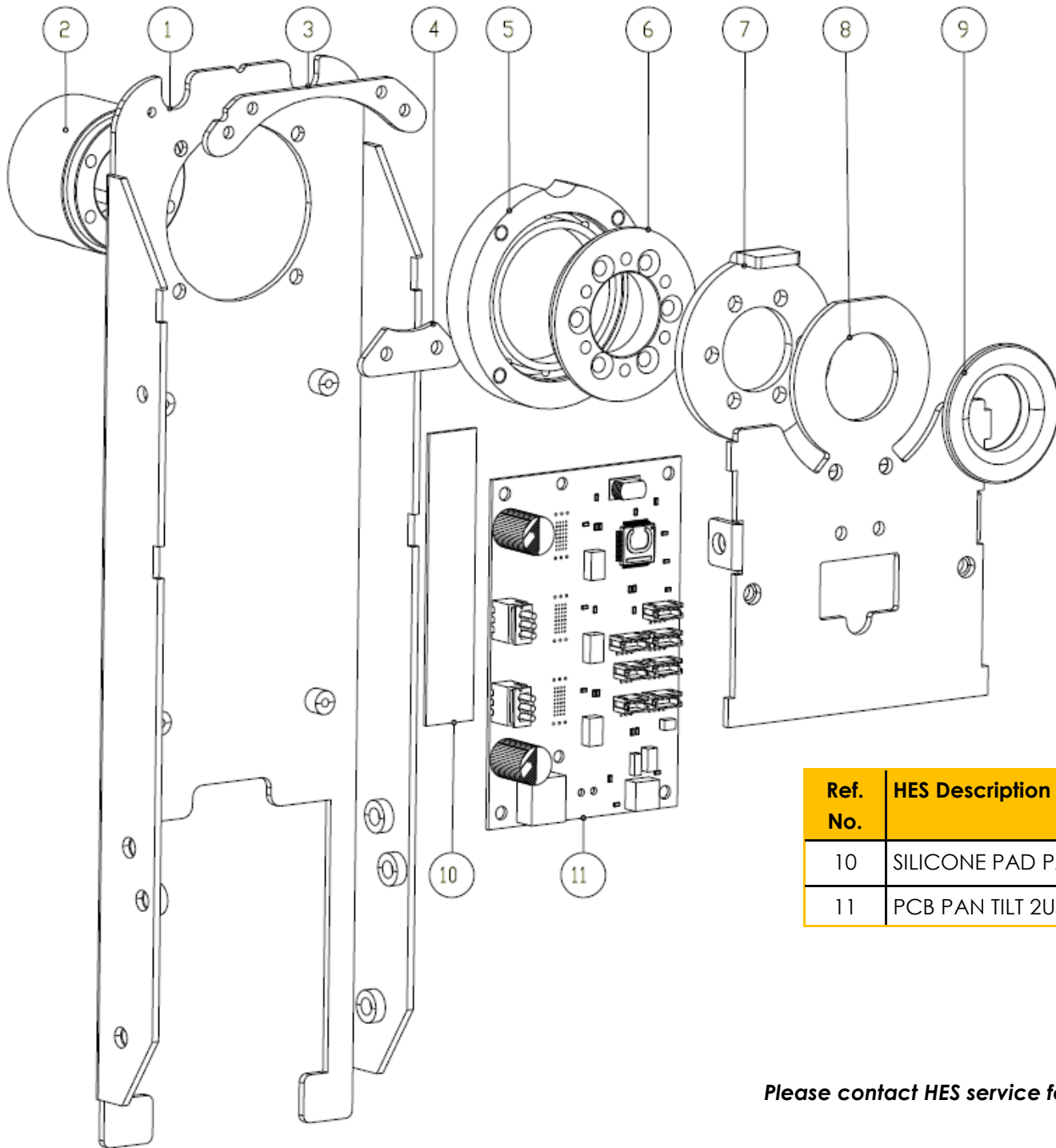
Ref. No.	HES Description	HES Part Number
4	RUBBER SLEEVE PAN LOCK	2582A3020
5	PAN LOCK	2550A2007
6	PAN LOCK SPRING	HW7483
7	PAN LOCK PLATE	2595A3006
8	BUSHING PAN LOCK	2582A3014
9	BELT PAN	HW9616
13	SENSOR PAN HOMING	2591A4035
15	ENCODER WHEEL PAN	2540A3001
16	SENSOR PAN ENCODER	2582B5601
17	PAN PINION GEAR	2540A3011
20	MOTOR PAN	2540B2010

Please contact HES service for any part numbers that are not listed



Ref. No.	HES Description	HES Part Number
5	SENSOR TILT HOMING	2582B5604
7	BELT TILT	2540A5003
12	TILT LOCK	2540A3009
14	TILT LOCK PLATE	2550A3012
17	MOTOR TILT	2540B2009
18	SENSOR TILT ENCODER	2594B5004
21	GEAR PINION TILT	2595A3001

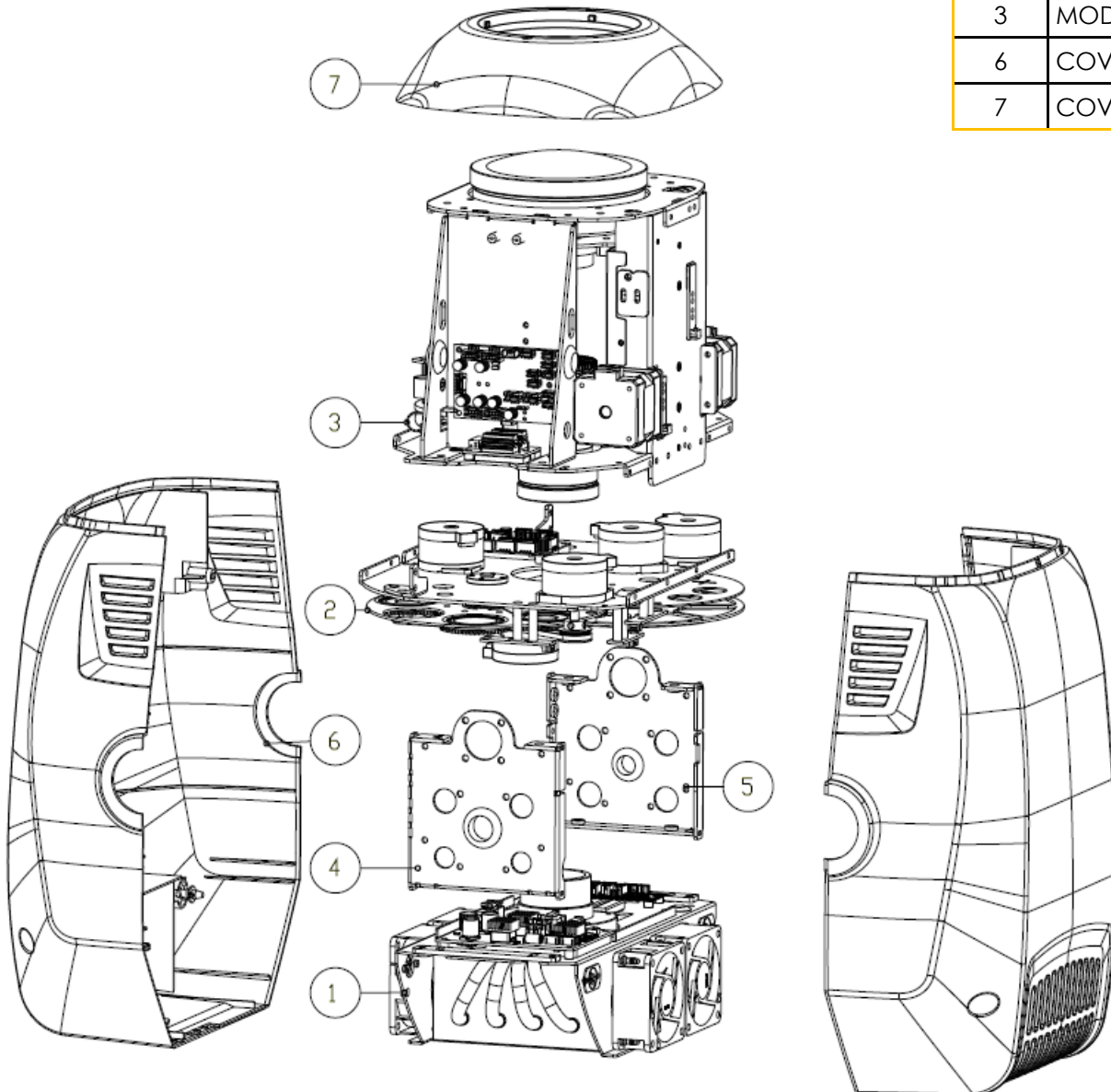
Please contact HES service for any part numbers that are not listed



Ref. No.	HES Description	HES Part Number
10	SILICONE PAD PAN TILT PCB	HW6984
11	PCB PAN TILT 2U	2540B5608

Please contact HES service for any part numbers that are not listed

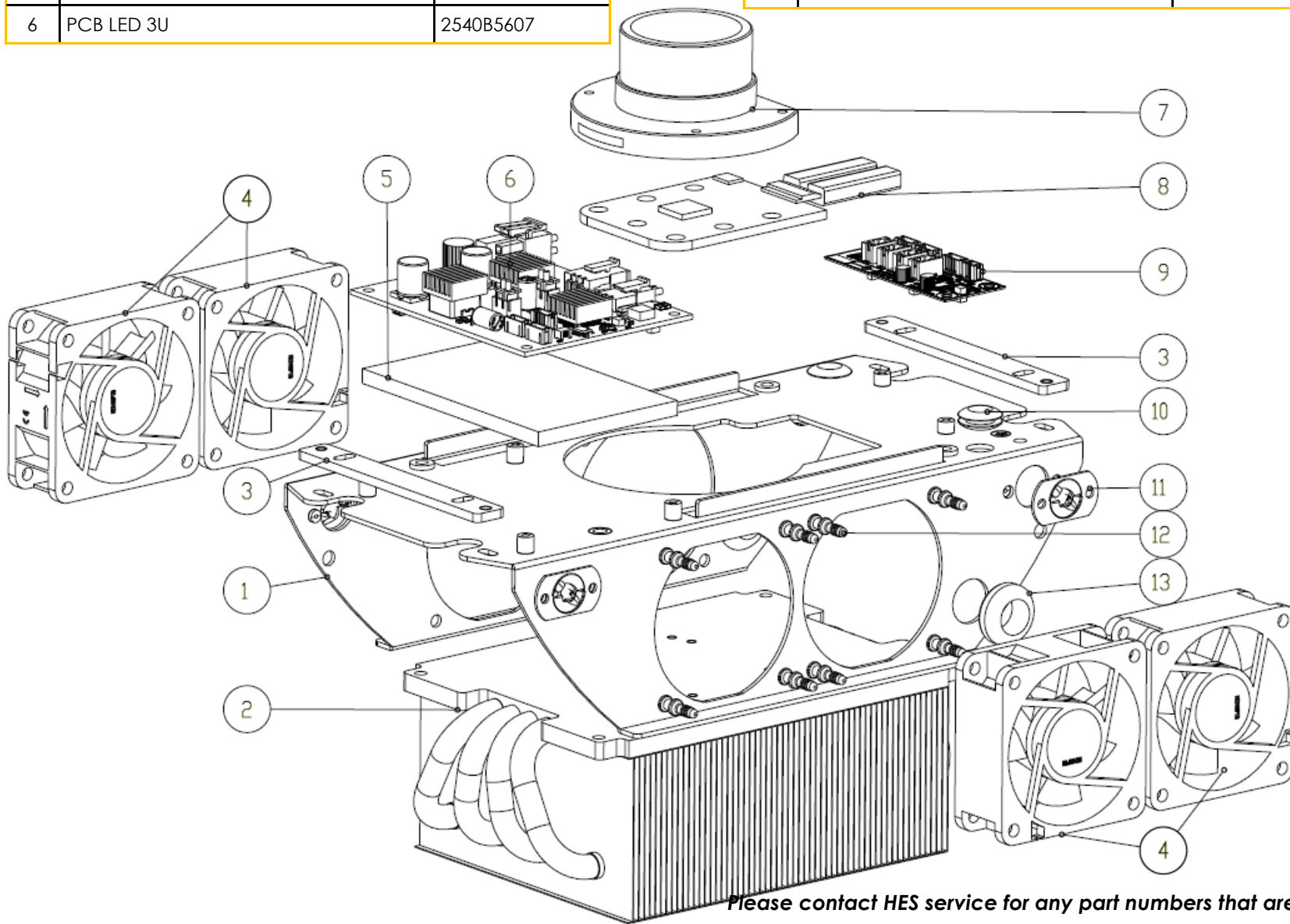
Ref. No.	HES Description	HES Part Number
2	MODULE COLOR GOBO	2540A2017
3	MODULE FOCUS ZOOM MINISTAR	2540A2018
6	COVER HEAD	2540A4023
7	COVER HEAD FRONT	2540A4022



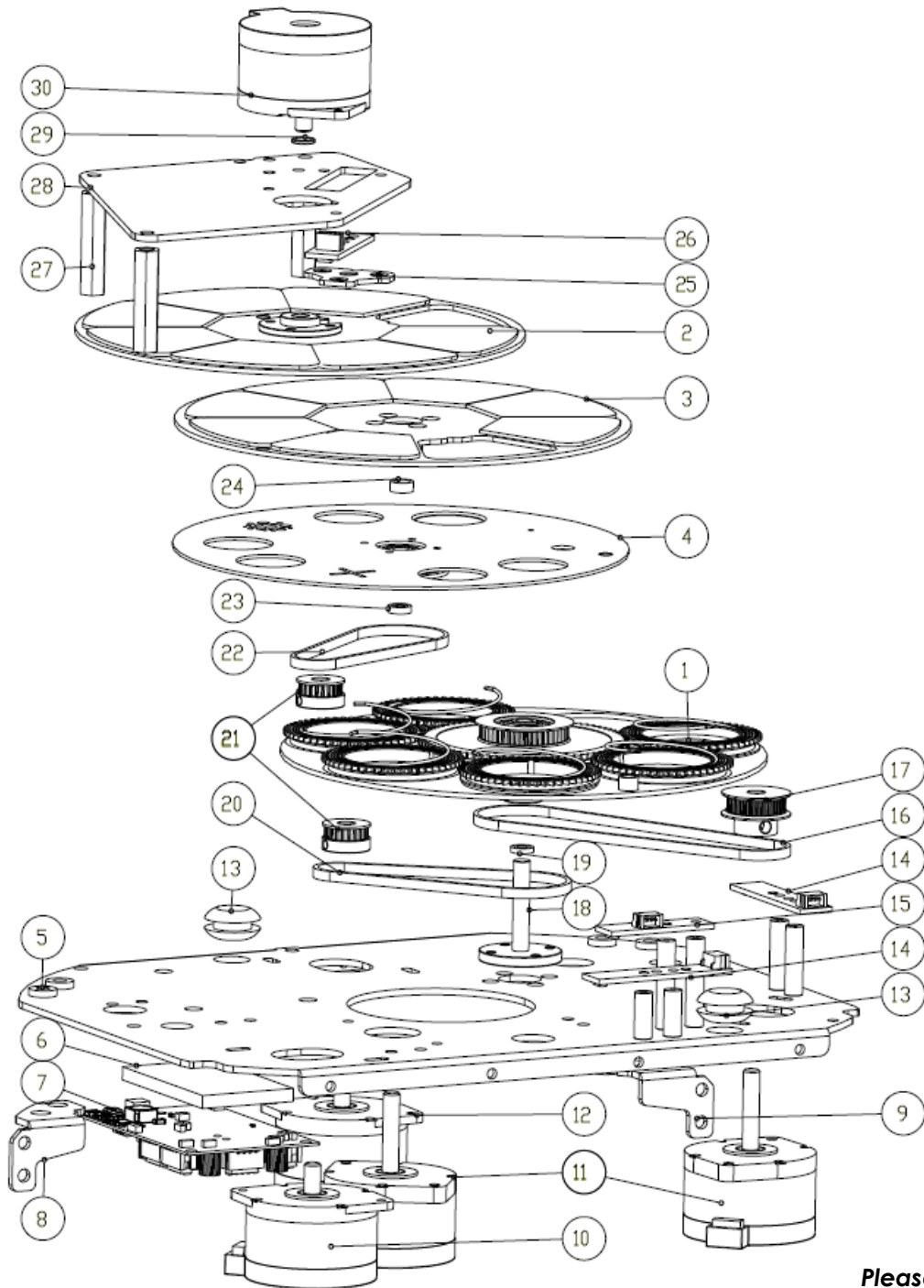
Please contact HES service for any part numbers that are not listed

Ref. No.	HES Description	HES Part Number
2	LED HEATSINK	2540A3014
4	FAN LED	2540A5007
5	SILICONE PAD LED PCB	2540A4015
6	PCB LED 3U	2540B5607

Ref. No.	HES Description	HES Part Number
8	LED LIGHT ENGINE	2540K1002
9	PCB FAN 6U	2540B5605
11	RETAINER HEAD COVER	H7300158

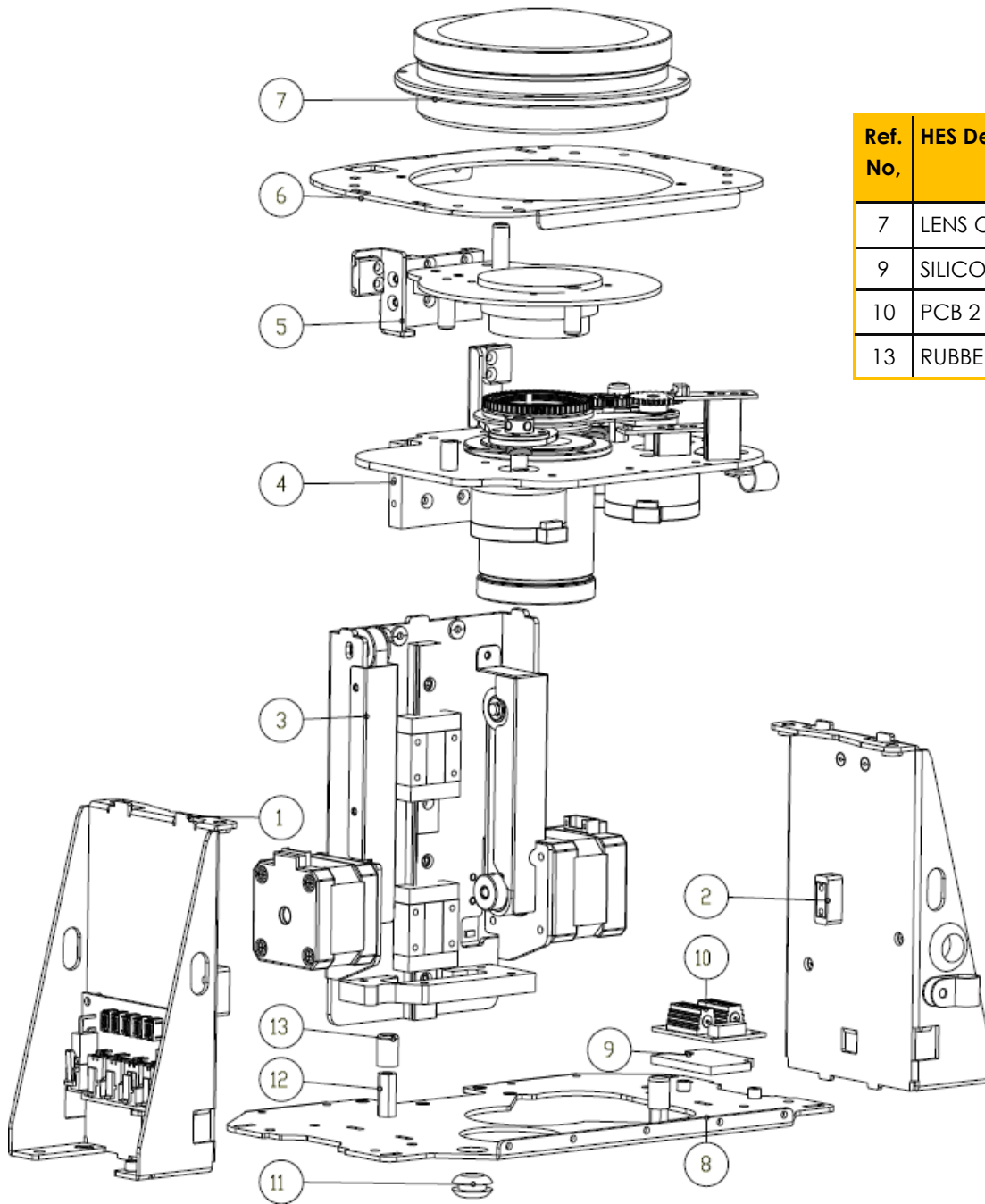


Please contact HES service for any part numbers that are not listed



Ref. No.	HES Description	HES Part Number
1	WHEEL ROTATING GOBO ASSEMBLY	2540A2025
2	WHEEL COLOR UPPER	2540A2024
3	WHEEL COLOR LOWER	2540A2023
4	WHEEL STATIC GOBO	2540A2026
6	SILICONE PAD COLOR GOBO PCB	HW60019
7	PCB COLOR GOBO 4U	2540B5602
10	MOTOR STATIC GOBO WHEEL	2540B2001
11	MOTOR BOTTOM COLOR WHEEL, GOBO ROTATE	2540B2005
12	MOTOR ROTATING GOBO WHEEL	2540B2002
14	SENSOR BOTTOM STATIC GOBO WHEEL, GOBO WHEEL, GOBO ROTATE	2540B5612
15	SENSOR BOTTOM COLOR WHEEL	2540B5611
16	BELT GOBO ROTATE	2540A5004
20	BELT ROTATING GOBO WHEEL	2540A5006
22	BELT BOTTOM COLOR WHEEL	2540A5005
26	SENSOR TOP COLOR WHEEL	2540B5610
30	MOTOR TOP COLOR WHEEL	2540B2006

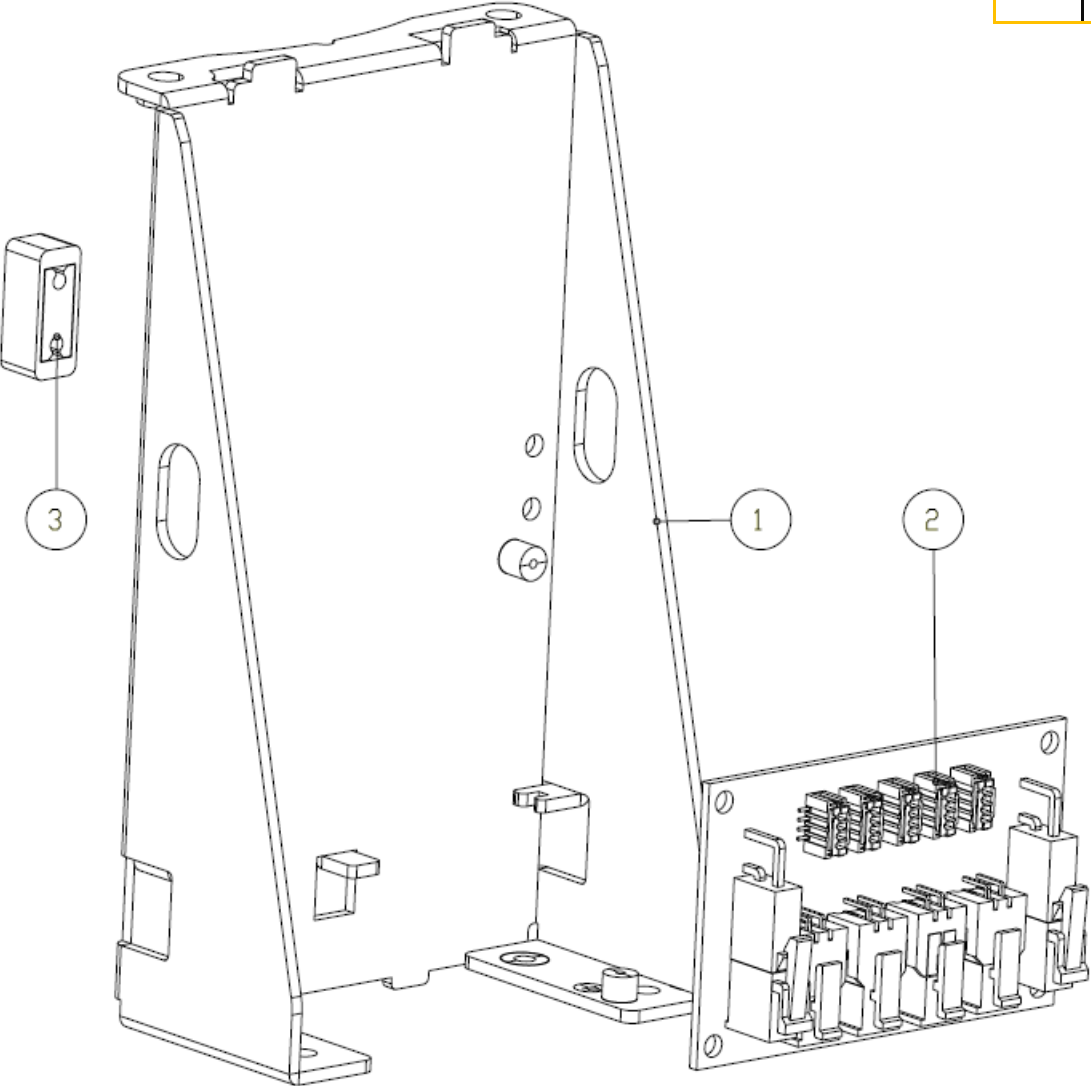
Please contact HES service for any part numbers that are not listed



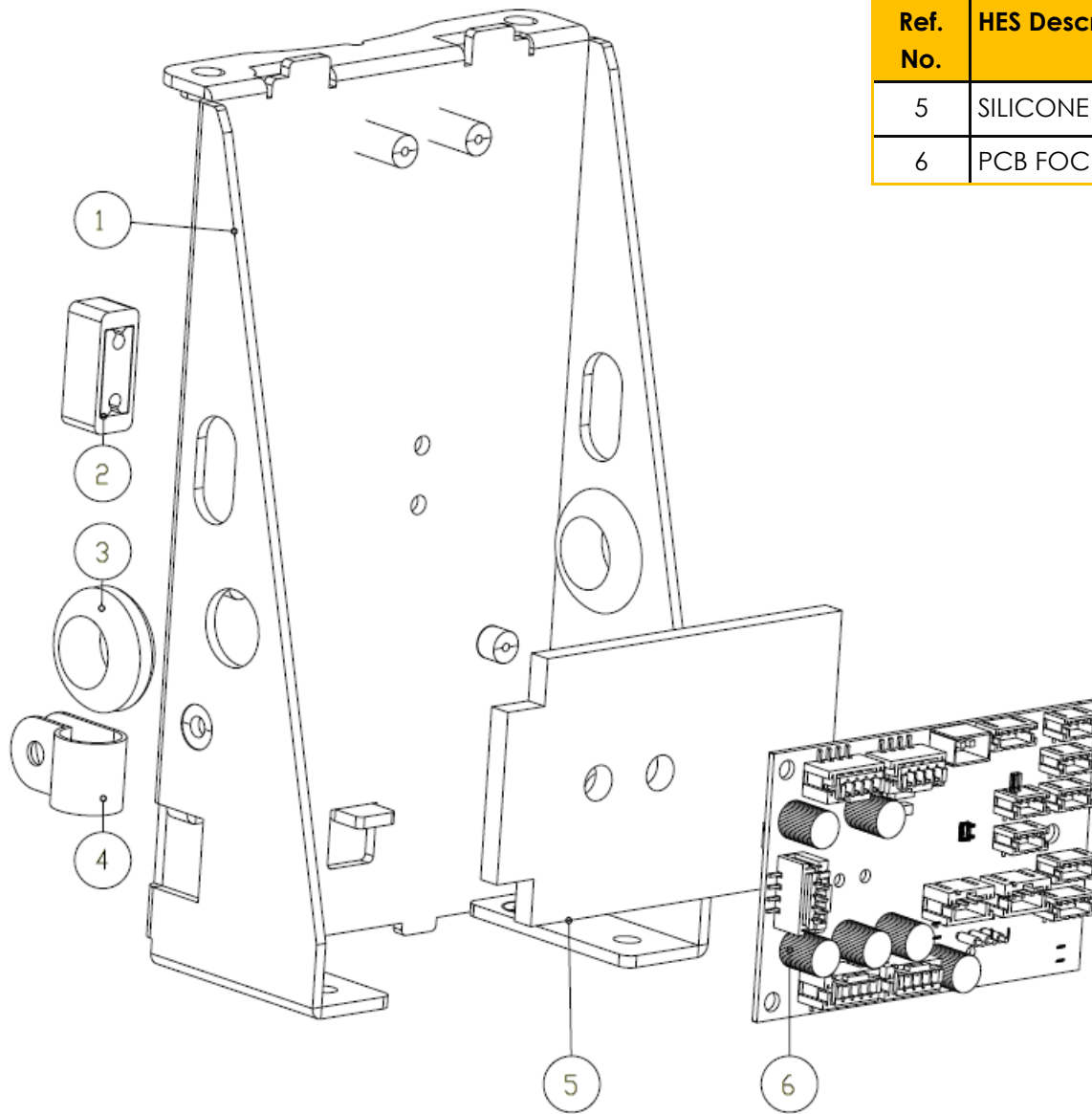
Ref. No.	HES Description	HES Part Number
7	LENS OUTPUT	2540A4011
9	SILICONE PAD RESISTOR PCB	2540A4016
10	PCB 2 RESISTOR	2540A2019
13	RUBBER COVER FOCUS STANDOFF	2540A4013

Please contact HES service for any part numbers that are

Ref. No.	HES Description	HES Part Number
2	PCB JUNCTION HEAD	2540B5609

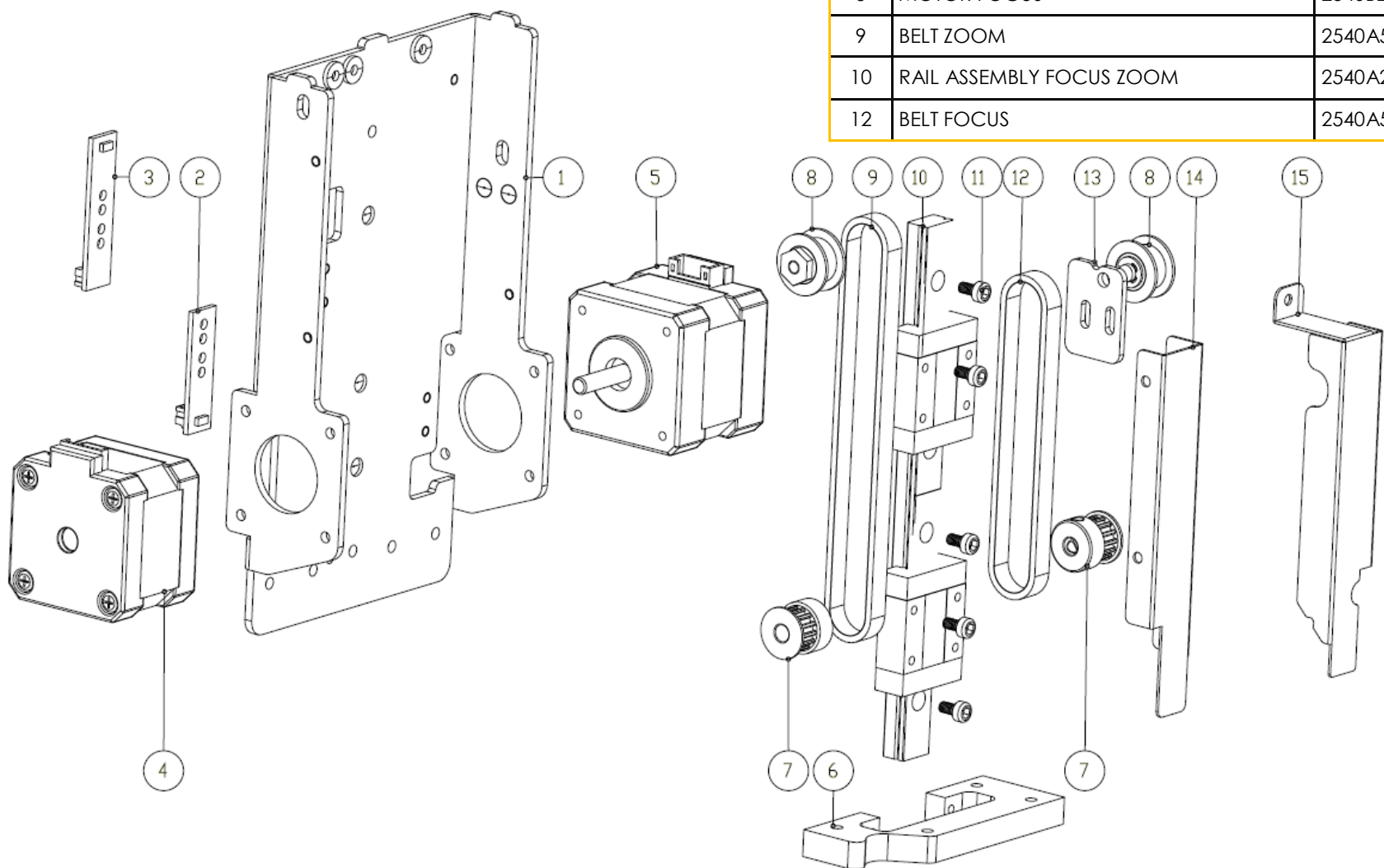


Please contact HES service for any part numbers that are not listed



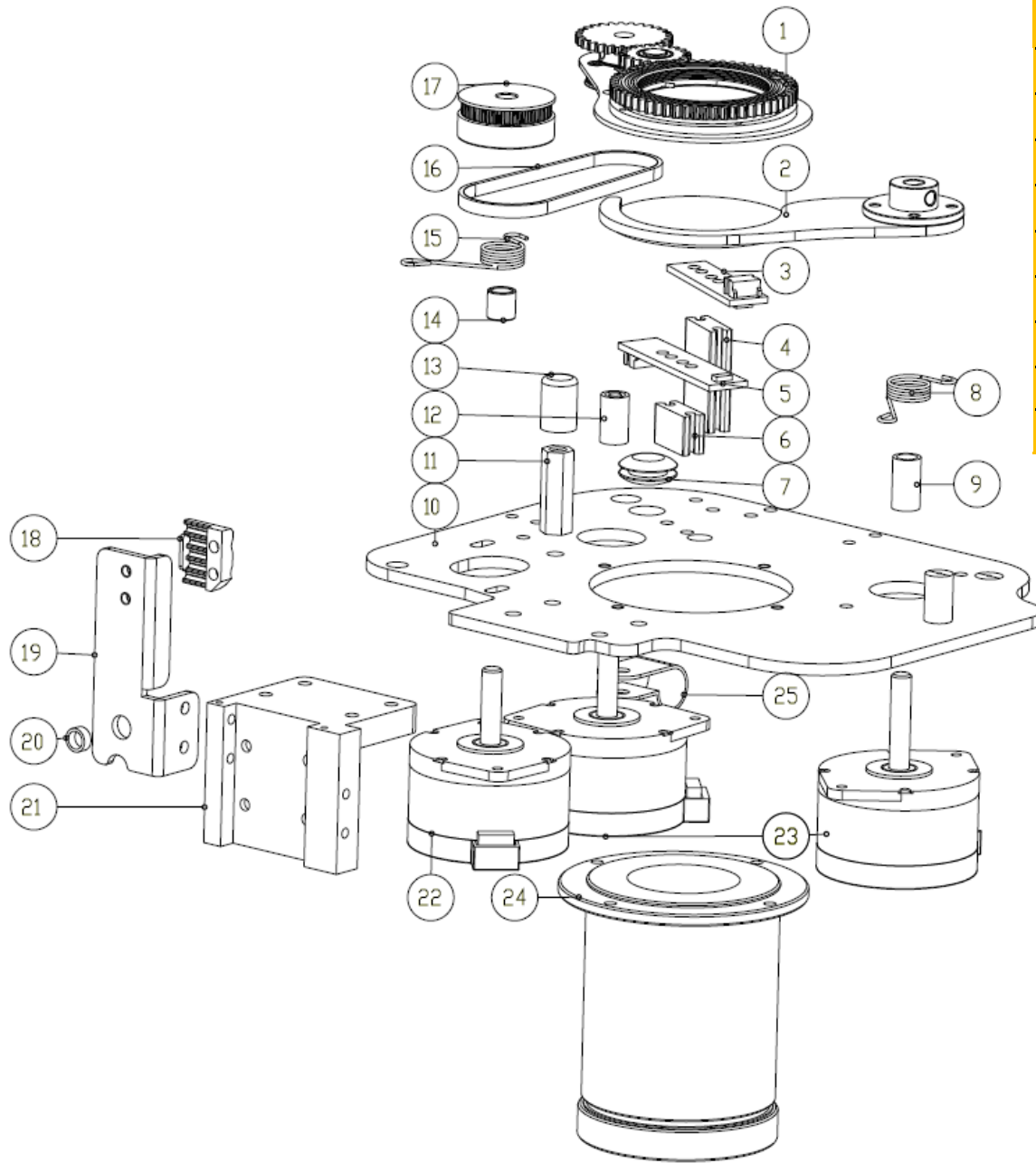
Ref. No.	HES Description	HES Part Number
5	SILICONE PAD FOCUS ZOOM PCB	2540A4017
6	PCB FOCUS FROST PRISM ZOOM 5U	2540B5606

Please contact HES service for any part numbers that are not listed



Ref. No.	HES Description	HES Part Number
2	SENSOR FOCUS	2582B5604
3	SENSOR ZOOM	2540B5612
4	MOTOR ZOOM	2540B2007
5	MOTOR FOCUS	2540B2008
9	BELT ZOOM	2540A5002
10	RAIL ASSEMBLY FOCUS ZOOM	2540A2020
12	BELT FOCUS	2540A5001

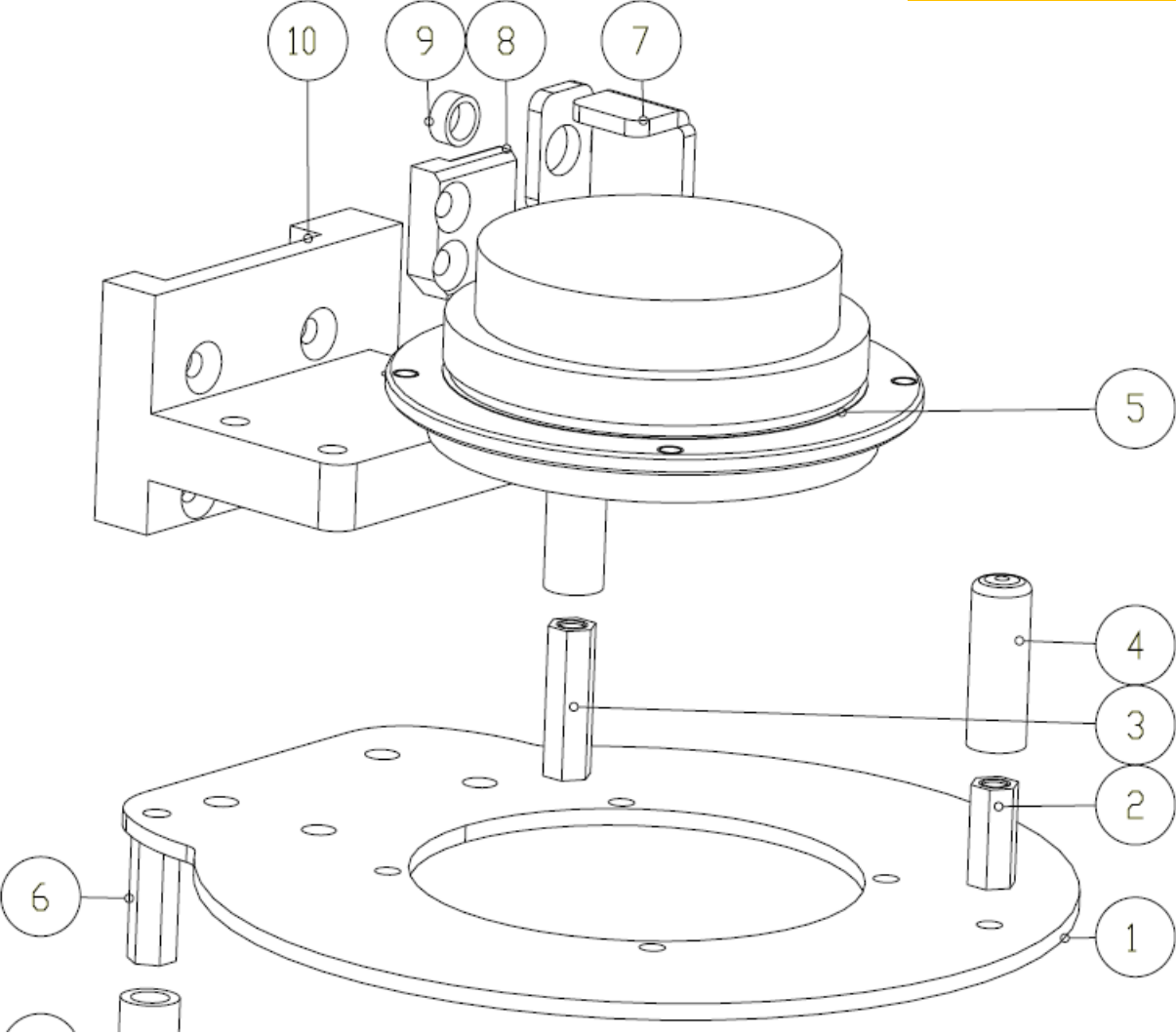
Please contact HES service for any part numbers that are not listed



Ref. No,	HES Description	HES Part Number
2	FROST FLAG ASSEMBLY	2540A2015
3	SENSOR PRISM ROTATE	2582B5604
5	SENSOR PRISM ACTUATE	2540B5612
8	SPRING FROST	2540A3007
15	SPRING PRISM	2540A3008
16	BELT PRISM	HW9607
22	MOTOR PRISM ACTUATE	2540B2003
23	MOTOR FROST, PRISM ROTATE	2540B2004
24	LENS FOCUS	2540A4010

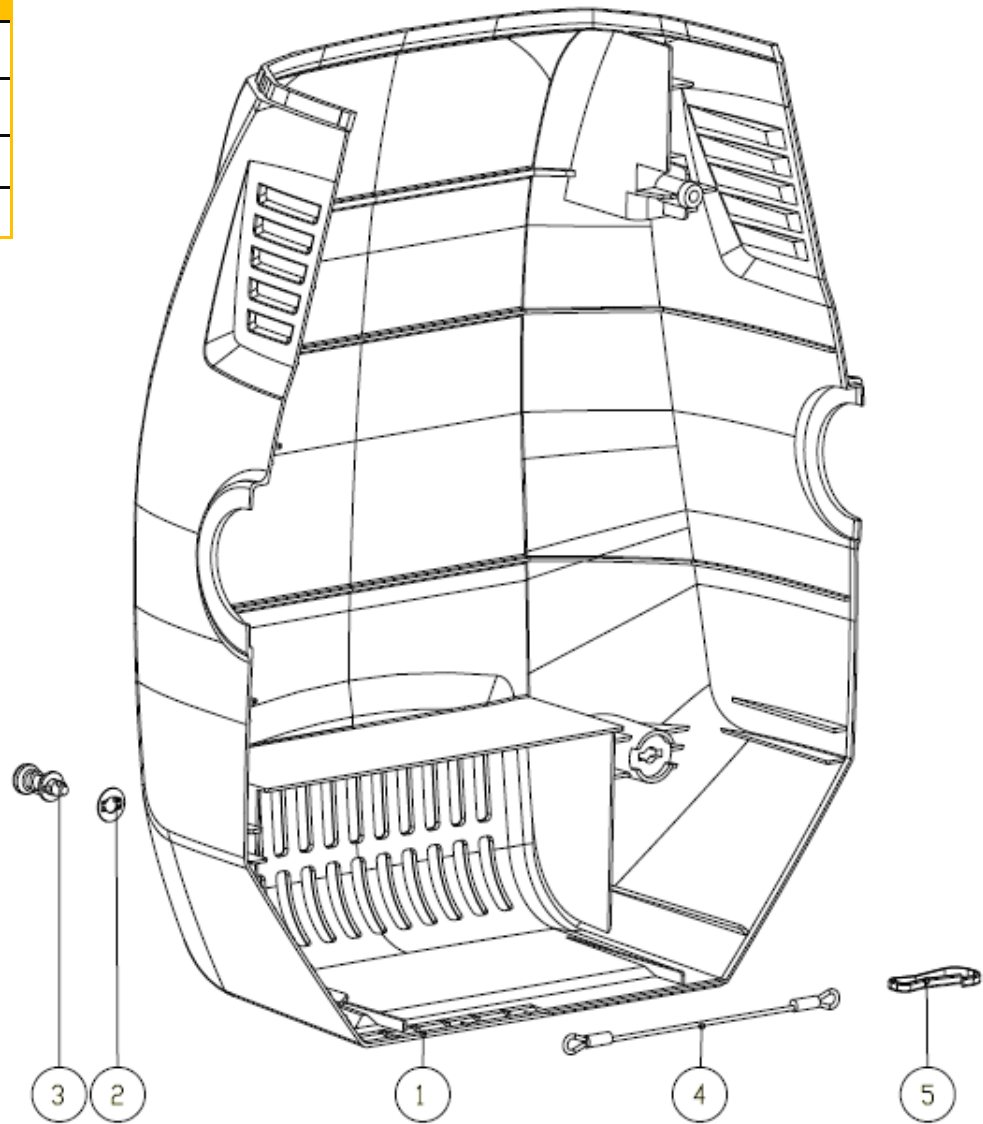
Please contact HES service for any part numbers that are not listed

Ref. No.	HES Description	HES Part
5	LENS ZOOM	2540A4012



Please contact HES service for any part numbers that are not listed

Ref. No.	HES Description	HES Part Number
2	WASHER RETAINING HEAD COVER	H7300182
3	SCREW 1/4 TURN HEAD COVER	H7300181
4	SAFETY CABLE	2540A3006
5	SAFETY CABLE HOOK	2540A3005



Please contact HES service for any part numbers that are not listed

Hyperstar PCB Identifiers

PCB Software ID	Controls
1U	Display
2U	Pan, Tilt
3U	Dimmer
4U	Color Wheels, Gobo Wheels
5U	Focus, Frost, Prism, Prism Rot, Zoom
6U	LED Fans

Check out support.etcconnect.com/HES for support articles, tips and tricks!



For all other questions/request please email HESservice@etcconnect.com