

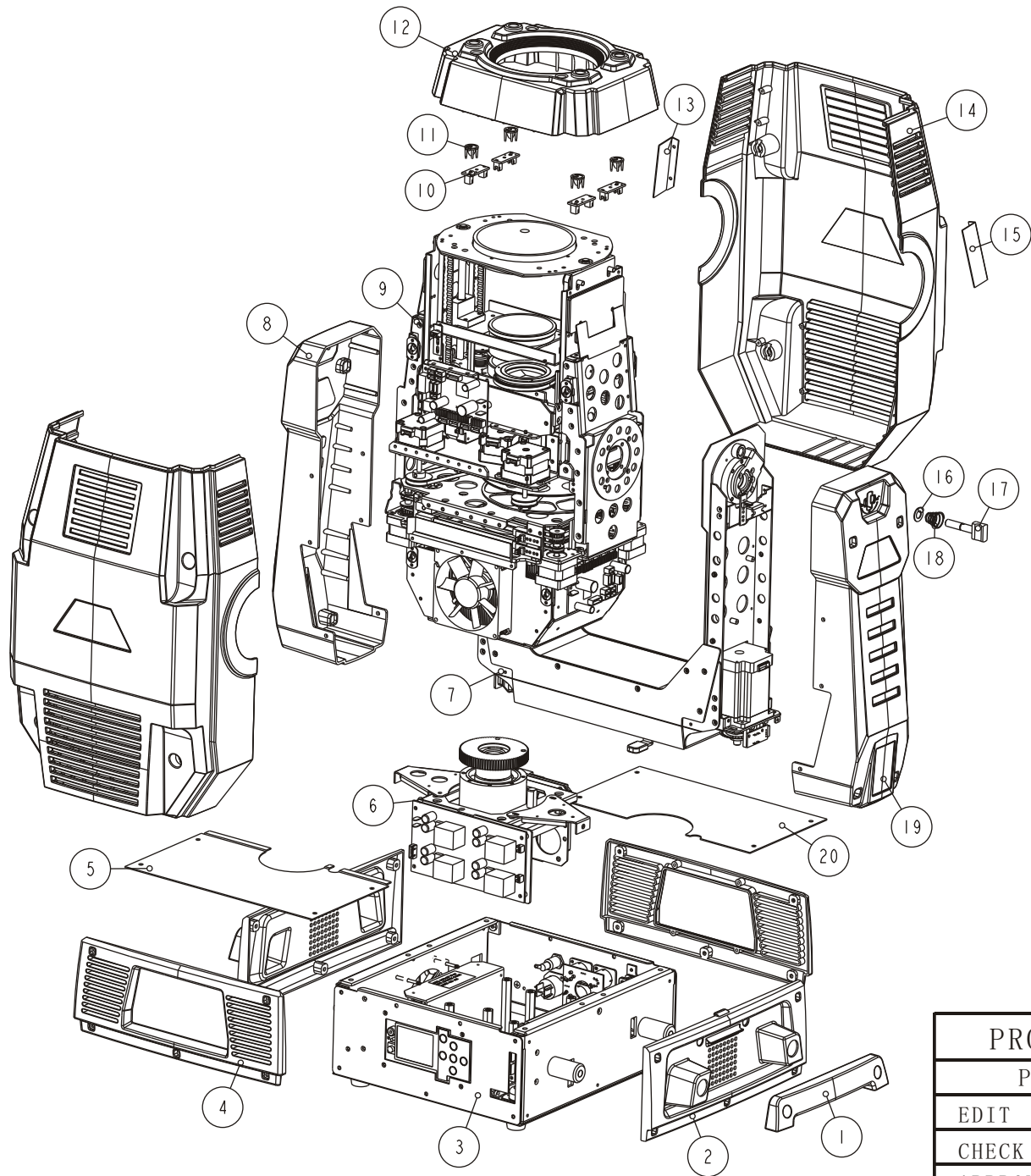
Service manual

SOLASPOT PRO CMY

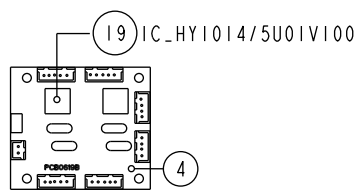
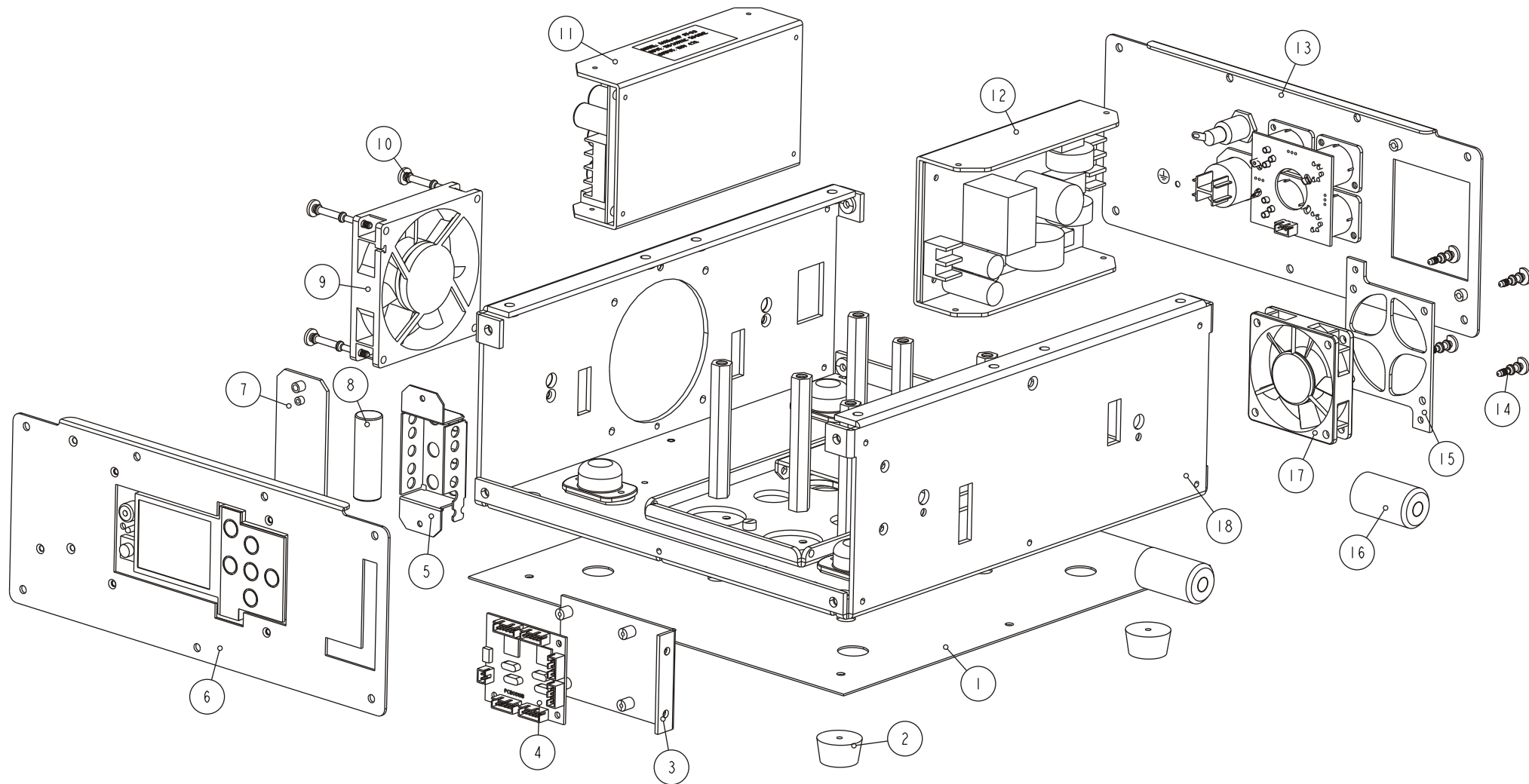
- ✘ Exploded Diagrams
- ✘ Circuit Diagrams
- ✘ Wiring Diagrams
- ✘ Parts List



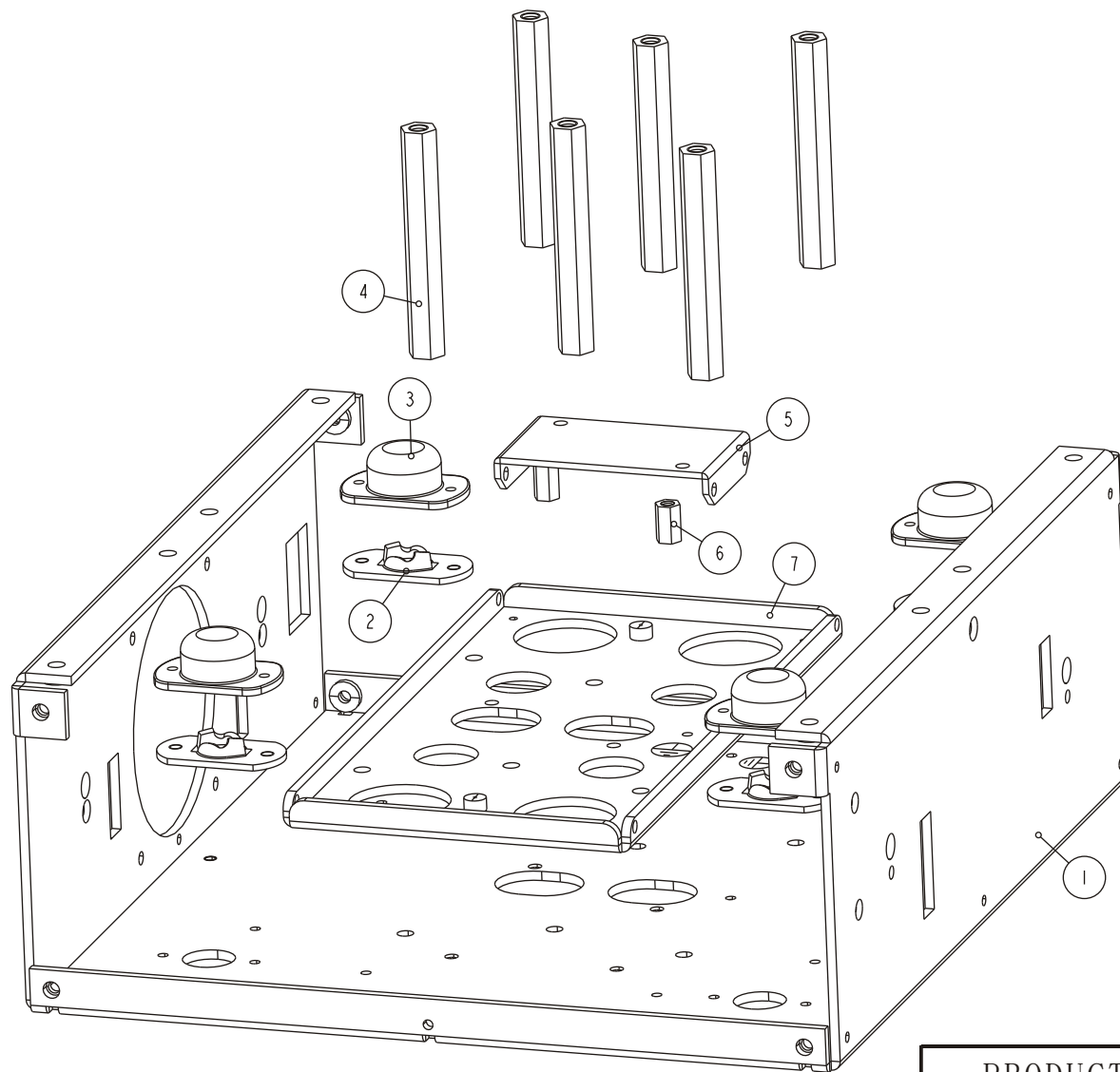
PRODUCT		SOLASPOT PRO CMY		
PIC. NO.		Front Page	Series No.	5509914030101~300
EDIT		FILE NO.	HY-EXP-1277A	
CHECK		ORDER NO.	SO20134135	
APPROVE		VERSION	NR	SOFTWARE VER. V1.0.0



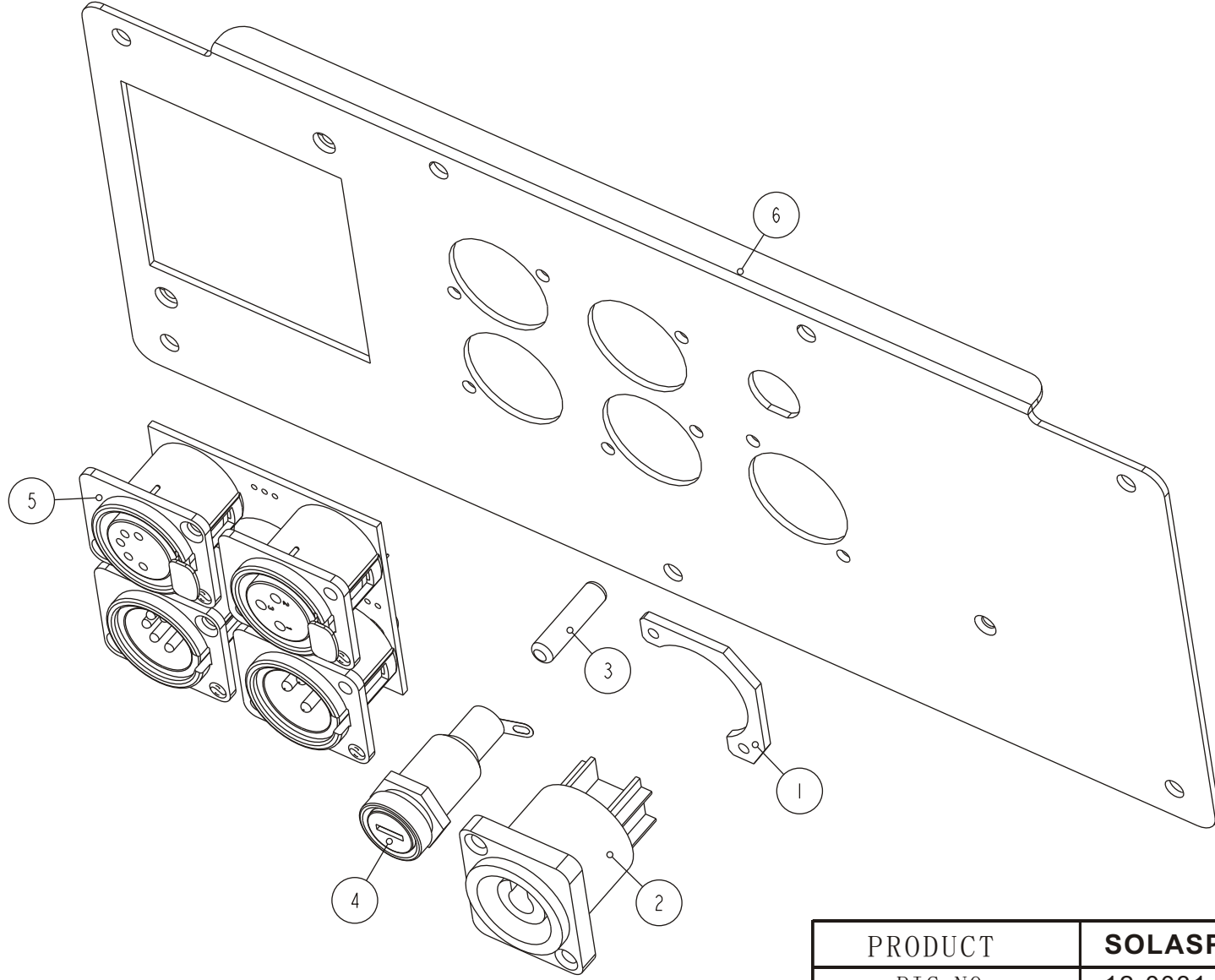
PRODUCT		SOLASPOT PRO CMY			
PIC. NO.		12-0031-00-00-00			
EDIT		FILE NO.	HY-EXP-1277A	PAGE NO.	1/22
CHECK		VERSION	NR	DATE	2014.2.20
APPROVE		ECN NO.		DATE	



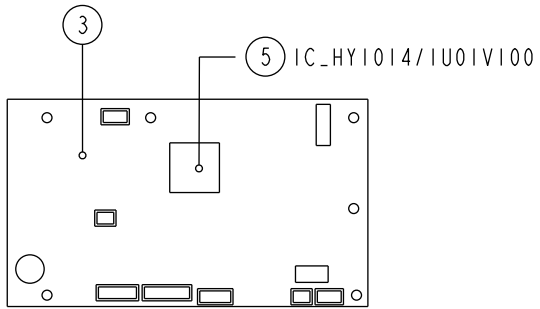
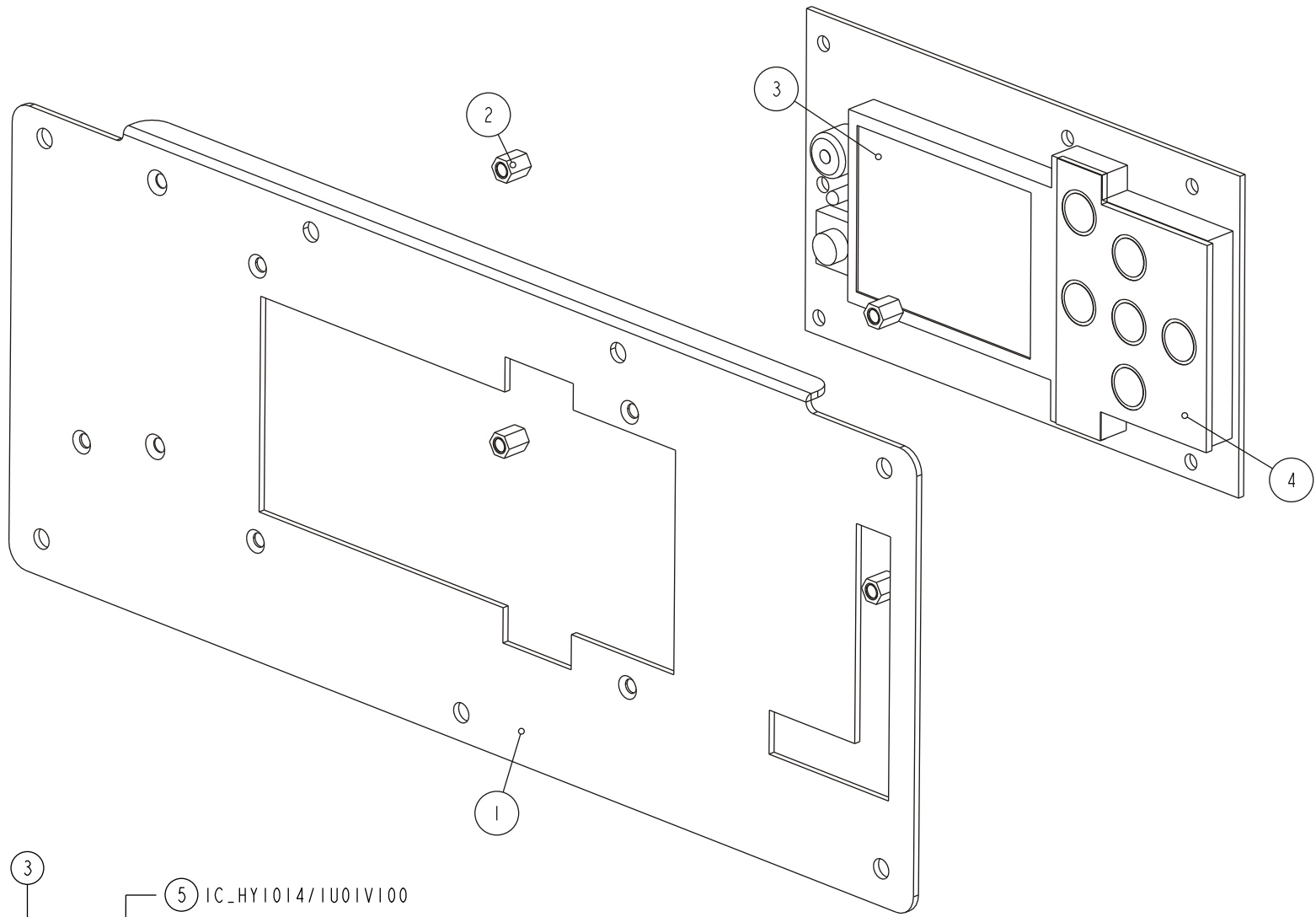
PRODUCT		SOLASPOT PRO CMY			
PIC. NO.		12-0031-01-00-00			
EDIT		FILE NO.	HY-EXP-1277A	PAGE NO.	2/22
CHECK		VERSION	NR	DATE	2014.2.20
APPROVE		ECN NO.		DATE	



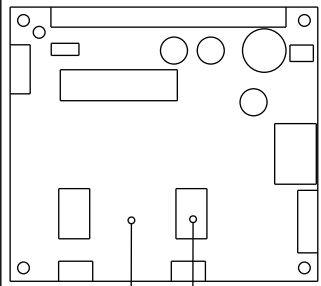
PRODUCT		SOLASPOT PRO CMY			
PIC. NO.		12-0031-01-01-00			
EDIT		FILE NO.	HY-EXP-1277A	PAGE NO.	3/22
CHECK		VERSION	NR	DATE	2014.2.20
APPROVE		ECN NO.		DATE	



PRODUCT		SOLASPOT PRO CMY			
PIC. NO.		12-0031-01-02-00			
EDIT		FILE NO.	HY-EXP-1277A	PAGE NO.	4/22
CHECK		VERSION	NR	DATE	2014.2.20
APPROVE		ECN NO.		DATE	



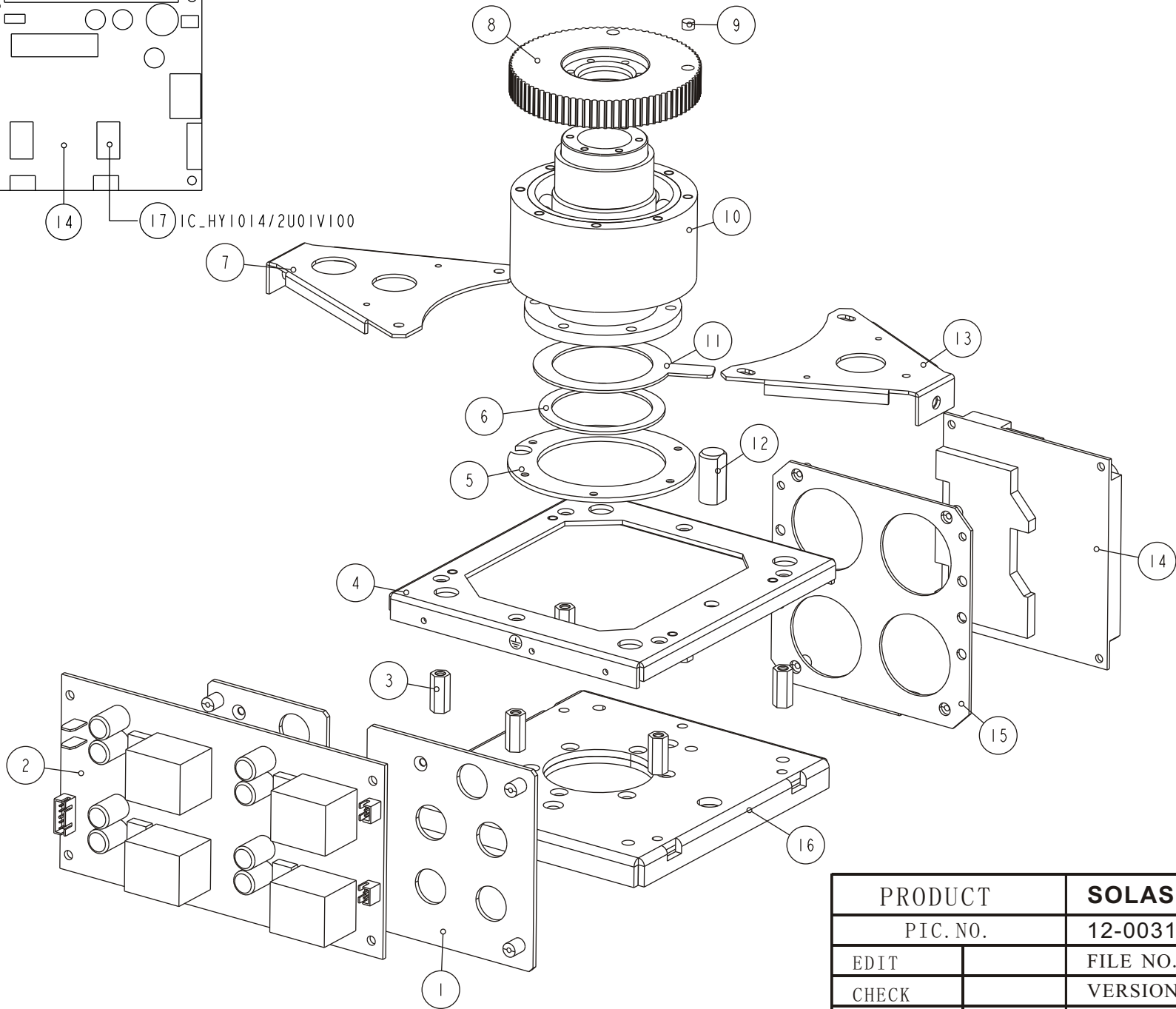
PRODUCT		SOLASPOT PRO CMY			
PIC. NO.		12-0031-01-03-00			
EDIT		FILE NO.	HY-EXP-1277A	PAGE NO.	5/22
CHECK		VERSION	NR	DATE	2014.2.20
APPROVE		ECN NO.		DATE	



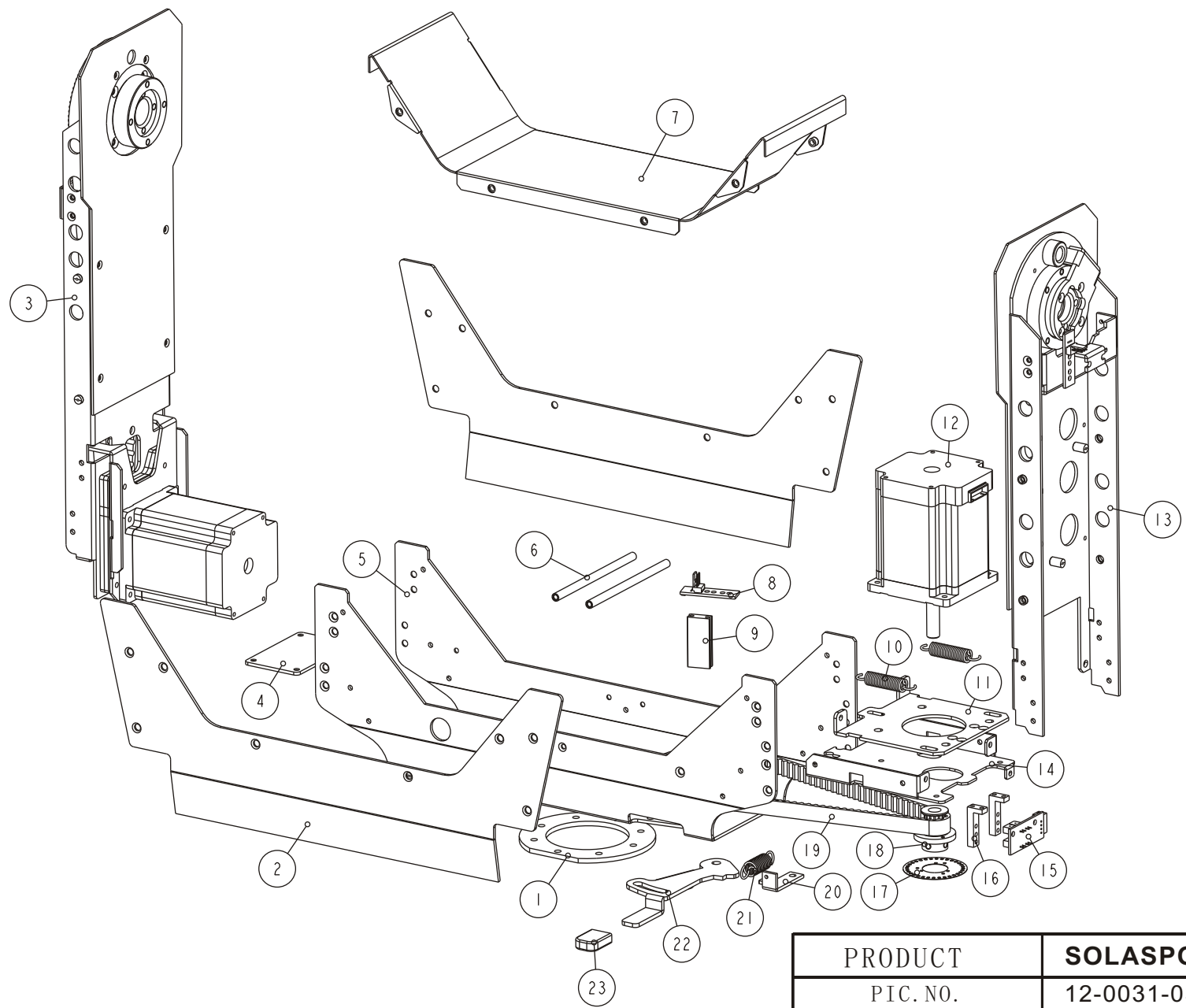
14

17

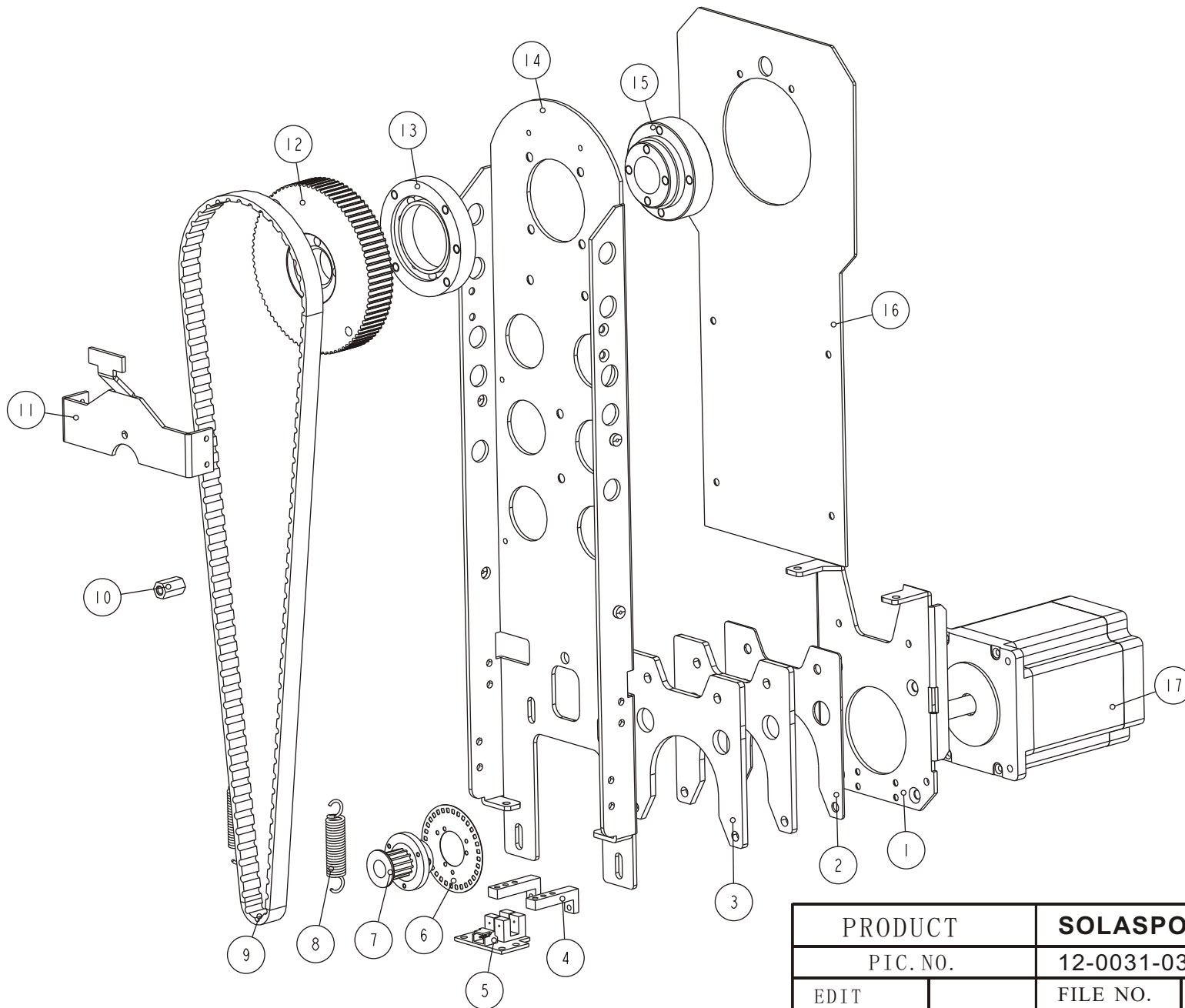
IC_HY1014/2U01V100



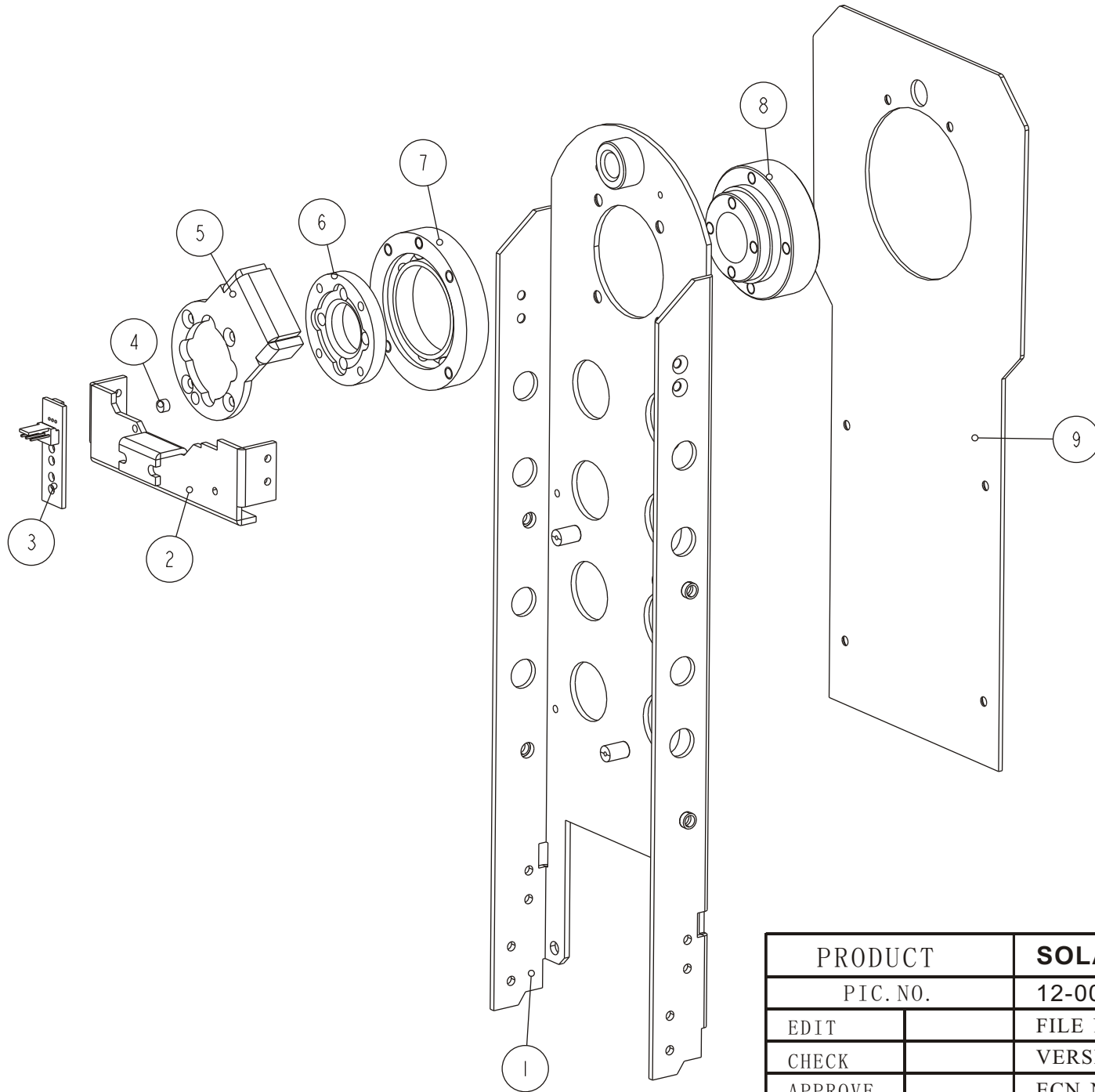
PRODUCT		SOLASPOT PRO CMY			
PIC. NO.		12-0031-02-00-00			
EDIT		FILE NO.	HY-EXP-1277A	PAGE NO.	6/22
CHECK		VERSION	NR	DATE	2014.2.20
APPROVE		ECN NO.		DATE	



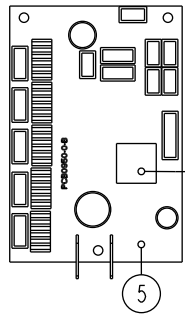
PRODUCT		SOLASPOT PRO CMY			
PIC. NO.		12-0031-03-00-00			
EDIT		FILE NO.	HY-EXP-1277A	PAGE NO.	7/22
CHECK		VERSION	NR	DATE	2014.2.20
APPROVE		ECN NO.		DATE	



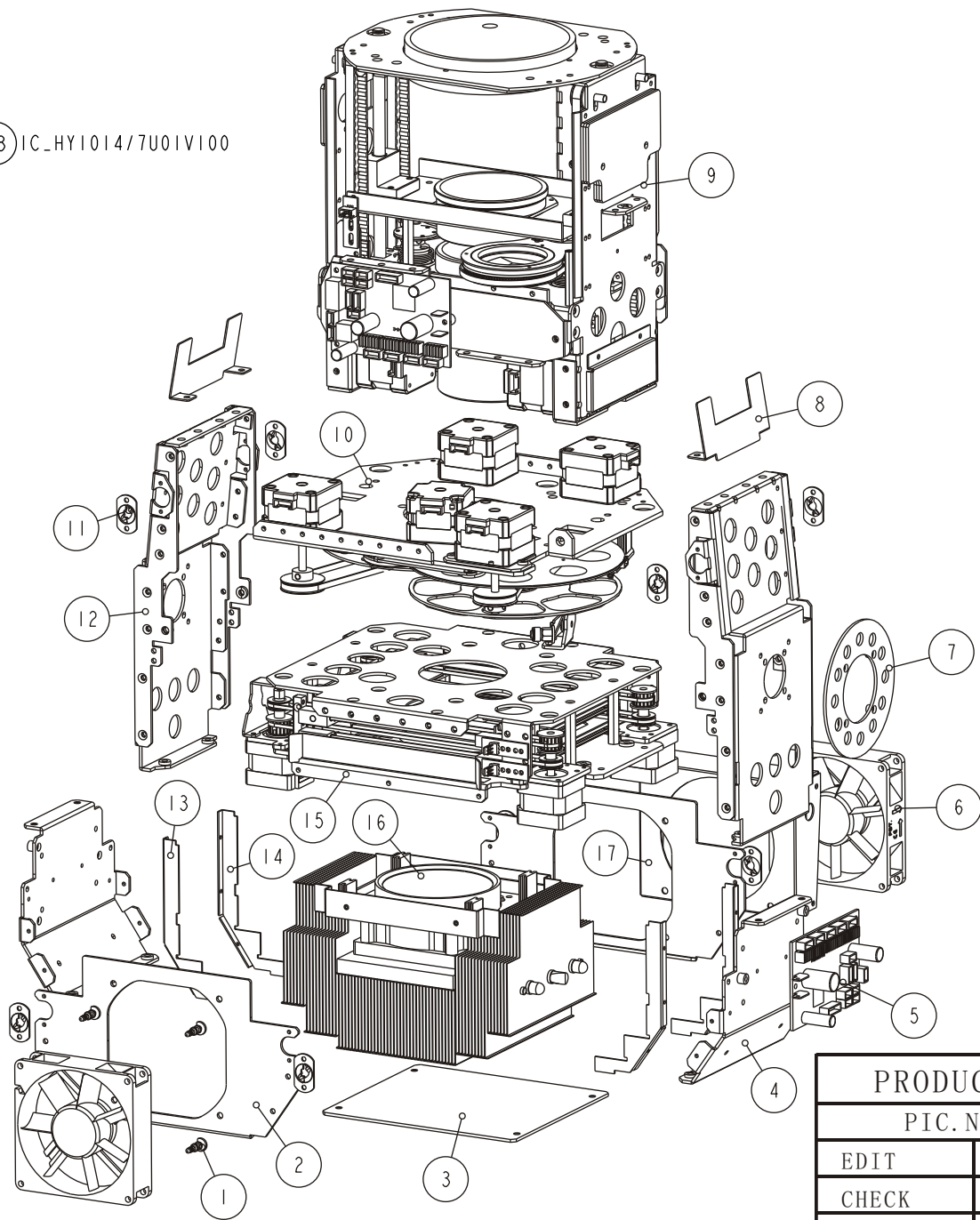
PRODUCT		SOLASPOT PRO CMY			
PIC. NO.		12-0031-03-01-00			
EDIT		FILE NO.	HY-EXP-1277A	PAGE NO.	8/22
CHECK		VERSION	NR	DATE	2014.2.20
APPROVE		ECN NO.		DATE	



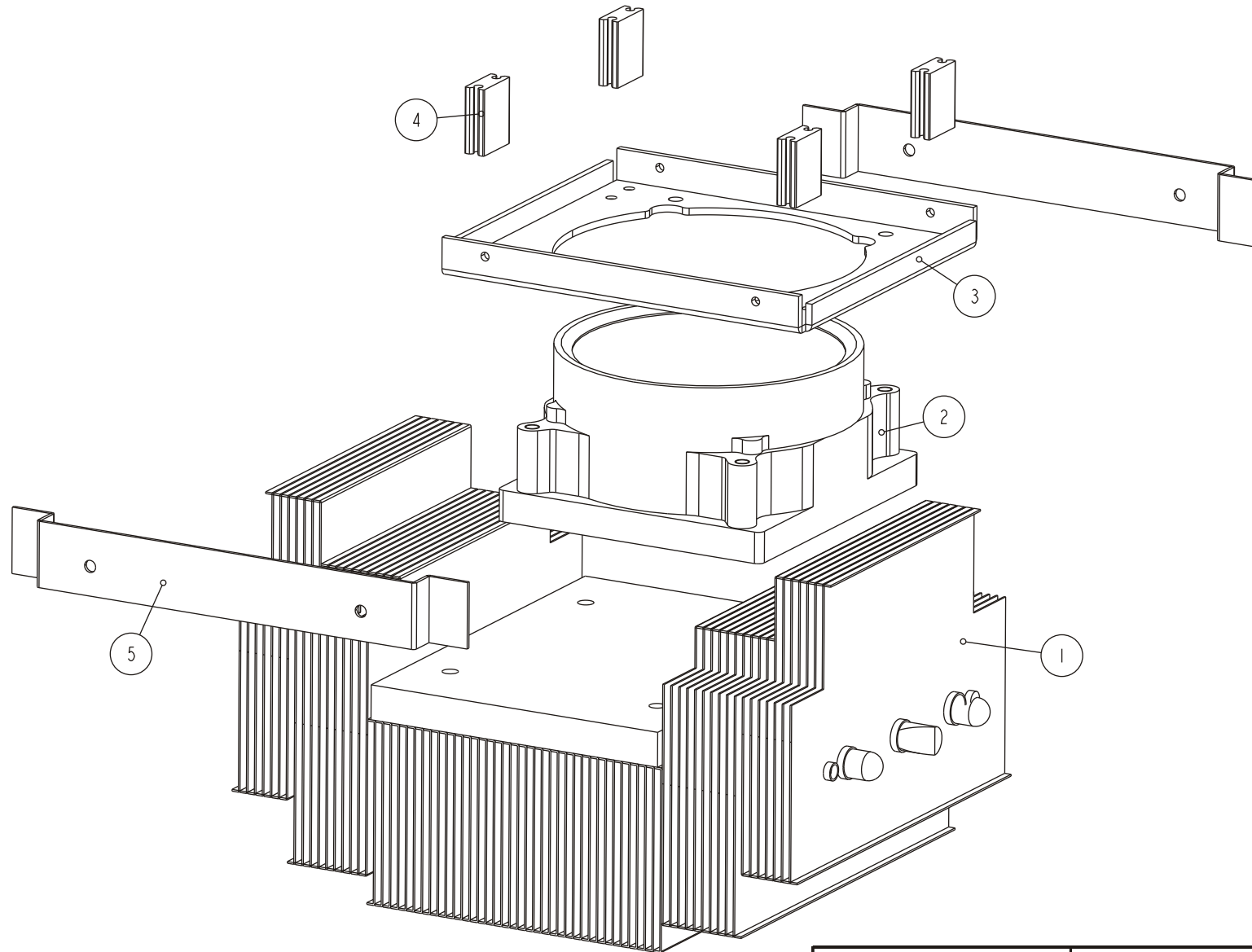
PRODUCT		SOLASPOT PRO CMY			
PIC. NO.		12-0031-03-02-00			
EDIT		FILE NO.	HY-EXP-1277A	PAGE NO.	9/22
CHECK		VERSION	NR	DATE	2014.2.20
APPROVE		ECN NO.		DATE	



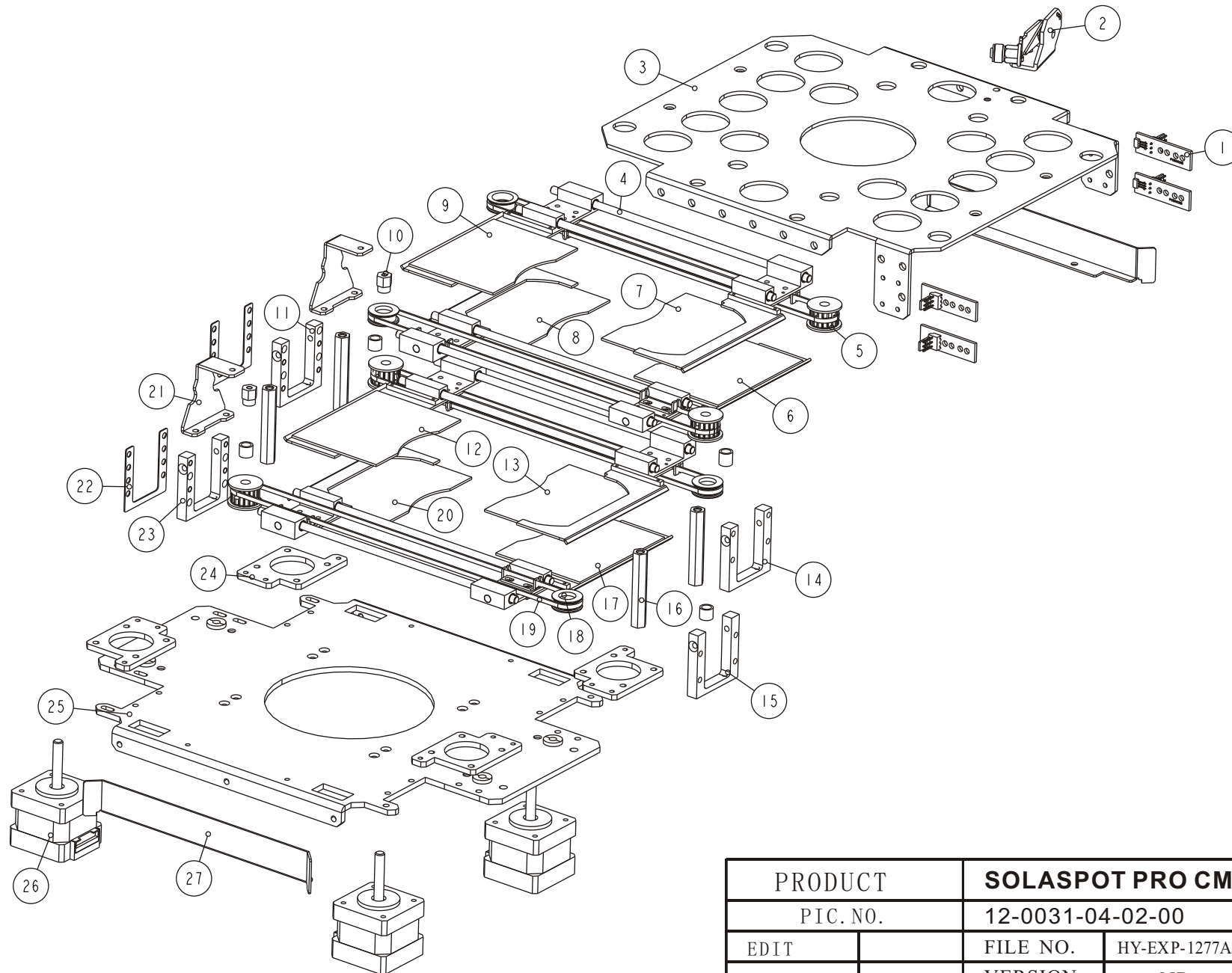
18 IC_HY1014/7U01V100



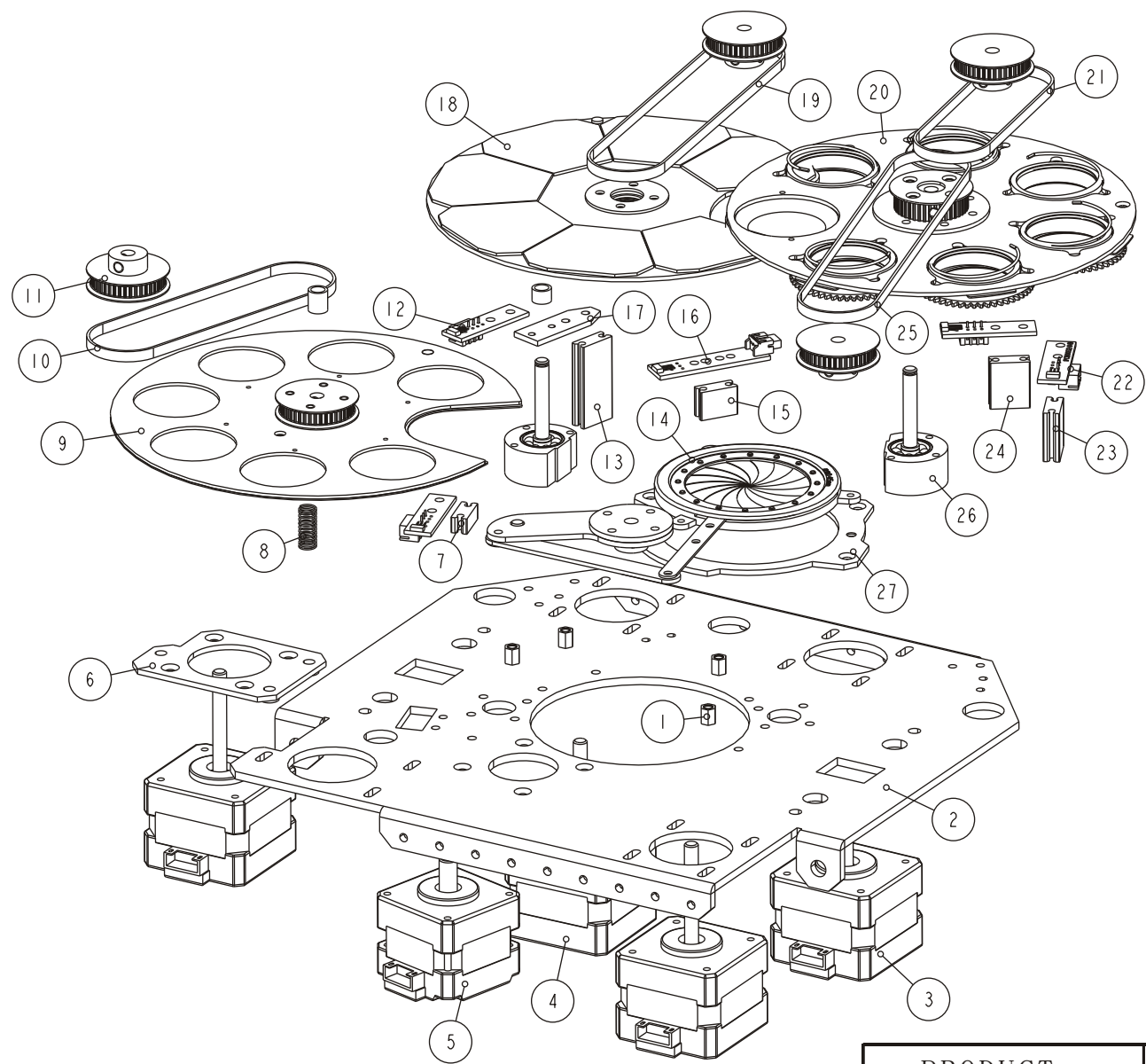
PRODUCT		SOLASPOT PRO CMY			
PIC. NO.		12-0031-04-00-00			
EDIT		FILE NO.	HY-EXP-1277A	PAGE NO.	10/22
CHECK		VERSION	NR	DATE	2014.2.20
APPROVE		ECN NO.		DATE	



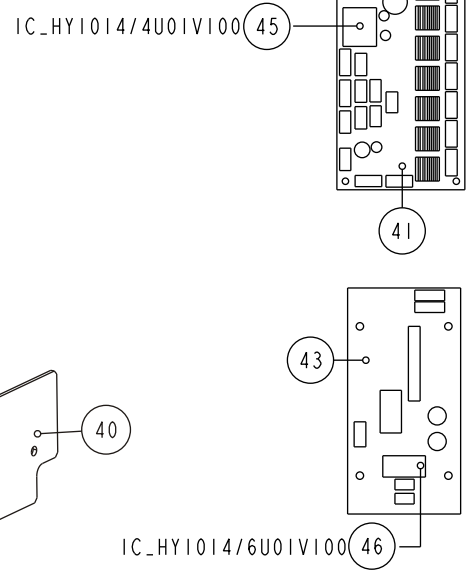
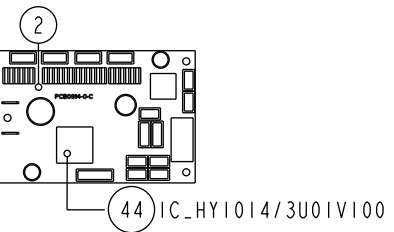
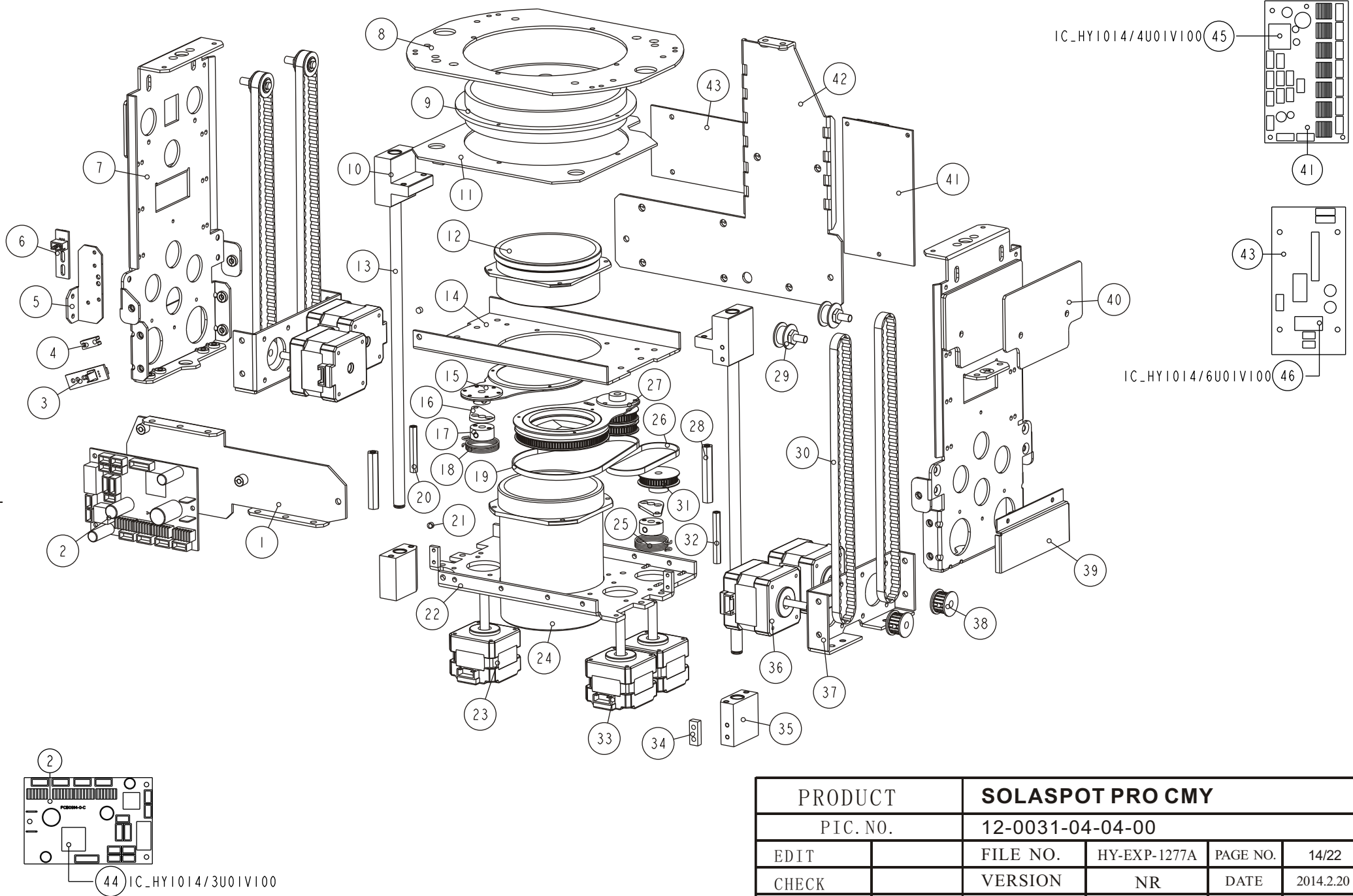
PRODUCT		SOLASPOT PRO CMY			
PIC. NO.		12-0031-04-01-00			
EDIT		FILE NO.	HY-EXP-1277A	PAGE NO.	11/22
CHECK		VERSION	NR	DATE	2014.2.20
APPROVE		ECN NO.		DATE	



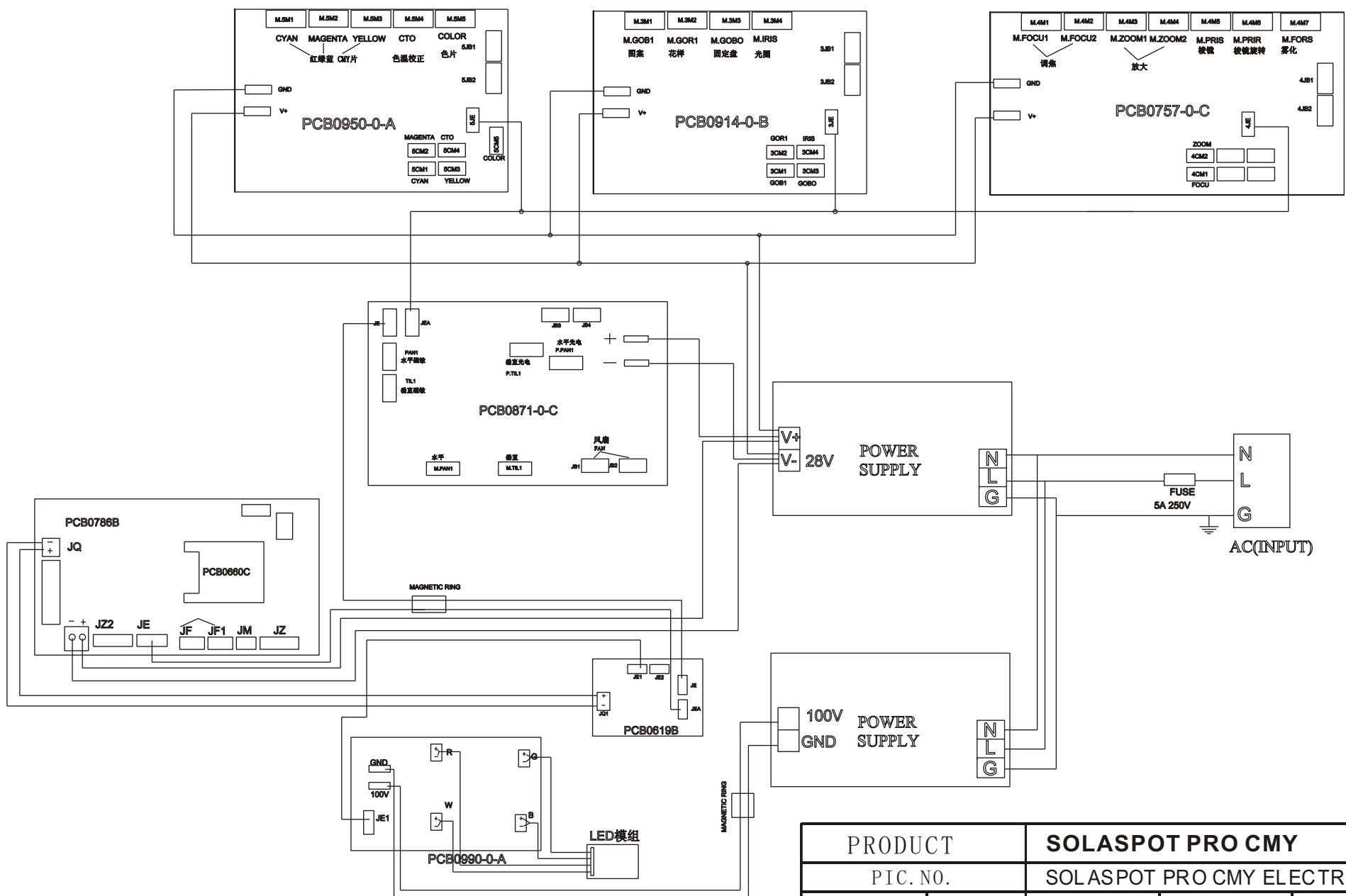
PRODUCT		SOLASPOT PRO CMY			
PIC. NO.		12-0031-04-02-00			
EDIT		FILE NO.	HY-EXP-1277A	PAGE NO.	12/22
CHECK		VERSION	NR	DATE	2014.2.20
APPROVE		ECN NO.		DATE	



PRODUCT		SOLASPOT PRO CMY			
PIC. NO.		12-0031-04-03-00			
EDIT		FILE NO.	HY-EXP-1277A	PAGE NO.	13/22
CHECK		VERSION	NR	DATE	2014.2.20
APPROVE		ECN NO.		DATE	



PRODUCT		SOLASPOT PRO CMY			
PIC. NO.		12-0031-04-00			
EDIT		FILE NO.	HY-EXP-1277A	PAGE NO.	14/22
CHECK		VERSION	NR	DATE	2014.2.20
APPROVE		ECN NO.		DATE	



PRODUCT		SOLASPOT PRO CMY			
PIC. NO.		SOLASPOT PRO CMY ELECTRIC			
EDIT		FILE NO.	HY-EXP-1277A	PAGE NO.	15/22
CHECK		VERSION	NR	DATE	2014.2.20
APPROVE		ECN NO.		DATE	