



HIGH END SYSTEMS

Exploded Diagram

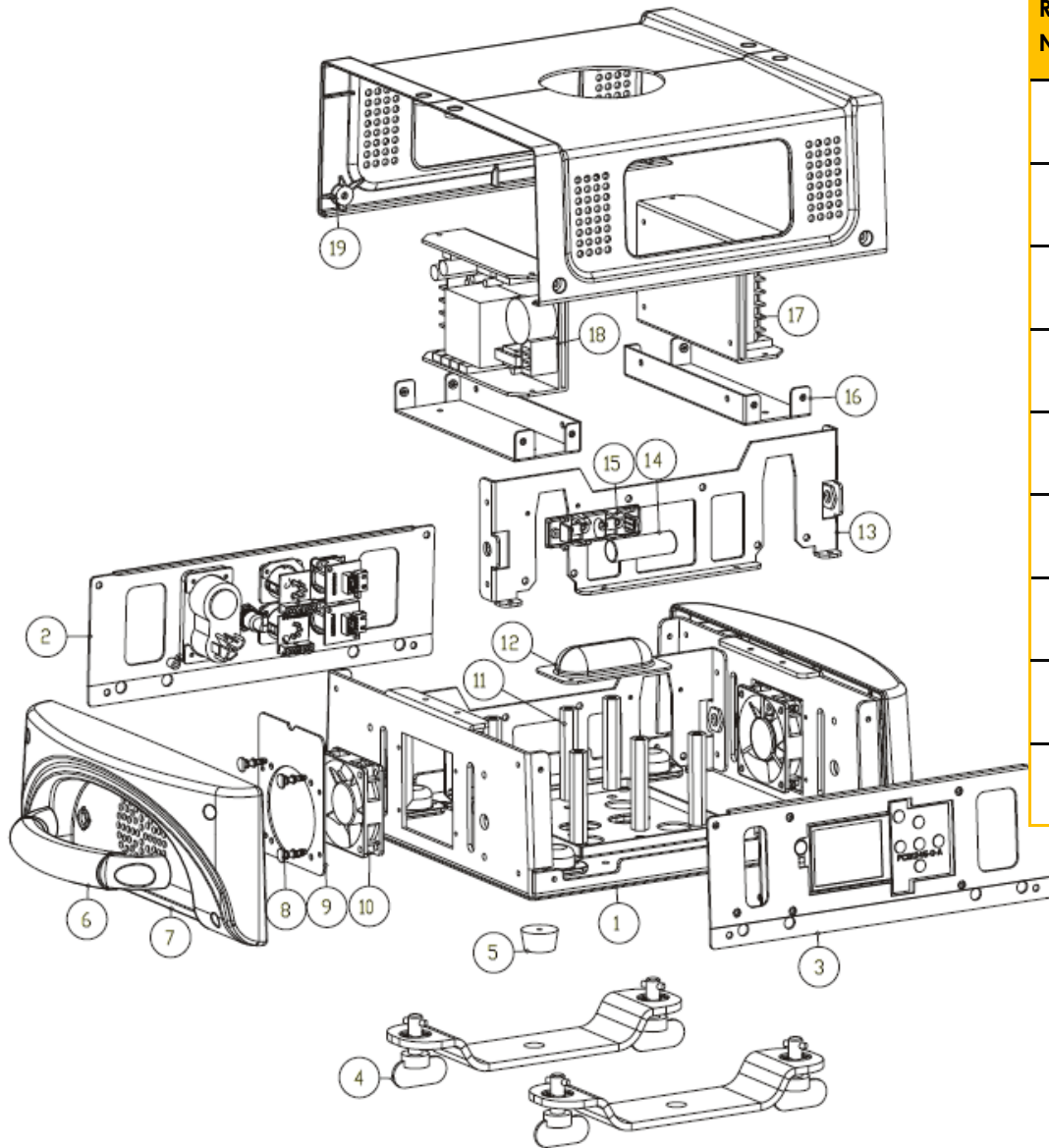
Quad



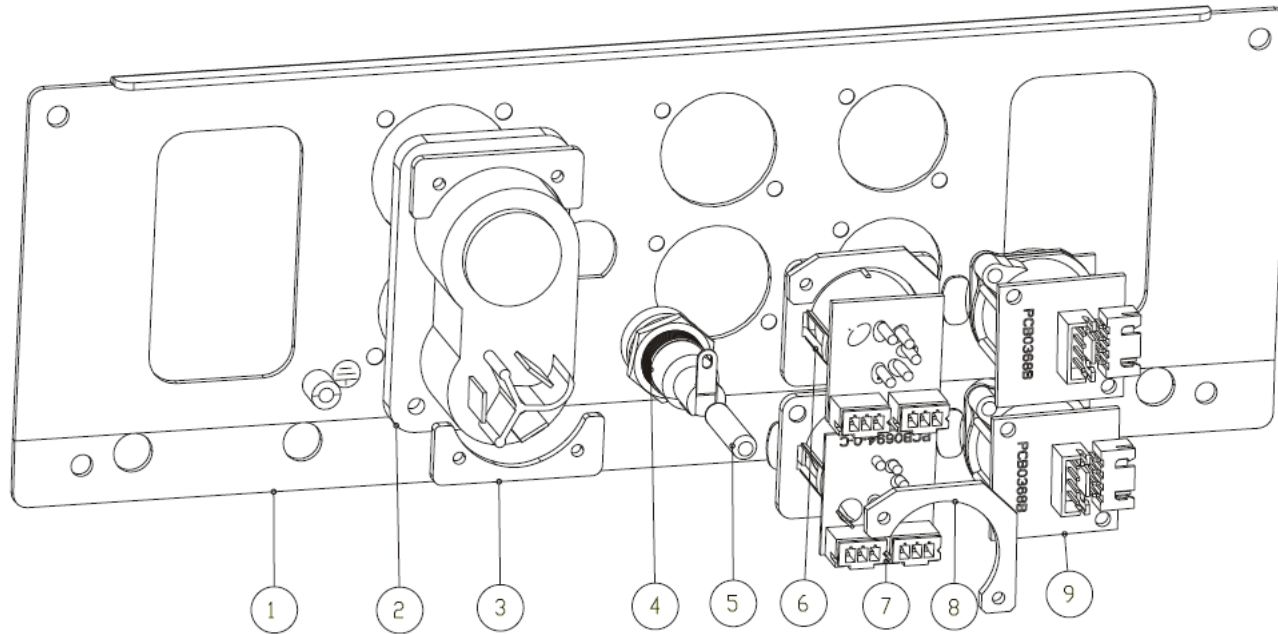
Part Number	Fixture Name	Color	Packaging
H7010019	Quad	Black	Road Case
H7010019W	Quad White	White	Road Case

Accessories

Model	Description
2560B7009	Fixture Power Cord upgrade, 5-15 Edison to powerCON TRUE1, 15 A
2560B7005	Fixture Power Cord upgrade, Stage Pin to powerCON TRUE1, 20 A
2560B7006	Fixture Power Cord upgrade, L6-20 to powerCON TRUE1, 20 A
2560B7007	Fixture Power Cord upgrade, L5-20 to powerCON TRUE1, 20 A
67040007	MegaClaw™
55040014	Cheeseborough 2" Alloy 1/2 Coupler Truss Clamp
67040010	Mini-Claw™

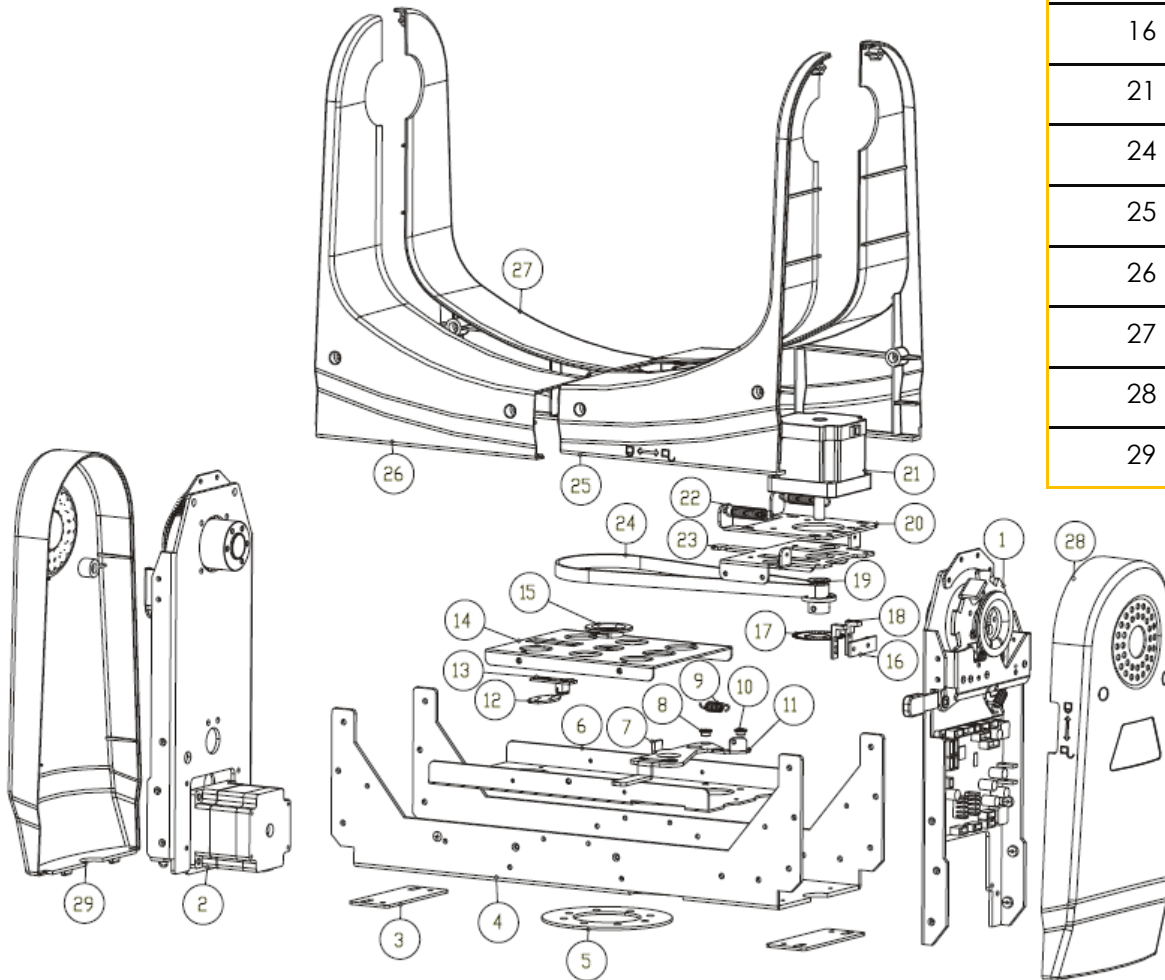


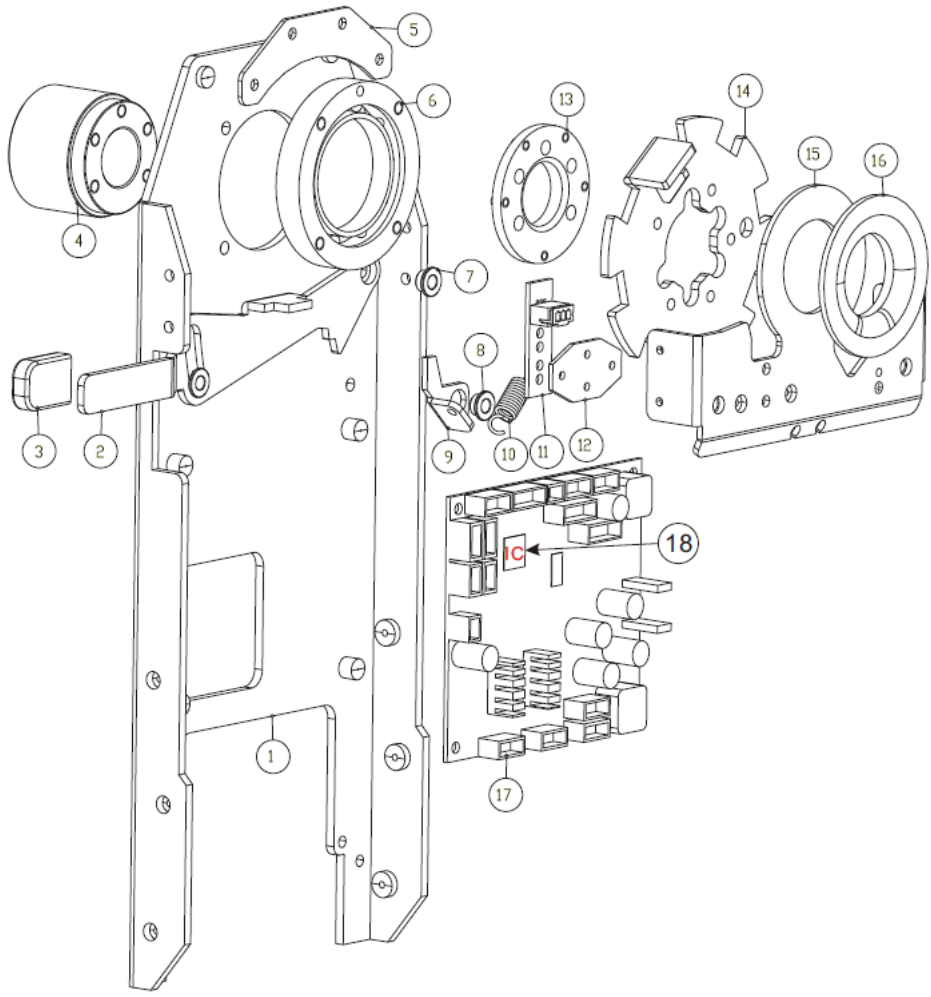
Reference Number	Fixture	HES Description	HES Part Number
3	Quad	Display Assembly 1U	H7190010
4	Quad	Truss Mount Bracket	H7150008
6	Quad	Handle	H7190007
7	Quad	Base Side Cover	H7190006
10	Quad	Base Fan	H7150014
14	Quad	DISPLAY BATTERY	H7150018
17	Quad	PSU Motor	H7190004
18	Quad	PSU LED	H7190003
19	Quad	Base Cover	H7190002



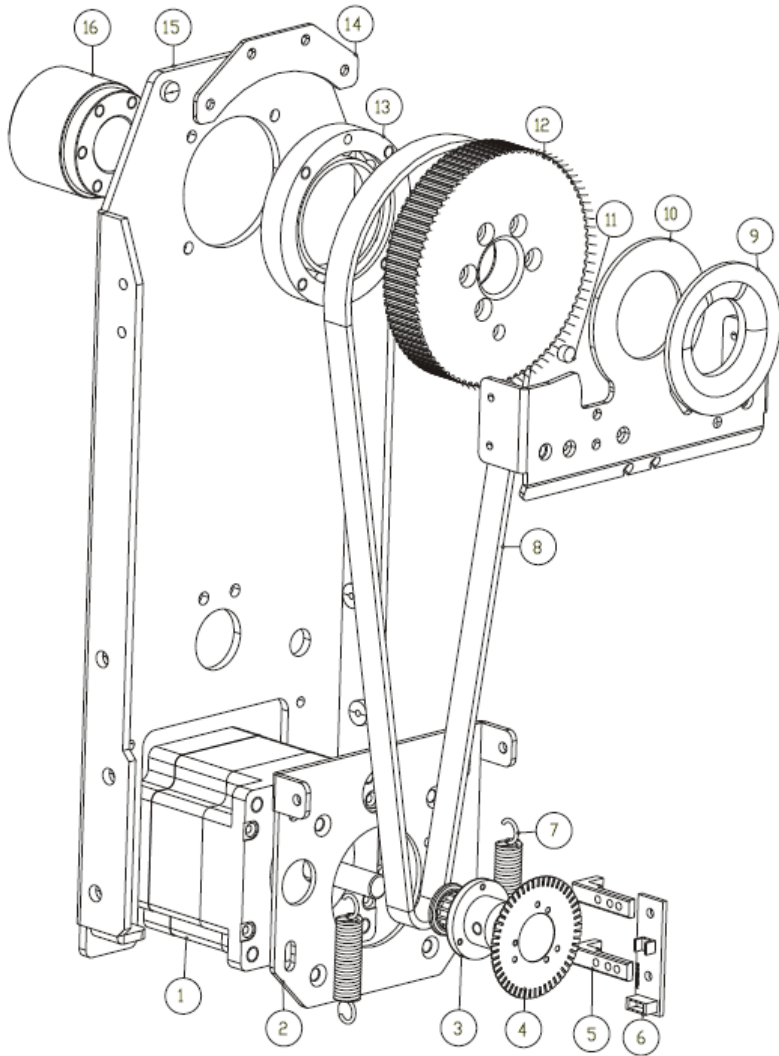
Reference Number	Fixture	HES Description	HES Part Number
2	Quad	TRU1 SOCKET	H7300176
4	Quad	FUSE HOLDER	H7180025
5	Quad	FUSE 8A 250V 5X20 SLOW BLOW	H7600024
6	Quad	XLR MALE	H7190009
7	Quad	XLR FEMALE	H7280022
9	Quad	ETHERNET PORT	H7280023

Reference Number	Fixture	HES Description	HES Part Number
7	Quad	TILT LOCK	H7190019
13	Quad	SENROR PAN HOMING	H7300094
16	Quad	SENSOR ENCODER	H7190017
21	Quad	MOTOR PAN	H7280035
24	Quad	BELT PAN	H7190016
25	Quad	COVER YOKE LOCK SIDE	H7190015
26	Quad	COVER YOKE RIGHT	H7190013
27	Quad	COVER YOKE LEFT (2 PER)	H7190014
28	Quad	COVER YOKE ARM LOCK SIDE	H7190012
29	Quad	COVER YOKE ARM	H7190011

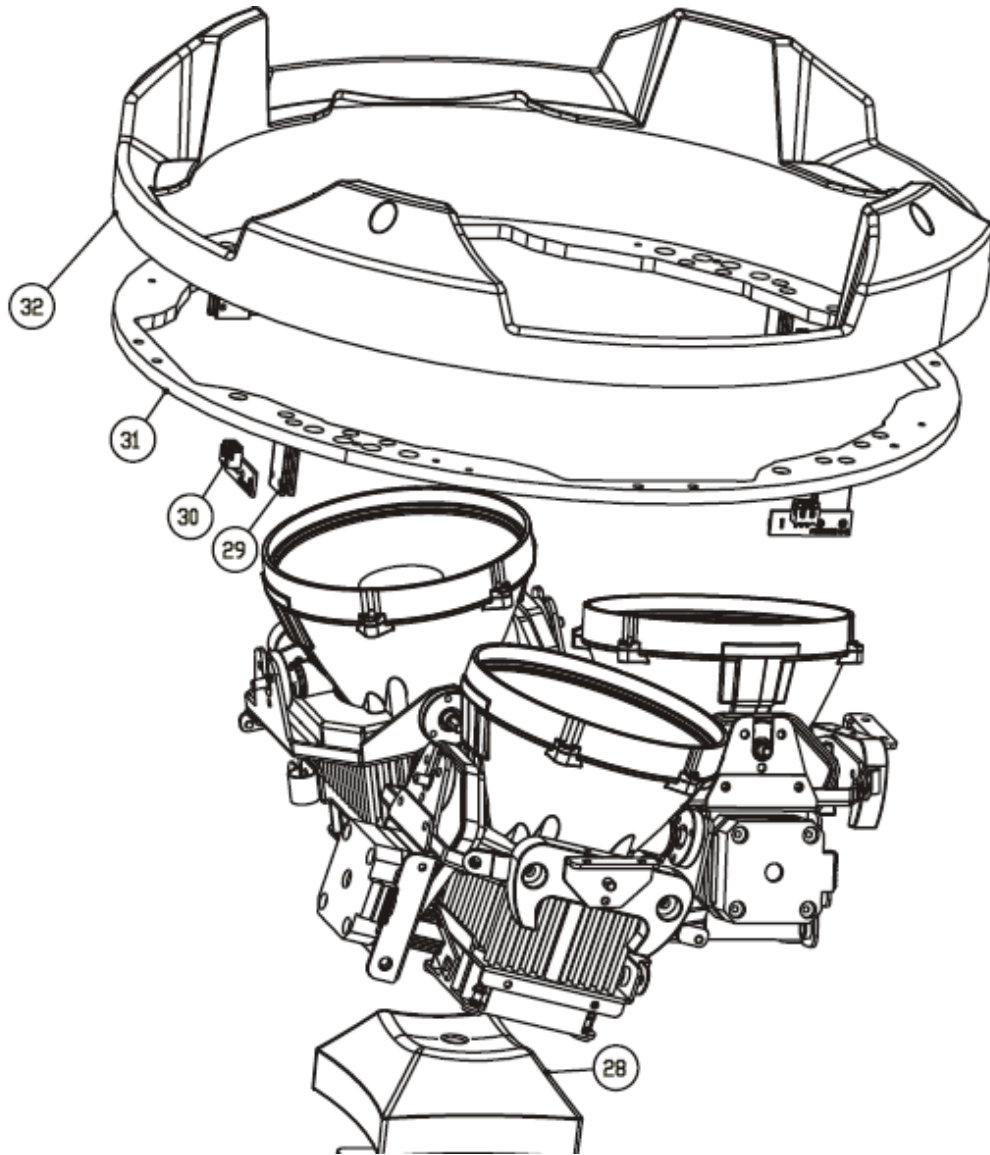




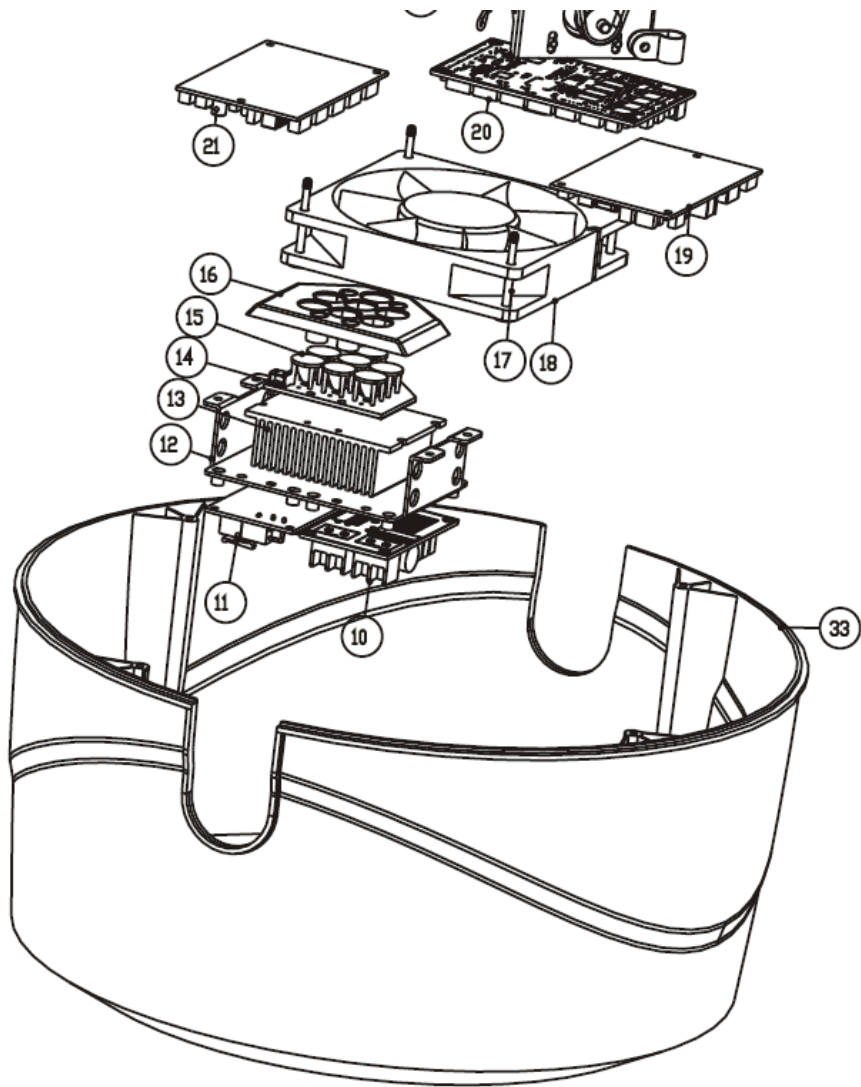
Reference Number	Fixture	HES Description	HES Part Number
2	Quad	PAN LOCK	H7190042
3	Quad	RUBBER SLEEVE	HW6948
11	Quad	SENSOR TILT HOMING	H7300094
17	Quad	PCB PAN, TILT	H7190018



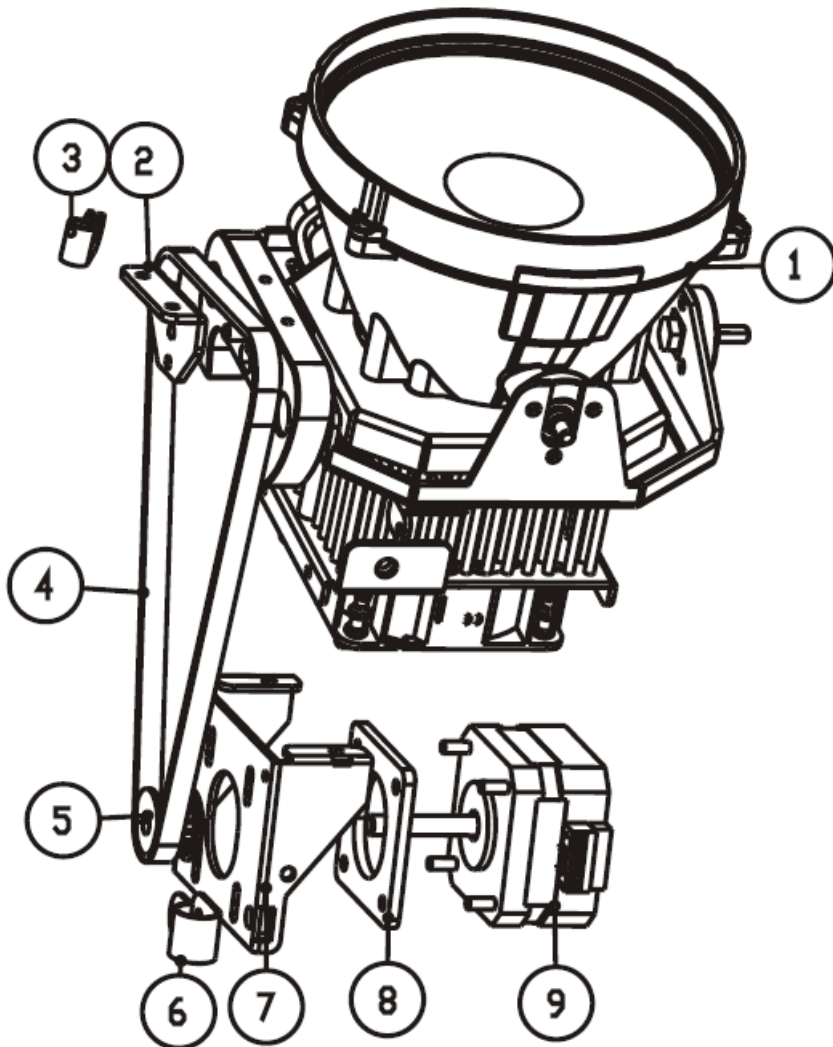
Reference Number	Fixture	HES Description	HES Part Number
1	Quad	MOTOR TILT	H7280035
6	Quad	SENSOR ENCODER	H7190017
8	Quad	BELT TILT	H7800008



Reference Number	Fixture	HES Description	HES Part Number
30	Quad	SENSOR MODULE PAN	H7290019
32	Quad	COVER HEAD UPPER	H7190024



Reference Number	Fixture	HES Description	HES Part Number
10	Quad	PCB LED POWER DISTRIBUTION	H7190029
11	Quad	PCB MODULE POWER DISTRIBUTION	H7190028
14	Quad	PCB INDIGO HIGHLIGHTER	H7190027
15	Quad	LENS INDIGO HIGHLIGHTER	H7320035
17	Quad	MOUNT FAN RUBBER	H7190026
19	Quad	PCB MODULES 1 & 2 PAN TILT 3U	H7190025
20	Quad	PCB LED CONTROL 5U	H7190022
21	Quad	PCB MODULES 3 & 4 PAN TILT 4U	H7190023



Reference Number	Fixture	HES Description	HES Part Number
4	Quad	BELT MODULE PAN	H7190031
9	Quad	MOTOR MODULE PAN	H7190030

Quad PCB Identifiers

PCB Software ID	Controls
1U	Display
2U	Pan/Tilt
3U	Module 1 & 2 Pan/Tilt
4U	Module 3 & 4 Pan/Tilt
5U 01	Module 1 & 2 LED's
5U 02	Module 3& 4 LED's

QUAD RECOMMENDED SPARES**BASED ON 20 FIXTURES**

	PART NUMBER	DESCRIPTION	QUANTITY
	H7190010	PCB DISPLAY ASSEMBLY 1U	1
	H7190027	PCB INDIGO HIGHLIGHTER	1
	H7190022	PCB LED CONTROL 5U	1
	H7190029	PCB LED POWER DISTRIBUTION	1
	H7190035	PCB MODULE LED	1
	H7190028	PCB MODULE POWER DISTRIBUTION	1
	H7190025	PCB MODULES 1 & 2 PAN TILT 4U	1
	H7190023	PCB MODULES 3 & 4 PAN TILT 3U	1
	H7190018	PCB PAN TILT 2U	1
	H7190009	PCB XLR MALE	1
	H7190003	POWER SUPPLY LED	1
	H7190004	POWER SUPPLY MOTOR	1
	H7190017	SENSOR ENCODER	1
	H7190020	SENSOR ENCODER TILT	1
	H7290019	SENSOR MODULE PAN	1
	H7290017	SENSOR MODULE TILT	1
	H7300094	SENSOR TILT HOMING	1
	H7600024	FUSE 8A 250V 5X20 SLOW BLOW	1