

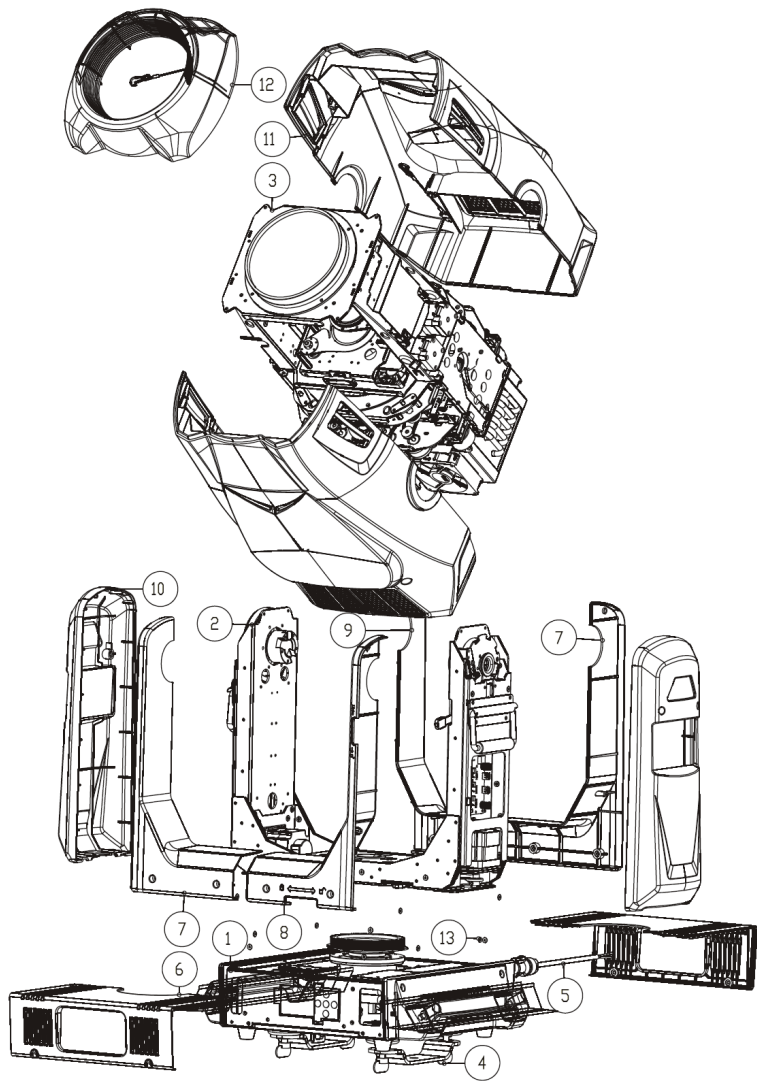


# HIGH END SYSTEMS

## Exploded Diagram **SolaFrame 3000**

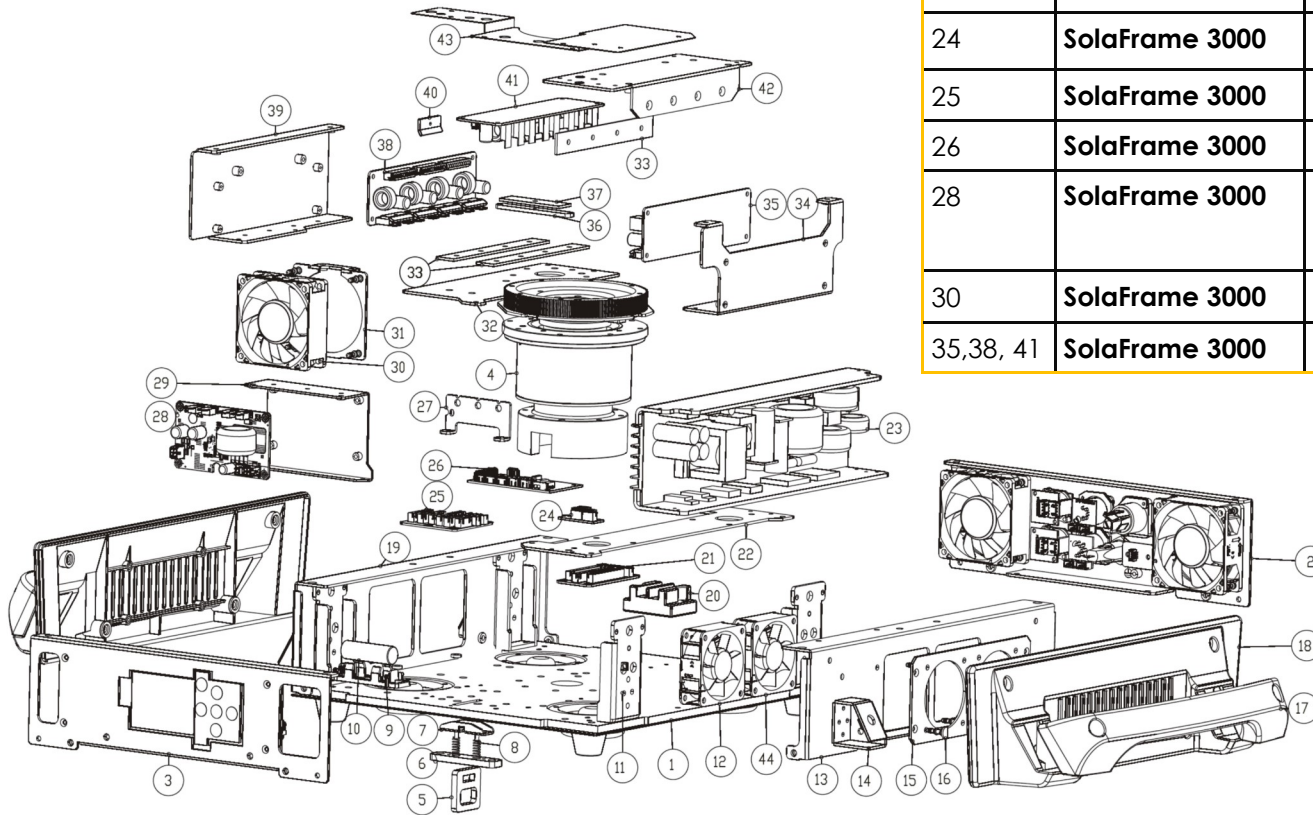


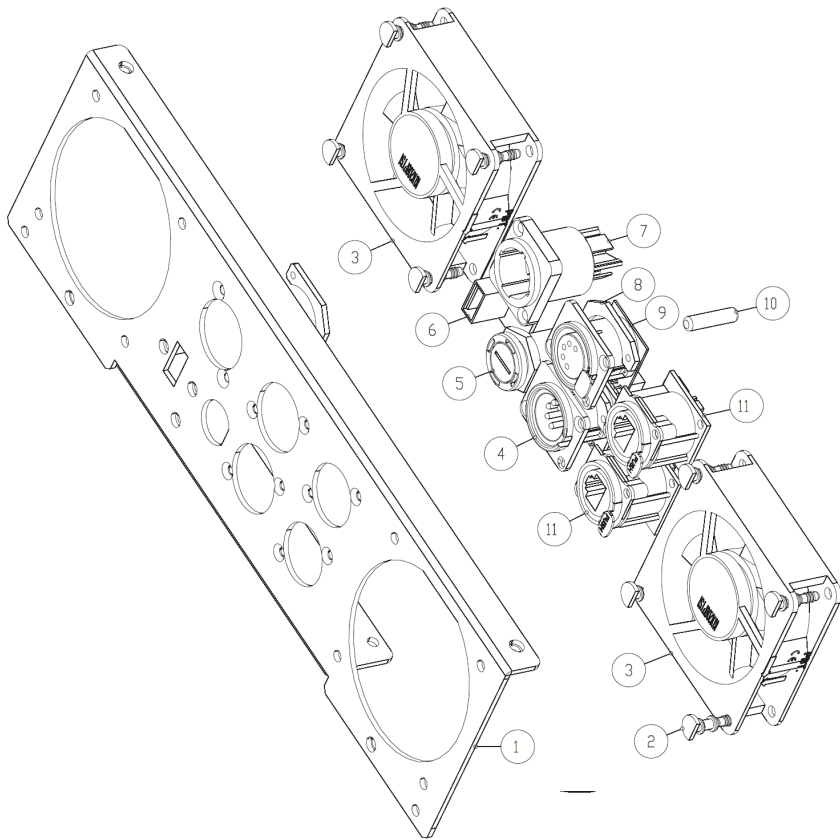
Part Number	Fixture Name	Color	Packaging
2581A1200	<b>SolaFrame 3000, Ultra-Brite</b>	Black	Road Case
2581A1200-B	<b>SolaFrame 3000, Ultra-Brite</b>	Black	Molded Insert
2581A1200-F	<b>SolaFrame 3000, Ultra-Brite</b>	Black	<i>Fixture Only</i>
2581A1201	<b>SolaFrame 3000, High Fidelity</b>	Black	Road Case
2581A1201-B	<b>SolaFrame 3000, High Fidelity</b>	Black	Molded Insert
2581A1201-F	<b>SolaFrame 3000, High Fidelity</b>	Black	<i>Fixture Only</i>



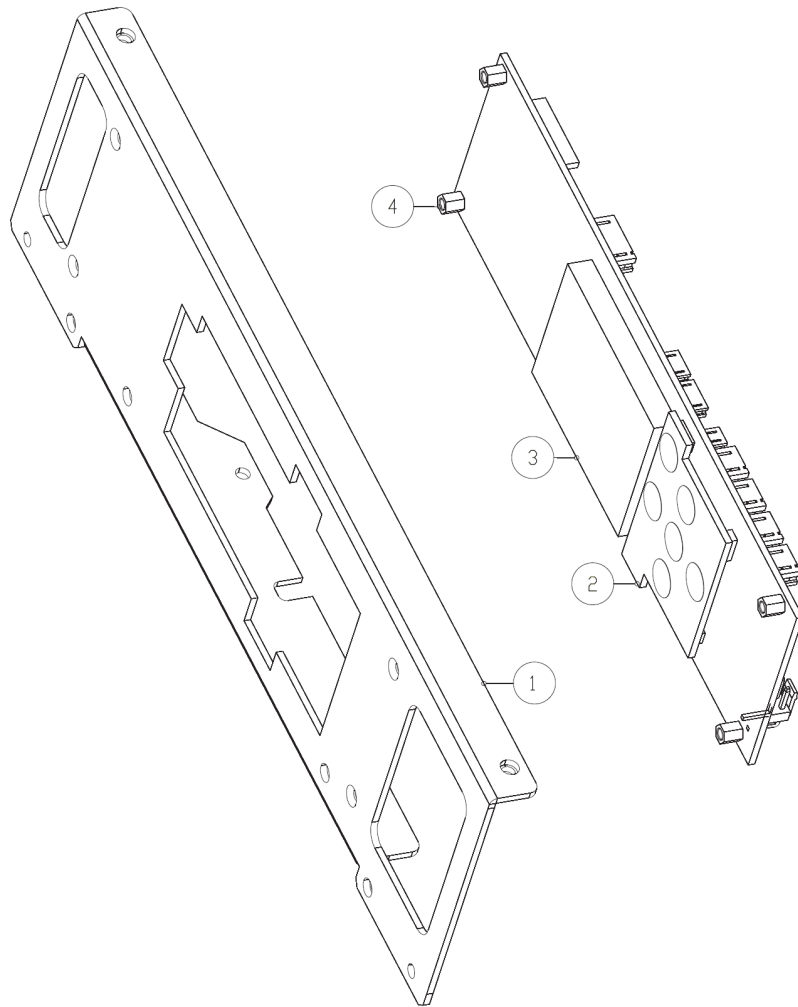
Reference Number	Fixture	HES Description	HES Part Number
5	<b>SolaFrame 3000</b>	Power Cord TRU1	H7000017
6	<b>SolaFrame 3000</b>	Cover Base Front/Rear	2581A4006
7	<b>SolaFrame 3000</b>	Cover Yoke Front Rear Right	2581A4004
8	<b>SolaFrame 3000</b>	Cover Yoke Lock Side	2581A4002
9	<b>SolaFrame 3000</b>	Cover Yoke Rear Left	2581A4003
10	<b>SolaFrame 3000</b>	Cover Yoke Arm	2581A4005
11	<b>SolaFrame 3000</b>	Cover Head	2581A4008
12	<b>SolaFrame 3000</b>	Cover Head Front	2581A4007

Reference Number	Fixture	HES Description	HES Part Number
3	<b>SolaFrame 3000</b>	PCB Display Assembly 1U	2581B5003
3	<b>SolaFrame 3000</b>	PCB Display 1U	2581B5023
10	<b>SolaFrame 3000</b>	Battery Display	BT168
12	<b>SolaFrame 3000</b>	Fan Base 12cm Wire	B1092
20	<b>SolaFrame 3000</b>	Terminal Block	J30194
21	<b>SolaFrame 3000</b>	PCB Junction Base	2581B5005
23	<b>SolaFrame 3000</b>	Power Supply Assembly	PS483
24	<b>SolaFrame 3000</b>	PCB Junction Fans Base	2581B5025
25	<b>SolaFrame 3000</b>	PCB Junction PWM	2581B5008
26	<b>SolaFrame 3000</b>	PCB LED Control	2581B5012
28	<b>SolaFrame 3000</b>	PCB DC Converter 48V to 28V	2581B5002
30	<b>SolaFrame 3000</b>	Fan Base 28cm	B1084
35,38, 41	<b>SolaFrame 3000</b>	LED Driver Assembly	2581A2062

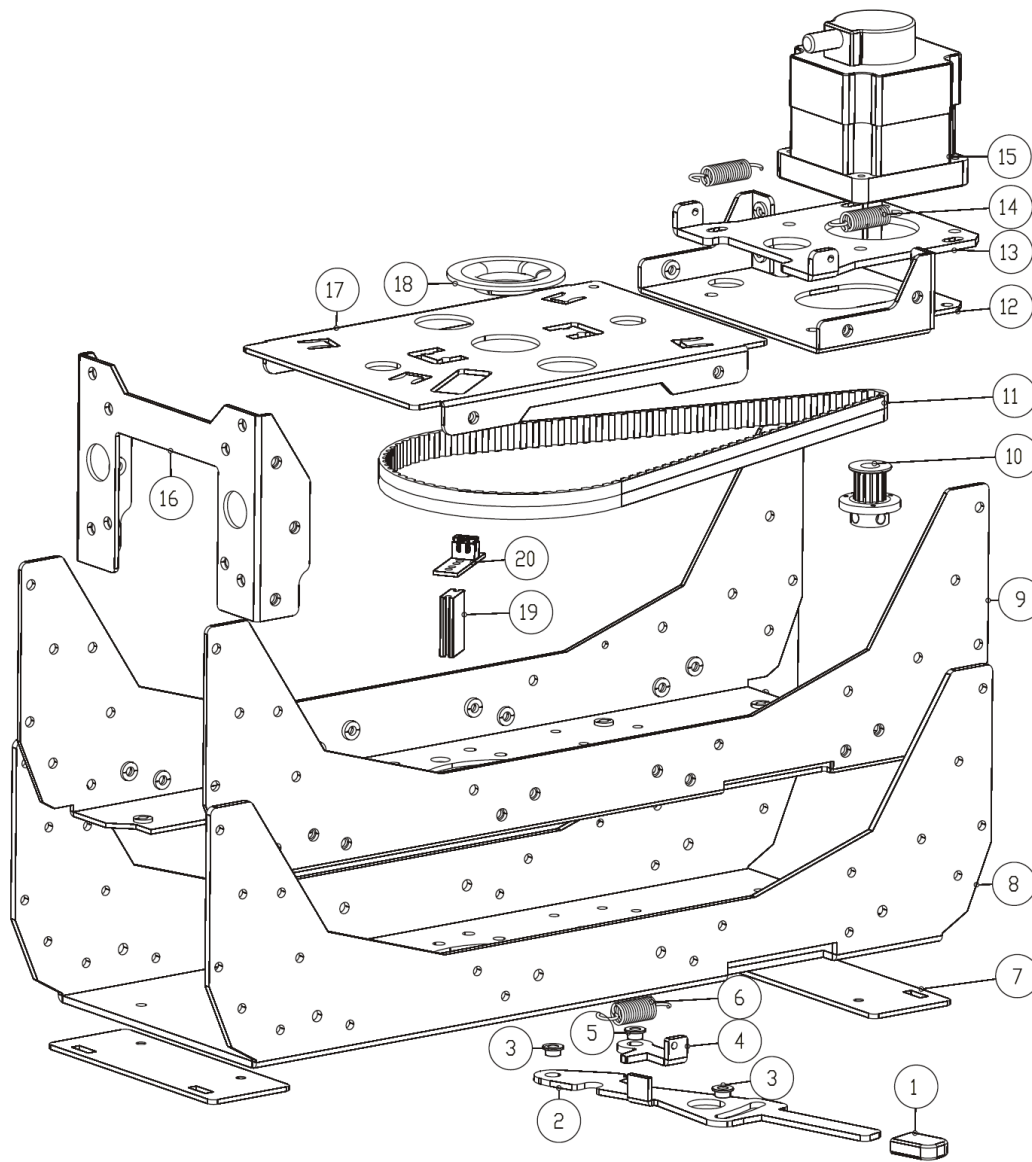




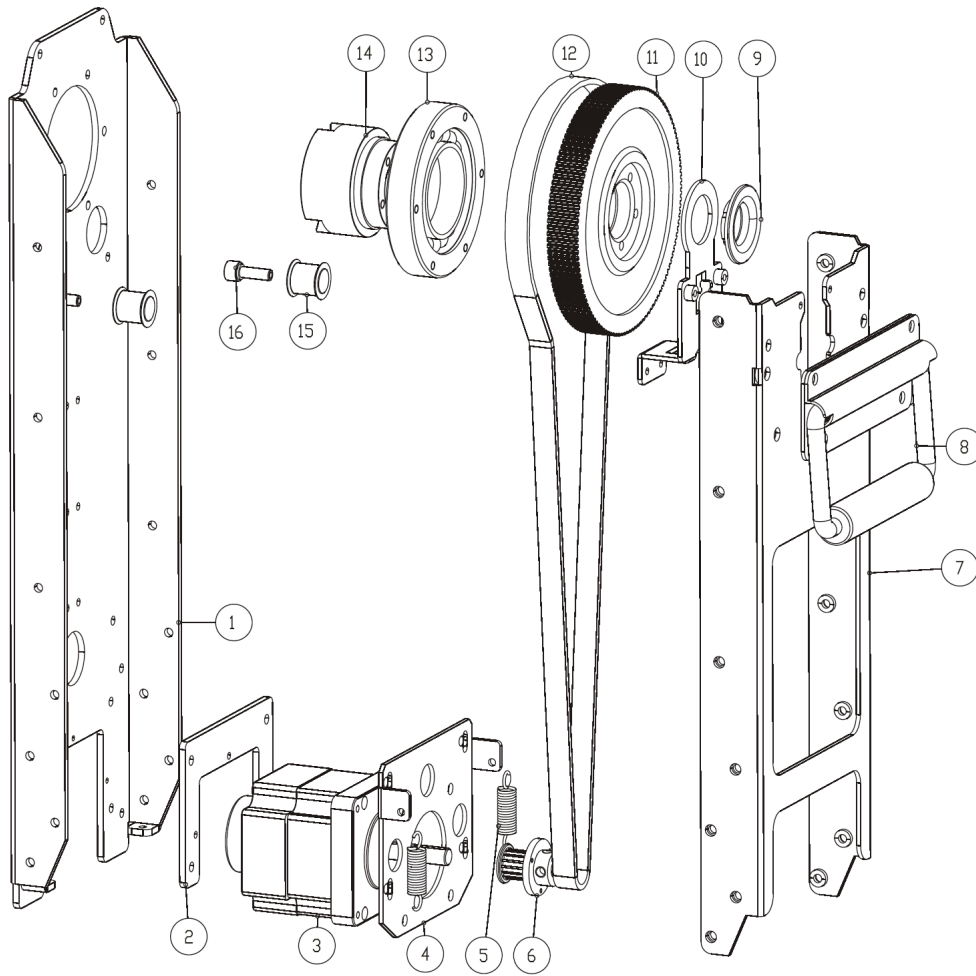
Reference Number	Fixture	HES Description	HES Part Number
1	<b>SolaFrame 3000</b>	REAR PANEL	2581A3037
3	<b>SolaFrame 3000</b>	Fan Base Rear Panel	B1089
5	<b>SolaFrame 3000</b>	Fuse Holder	X217
6	<b>SolaFrame 3000</b>	PCB USB	2581B5015
10	<b>SolaFrame 3000</b>	Fuse 20A 250V 6X32	F397



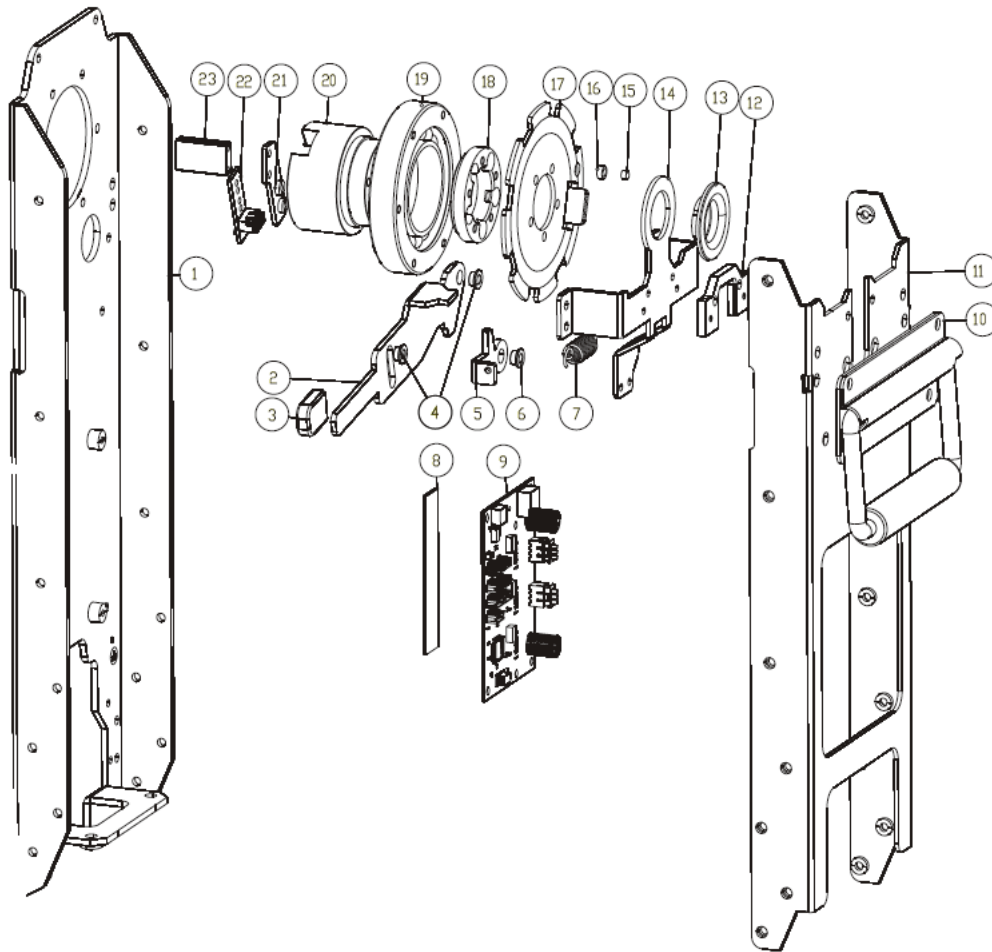
Reference Number	Fixture	HES Description	HES Part Number
2	<b>SolaFrame 3000</b>	PCB Button Board	2581B2024
3	<b>SolaFrame 3000</b>	PCB Display 1U	2581B5023



Reference Number	Fixture	HES Description	HES Part Number
1	<b>SolaFrame 3000</b>	Rubber Sleeve	HW6948
2	<b>SolaFrame 3000</b>	Pan Lock	2581A3003
15	<b>SolaFrame 3000</b>	Motor Pan/ Encoder	B2055
20	<b>SolaFrame 3000</b>	Pan/Tilt Homing Sensor	2581B5018

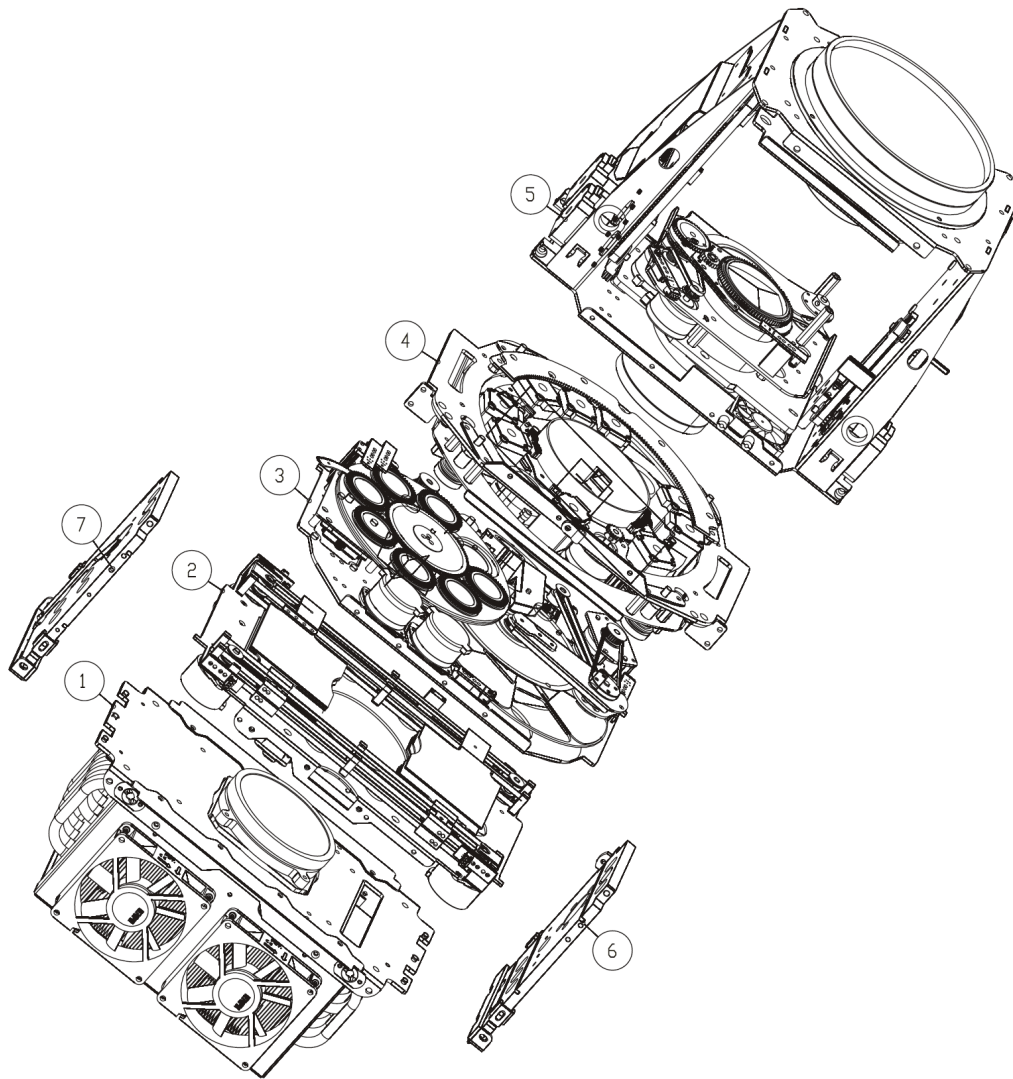


Reference Number	Fixture	HES Description	HES Part Number
3	SolaFrame 3000	Tilt Motor/ Encoder	B2057

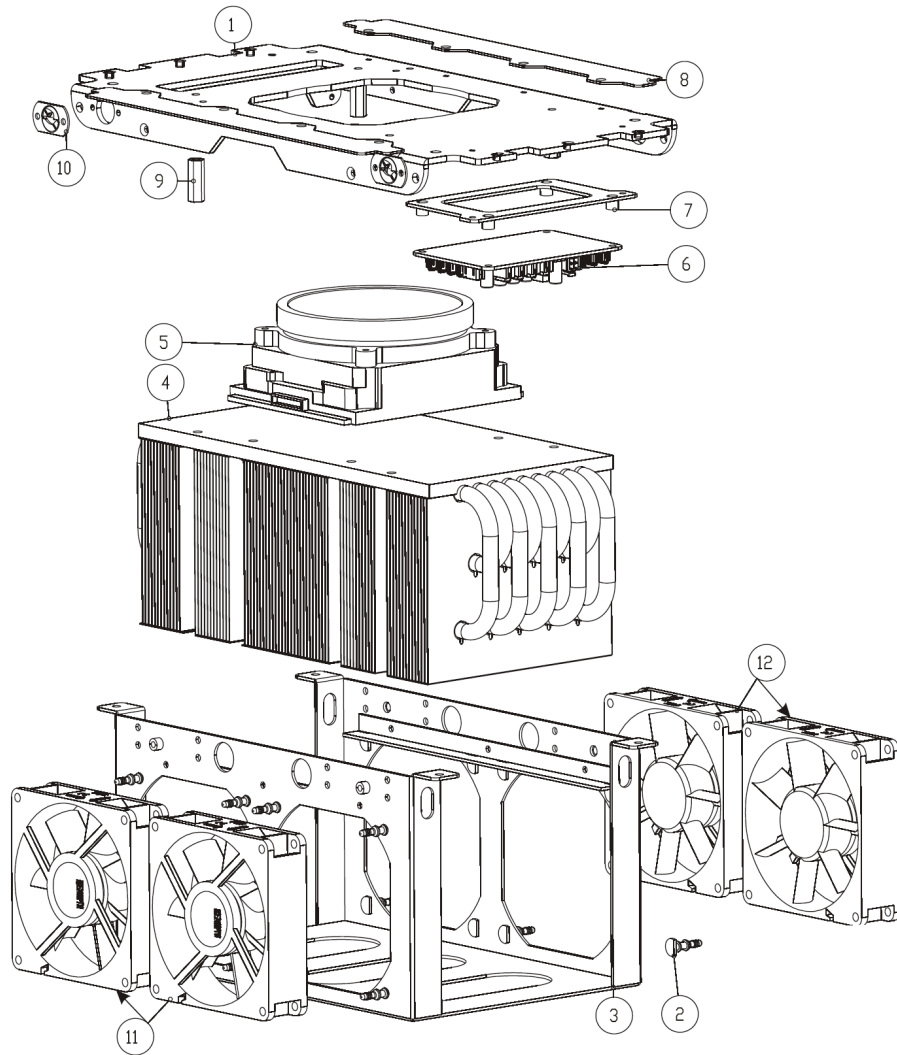


Reference Number	Fixture	HES Description	HES Part Number
2	<b>SolaFrame 3000</b>	Tilt Lock	2581A3006
3	<b>SolaFrame 3000</b>	Rubber Sleeve	HW6948
9	<b>SolaFrame 3000</b>	PCB Pan/Tilt 2U	2581B5014
22	<b>SolaFrame 3000</b>	Sensor Tilt	2581B5018

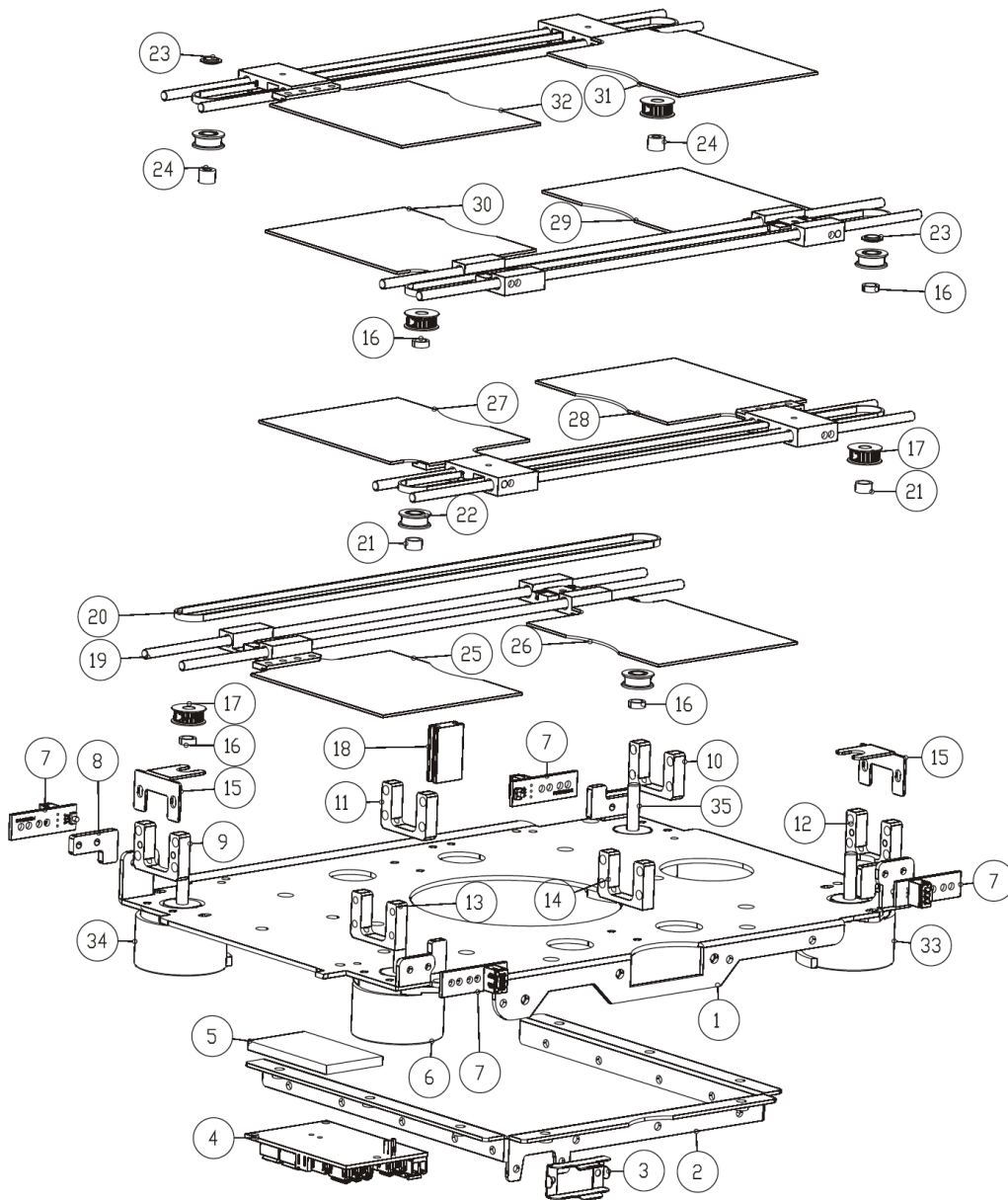




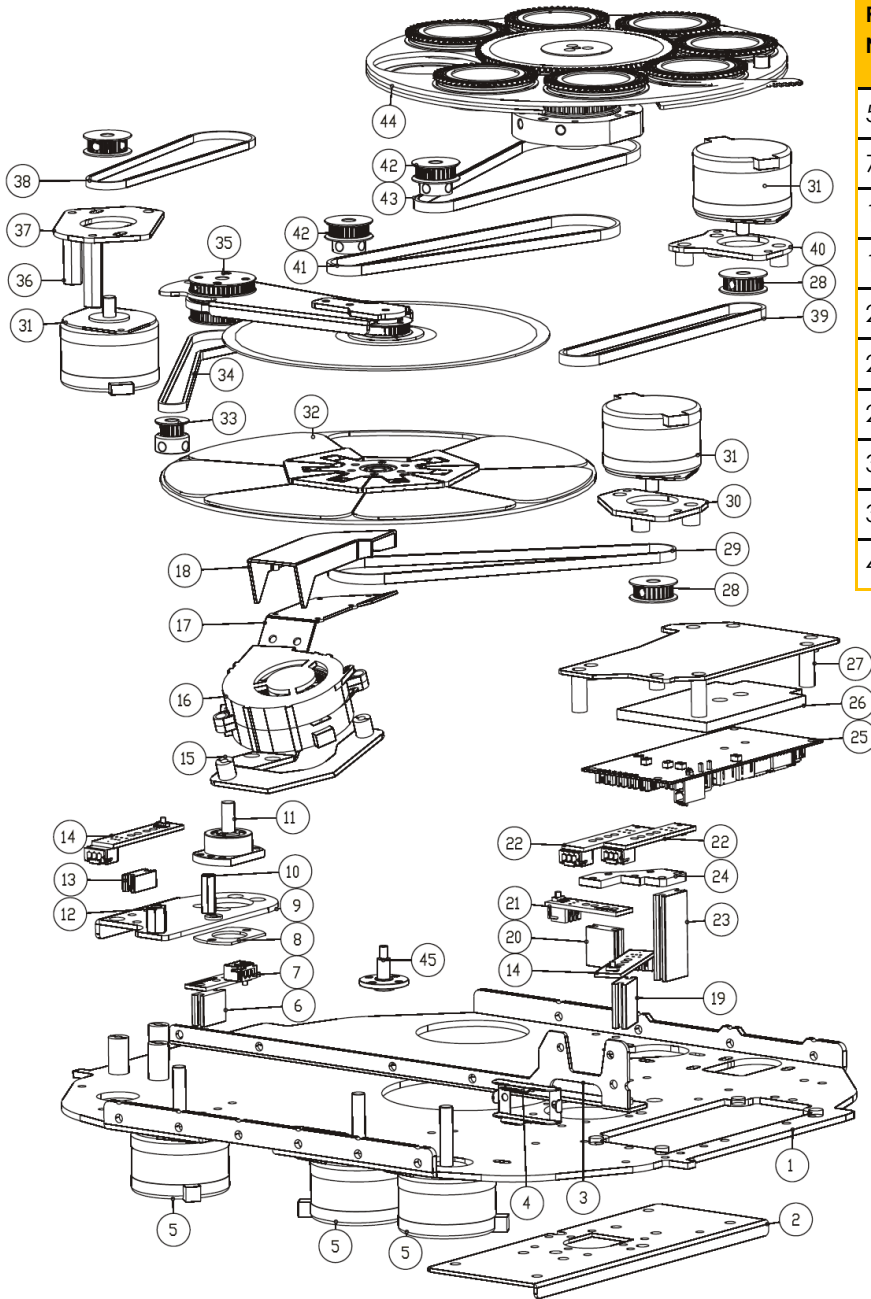
Reference Number	Fixture	HES Description	HES Part Number
2	<b>SolaFrame 3000</b>	Module CMY	2581A2034
3	<b>SolaFrame 3000</b>	Module Gobo	2581A2033
4	<b>SolaFrame 3000</b>	Module Framing	2581A2032
5	<b>SolaFrame 3000</b>	Module Zoom Focus	2581A2031



Reference Number	Fixture	HES Description	HES Part Number
4	<b>SolaFrame 3000</b>	Heatsink LED	HS207
5	<b>SolaFrame 3000</b>	LED Light Engine Ultra Bright	2581B2002
5	<b>SolaFrame 3000</b>	LED Light Engine Hi Fidelity	2581B2001
6	<b>SolaFrame 3000</b>	PCB Junction Fans Base 8U	2581B5006
11	<b>SolaFrame 3000</b>	Fan LED 22cm Wire Length	B1091
12	<b>SolaFrame 3000</b>	Fan LED 25cm Wire Length	B1087

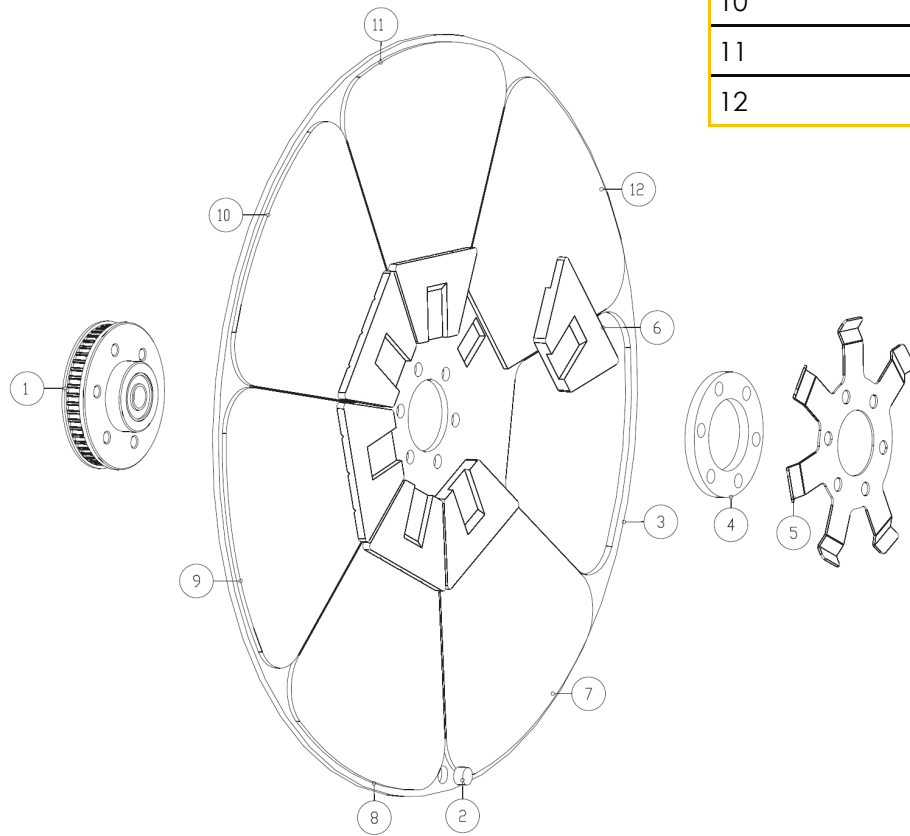


Ref. No.	HES Description	HES Part Number
4	PCB Color Mix 7U	2581B5001
7	Sensor Color Mix	H7300094
25	Magenta Flag Bottom	2581A2040
26	Magenta Flag Top with magnet	2581A2041
27	Cyan Flag Bottom	2581A2038
28	Cyan Flag Top with magnet	2581A2039
29	Yellow Flag Bottom with magnet	2581A2042
30	Yellow Flag Top	2581A2043
31	CTO Flag Top	2581A2036
32	CTO Flag Bottom with magnet	2581A2037



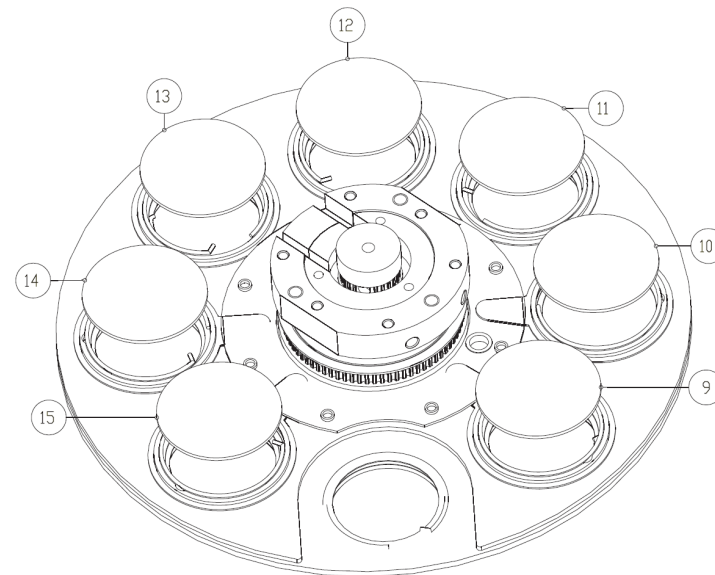
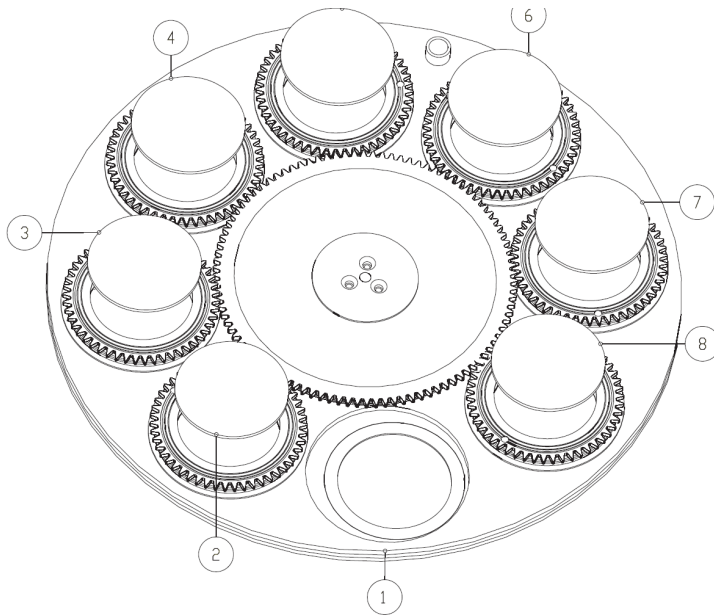
Reference Number	Fixture	HES Description	HES Part Number
5	SolaFrame 3000	Motor Gobo Rotate	B2046
7	SolaFrame 3000	Sensor Color Wheel	H7300117
14	SolaFrame 3000	Sensor Animation Wheel	H7300164
16	SolaFrame 3000	Fan Gobo Module	B1086
21	SolaFrame 3000	Sensor Animation Rotate	2581B5038
22	SolaFrame 3000	Sensor Gobo Rotate	H7300118
25	SolaFrame 3000	PCB Gobo Module	2581B5004
32	SolaFrame 3000	Wheel Color	2581A2046
35	SolaFrame 3000	Wheel Animation	2581A2045
44	SolaFrame 3000	Wheel Rotating Gobo/Static Gobo Assembly	2581A2047

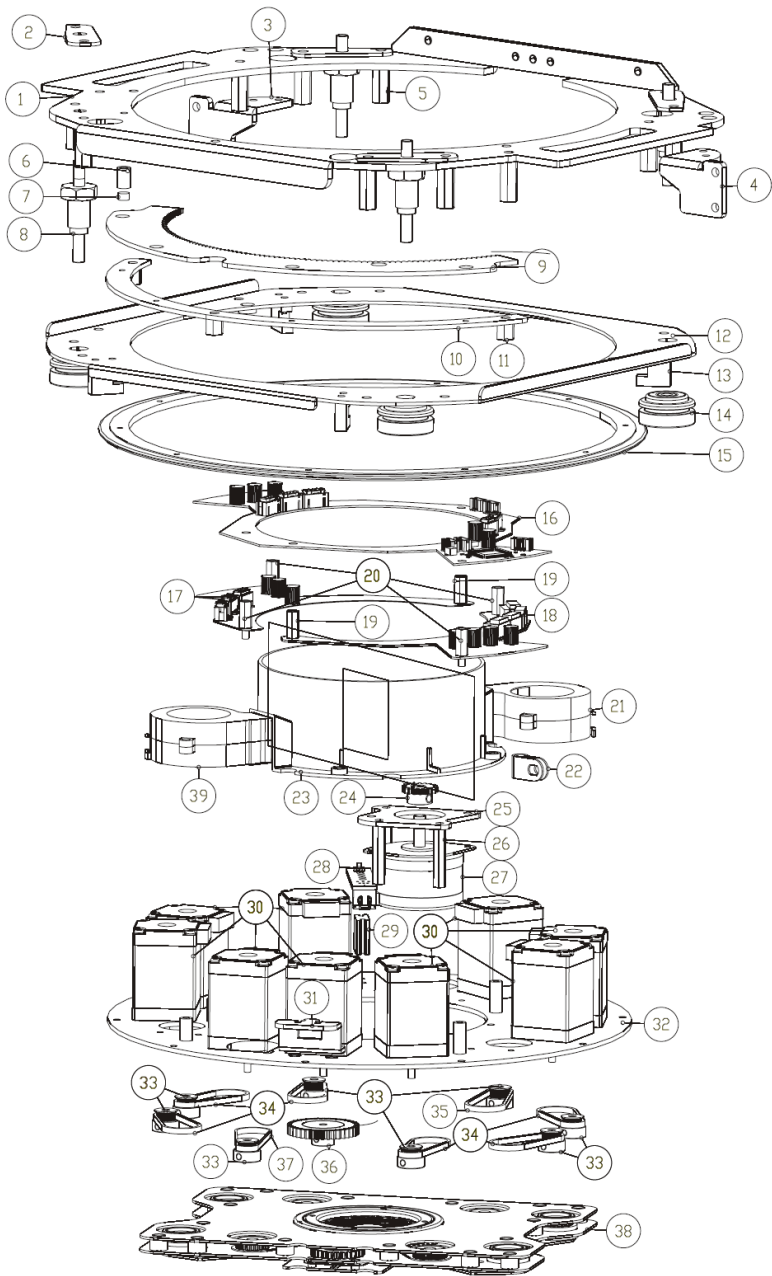
Reference Number	Fixture	HES Description	HES Part Number
3	<b>SolaFrame 3000</b>	Wheel Color	2581A2046
6	<b>SolaFrame 3000</b>	Color Wedge Mount	2581A3016
7	<b>SolaFrame 3000</b>	Color Wedge Red	2581A2019
8	<b>SolaFrame 3000</b>	Color Wedge Blue	2581A2020
9	<b>SolaFrame 3000</b>	Color Wedge Green	2581A2021
10	<b>SolaFrame 3000</b>	Color Wedge TM-30	2581A2022
11	<b>SolaFrame 3000</b>	Color Wedge Orange	2581A2023
12	<b>SolaFrame 3000</b>	Color Wedge Dark Blue	2581A2024



Reference Number	Fixture	HES Description	HES Part Number
1	SolaFrame 3000	Wheel Gobo Rotating	2581A2047
2	SolaFrame 3000	Gobo Bar	2581A2001
3	SolaFrame 3000	Gobo Stripe Strips	2581A2002
4	SolaFrame 3000	Gobo Crescents	2581A2003
5	SolaFrame 3000	Gobo GeoSwirl	2581A2004
6	SolaFrame 3000	Gobo Seashell	2581A2005
7	SolaFrame 3000	Gobo Pinwheel Dots	2581A2006
8	SolaFrame 3000	Gobo ICE	2581A2007

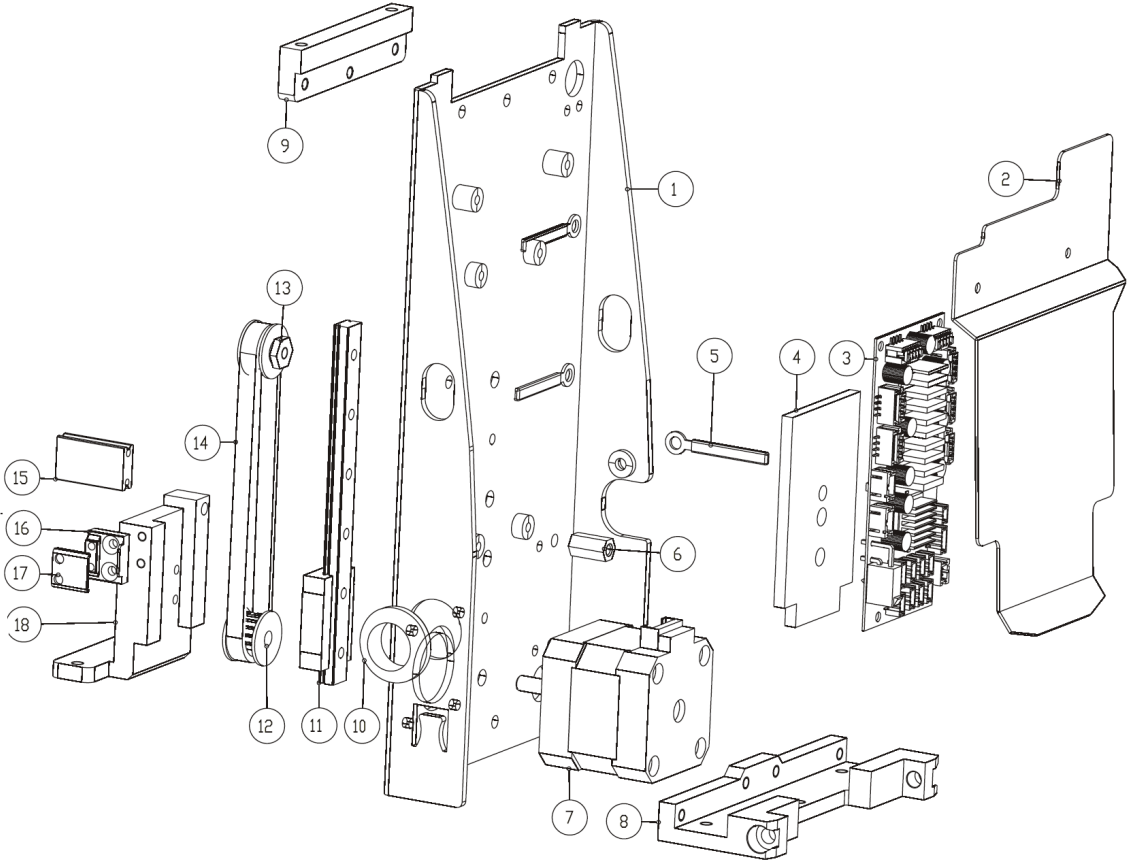
Reference Number	Fixture	HES Description	HES Part Number
9	SolaFrame 3000	Gobo Tunnel	2581A2008
10	SolaFrame 3000	Gobo Triangles	2581A2009
11	SolaFrame 3000	Gobo Organic	2581A2010
12	SolaFrame 3000	Gobo Shower	2581A2011
13	SolaFrame 3000	Gobo Abstract	2581A2012
14	SolaFrame 3000	Gobo Cobble	2581A2013
15	SolaFrame 3000	Gobo Endgrain	2581A2014





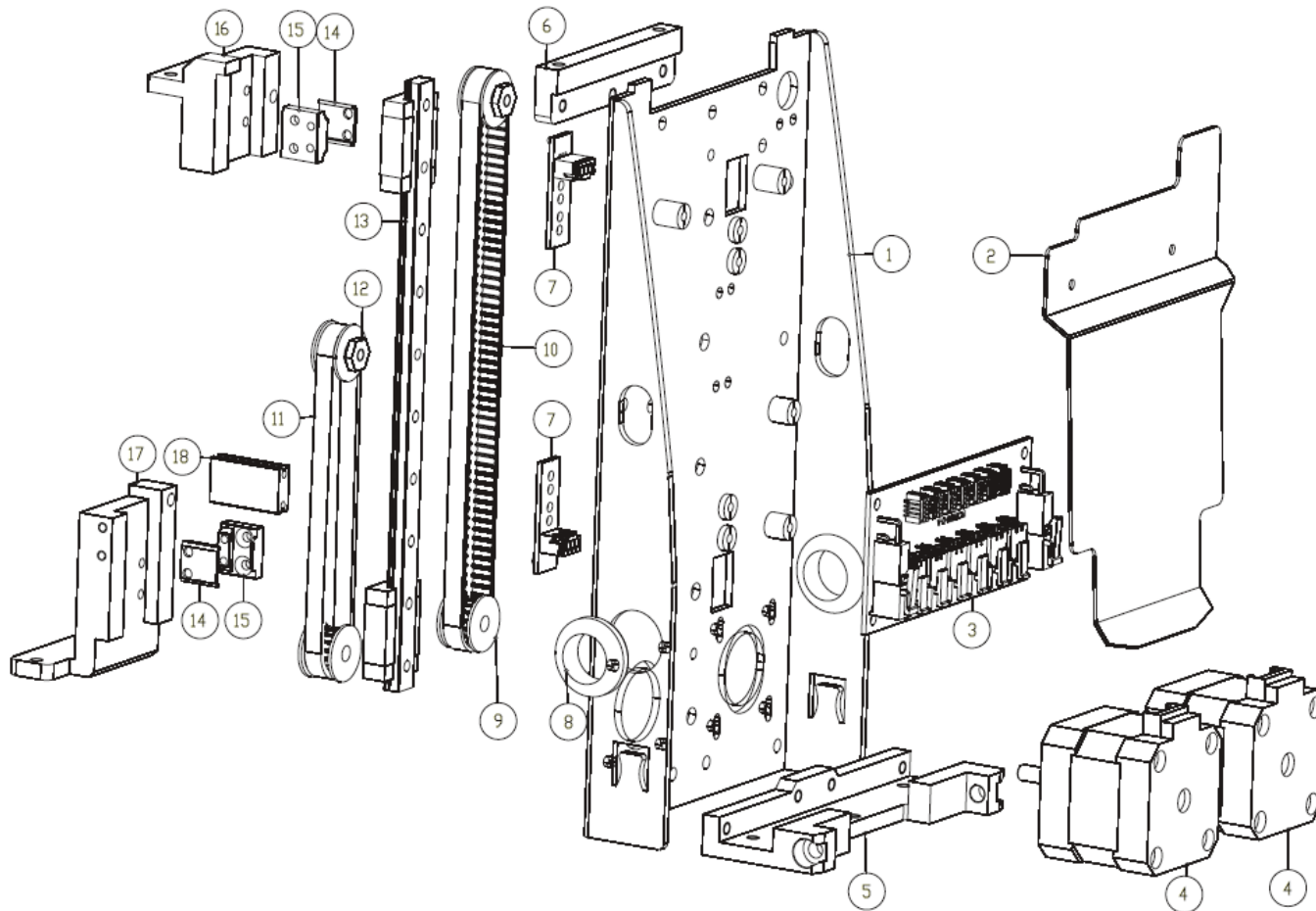
Reference Number	Fixture	HES Description	HES Part Number
16	<b>SolaFrame 3000</b>	PCB Framing Module/ Blades 2A & 3B 6U	2581B5020
17	<b>SolaFrame 3000</b>	PCB Framing Module 1B, 2B, 4B 6U	2581B5022
18	<b>SolaFrame 3000</b>	PCB Framing Module 1A, 3A, 4A 6U	2581B5021
38	<b>SolaFrame 3000</b>	Framing/Iris Assembly	2581A2044

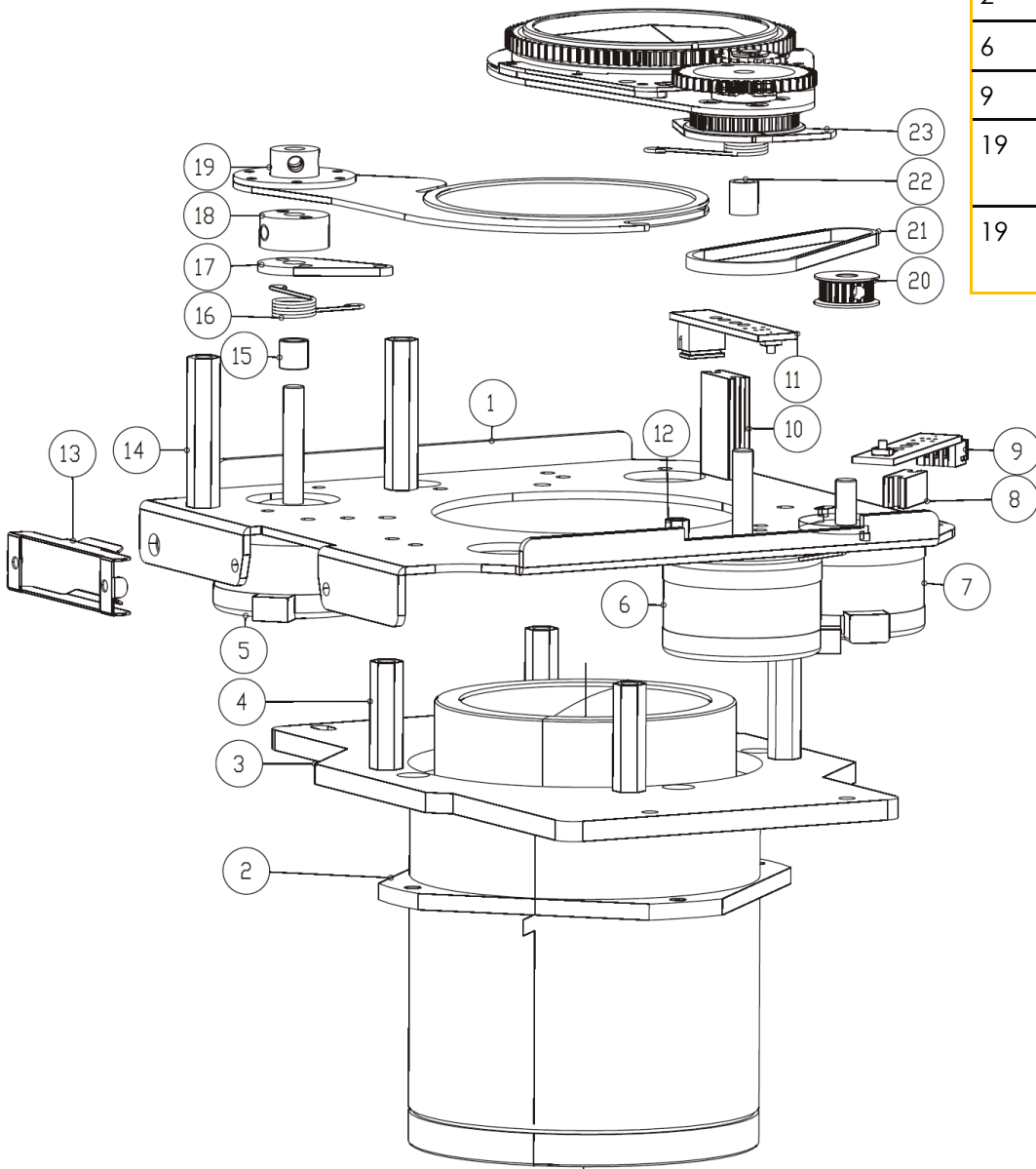
Reference Number	Fixture	HES Description	HES Part Number
3	SolaFrame 3000	PCB Junction Head	2581B5007
7	SolaFrame 3000	Focus Motor	H7300177
11	SolaFrame 3000	Focus Rail Bearing	2581A2133
14	SolaFrame 3000	Focus Belt	HW9537





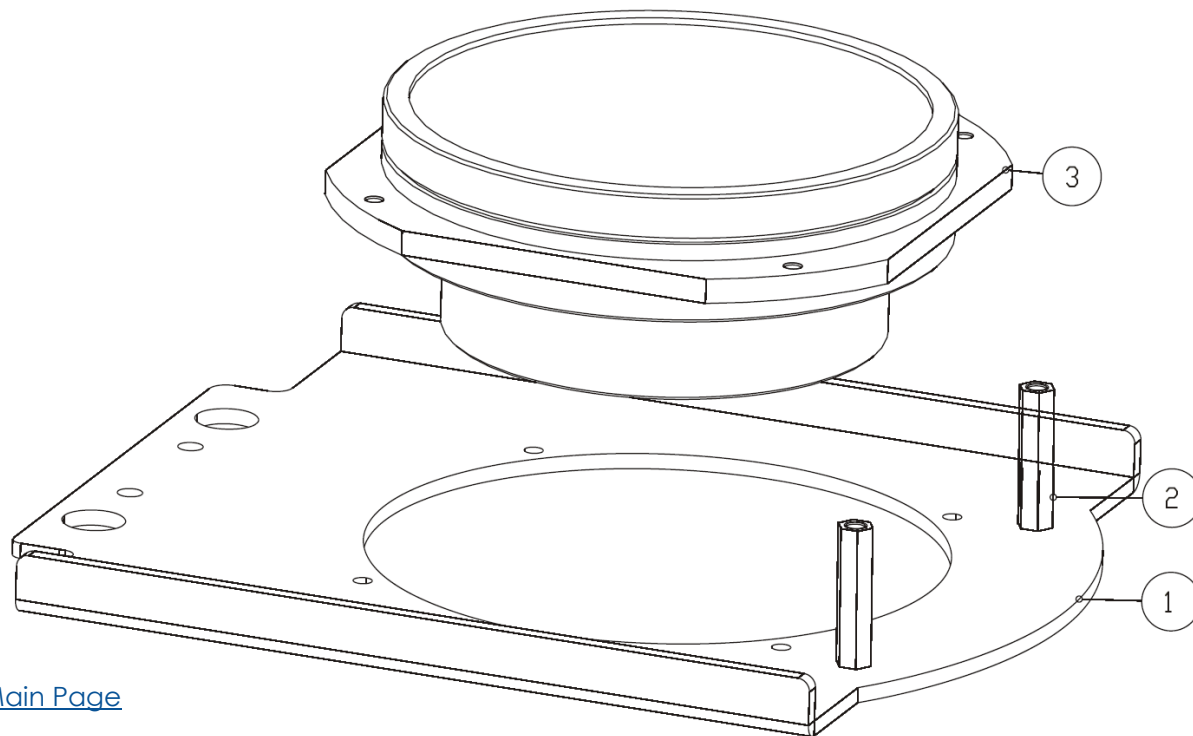
Reference Number	Fixture	HES Description	HES Part Number
3	SolaFrame 3000	PCB Junction	2581B5007
4	SolaFrame 3000	Focus, Zoom Motor	H7300177
7	SolaFrame 3000	Focus, Zoom Sensor	H7300094
10	SolaFrame 3000	Zoom Belt	HW9539
11	SolaFrame 3000	Focus Belt	HW9537
13	SolaFrame 3000	Zoom Rail Bearing	2581A2078



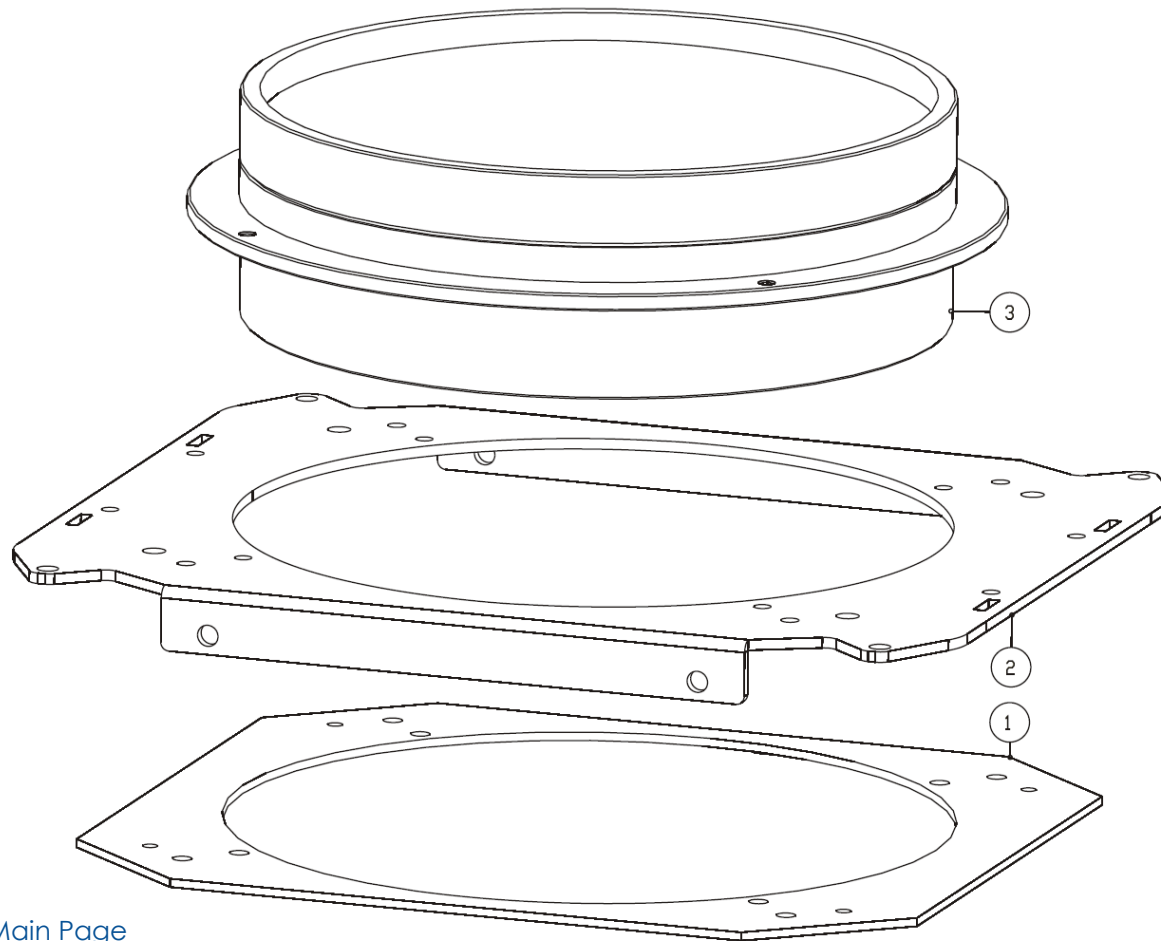


Reference Number	Fixture	HES Description	HES Part Number
2	<b>SolaFrame 3000</b>	Lens Focus	OP2099
6	<b>SolaFrame 3000</b>	Motor Prism Rotate	B2046
9	<b>SolaFrame 3000</b>	Sensor Prism	H7290017
19	<b>SolaFrame 3000</b>	Frost Assembly Light (Stock)	2581A2026
19	<b>SolaFrame 3000</b>	Frost Assembly Heavy	2581A2027

Reference Number	Fixture	HES Description	HES Part Number
3	SolaFrame 3000	Lens Zoom	OP2101



Reference Number	Fixture	HES Description	HES Part Number
1	<b>SolaFrame 3000</b>	PCB Lens Heater	2581B5013
3	<b>SolaFrame 3000</b>	Lens Output	OP2100



<b>Solaframe 3000 RECOMMENDED SPARES</b>			
<b>BASED ON 20 FIXTURES</b>			
	<b>PART NUMBER</b>	<b>DESCRIPTION</b>	<b>QUANTITY</b>
	2581B5003	PCB DISPLAY	1
	2581B5004	PCB GOBO MODULE	1
	2581B5005	PCB JUNCTION BASE	1
	H7310003	PCB JUNCTION FANS BASE	1
	2581B5006	PCB JUNCTION FANS HEAD	1
	2581B5007	PCB JUNCTION HEAD PCB1158	1
	2581B5008	PCB JUNCTION PWM	1
	2581B5009	PCB LED 1 DISTRIBUTION	1
	2581B5010	PCB LED 2 DISTRIBUTION	1
	2581B5011	PCB LED 3 DISTRIBUTION	1
	2581B5012	PCB LED CONTROL	1
	2581B5013	PCB LENS HEATER	1
	2581B5014	PCB PAN TILT	1
	2581B5015	PCB USB	1
	2581B5016	PCB ZOOM FOCUS PRISM PRISM ROTATE FROST	1
	PS483	POWER SUPPLY ASSEMBLY	1
	H7180036	SENSOR ANIMATION ROTATE	1
	H7300094	SENSOR COLOR MIX, FOCUS, ZOOM, TILT HOMING,	1
	H7300117	SENSOR COLOR WHEEL	1
	2581B5017	SENSOR FRAMING ROTATE	1
	2581B5018	SENSOR PAN	1
	H7290017	SENSOR PRISM	1
	H7300164	SENSOR PRISM ROTQATE	1
	2581B5019	SENSOR ROTATING GOBO GOBO ROTATE	1
	H7280056	SENSOR STATIC GOBO, ANIMATION WHEEL	1
	2581B2002	LED LIGHT ENGINE ULTRA BRIGHT <70 CRI	1
	OR		
	2581B2001	LED LIGHT ENGINE HI FIDELITY <95 CRI	1

# SolaFrame 3000 PCB Identifiers

PCB Software ID	Controls	Location in Fixture
<b>1U</b>	Display	Base, front panel
<b>2U</b>	Pan, Tilt	Lock Side Arm
<b>3U</b>	LED Control	Base, behind front panel
<b>4U</b>	Focus, Prism, Zoom, Frost	Head, under metal plate
<b>5U</b>	Animation, Animation Rotate, Gobo 1, Gobo 1 Rotate, Gobo 2, Color	Head, on gobo module
<b>6U</b>	Framing Rotate, Framing Blades, Iris	Head, on framing module
<b>7U</b>	Color Mix	Head, on color module
<b>8U</b>	LED Fan Control	Head, LED Engine Fan Housing

# SolaFrame 3000 Miscellaneous Parts

[Main Page](#)

## Rotating Gobo Dimensions

Outside Diameter	30 mm (1.18 in)
Image Diameter	25 mm (.98 in)
Materials	0.5 mm Aluminum or 1.1 mm Glass Borofloat



## Fixed Gobo Dimensions

Outside Diameter	33 mm (1.29 in)
Image Diameter	25 mm (.98 in)
Materials	0.5 mm Aluminum

## Accessories








Model #	Description
2560B7004	Fixture Power Cord upgrade, 5-20 Edison to powerCON TRUE1™, 20A
2560B7005	Fixture Power Cord upgrade, Stage Pin to powerCON TRUE1™, 20A
2560B7006	Fixture Power Cord upgrade, L6-20 to powerCON TRUE1™, 20A
2560B7007	Fixture Power Cord upgrade, L5-20 to powerCON TRUE1™, 20A
67040007	MegaClaw™
55040014	Cheeseborough 2" Alloy 1/2 Coupler Truss Clamp
67040010	Mini-Claw™

## Rotating Gobo Wheel

	1 - Bar
	2 - Stripe Strips
	3 - Crescents
	4 - GeoSwirl
	5 - Seashell (Magnetically indexed adaptor)
	6 - Pinwheel Dots
	7 - Ice

HES Part Number
2581A2001
2581A2002
2581A2003
2581A2004
2581A2005
2581A2006
2581A2007

## Fixed Gobo Wheel

	1 - Tunnel
	2 - Triangles
	3 - Organic
	4 - Shower
	5 - Abstract
	6 - Cobble
	7 - Endgrain

HES Part Number
2581A2008
2581A2009
2581A2010
2581A2011
2581A2012
2581A2014



*\*\*Seashell gobo contains homing magnet and must be placed back in same position in order to Home properly.*

Gobo Holders	HES Part Number
Gobo Holder Rotating- <b>With Magnet</b>	2581A3011
Gobo Holder Rotating- <b>Without Magnet</b>	2581A3010
Gobo Holder Static Wheel	2581A3015
Gobo Spring- <b>Rotating &amp; Static</b>	HW7496

## Accessories

Model #	Description
67040010	Mini-Claw
67040007	Mega-Claw
55040014	Cheeseborough Two Alloy 1/2 Couple Truss Clamp
<b>Uploader</b>	H7000000