



HIGH END SYSTEMS
an **ETC** Company

SolaFrame Theatre



Part Number	Fixture Name	Color	Packaging
H7010030	SolaFrame Theatre	Black	Box
<i>By Request</i>	SolaFrame Theatre	White	Box

[Gobo Information](#)

[Fixture Accessories](#)

[PCB Information](#)

[Fixture Drawings](#)

[HES Main Parts List](#)

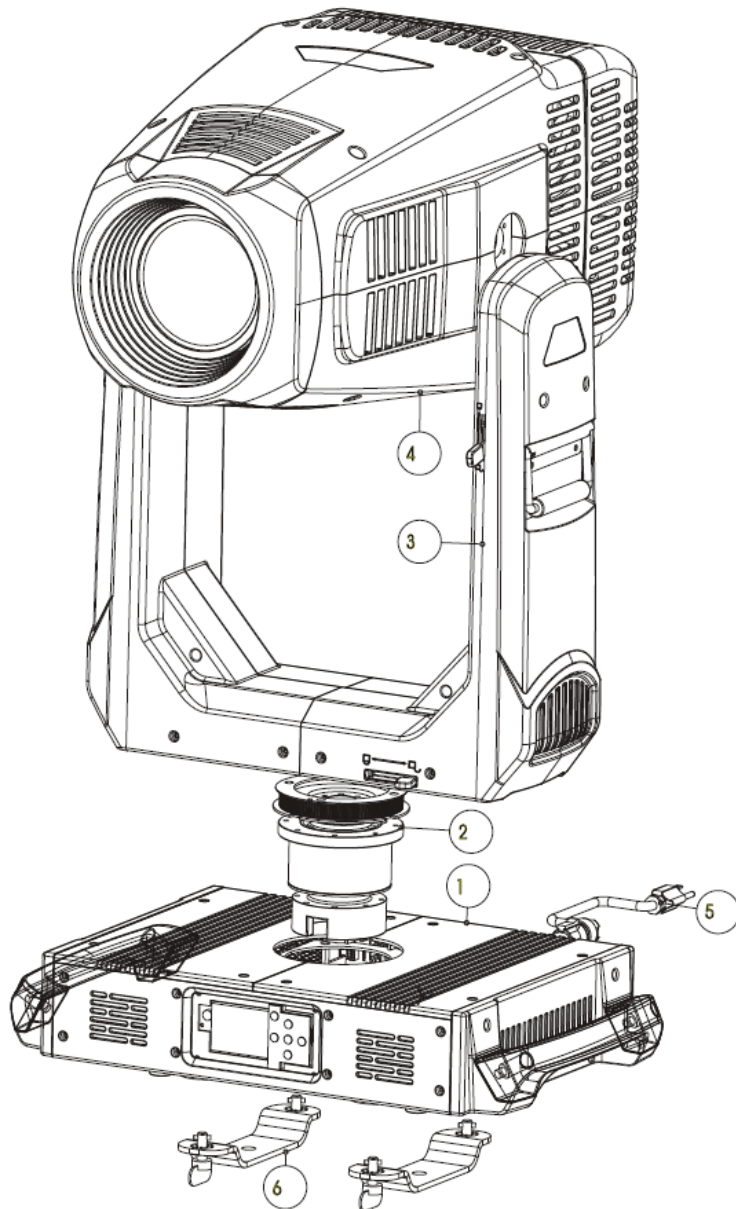
[Recommended Spares List](#)

[Technical Data Sheet](#)

[Main Page](#)

[User Manual](#)

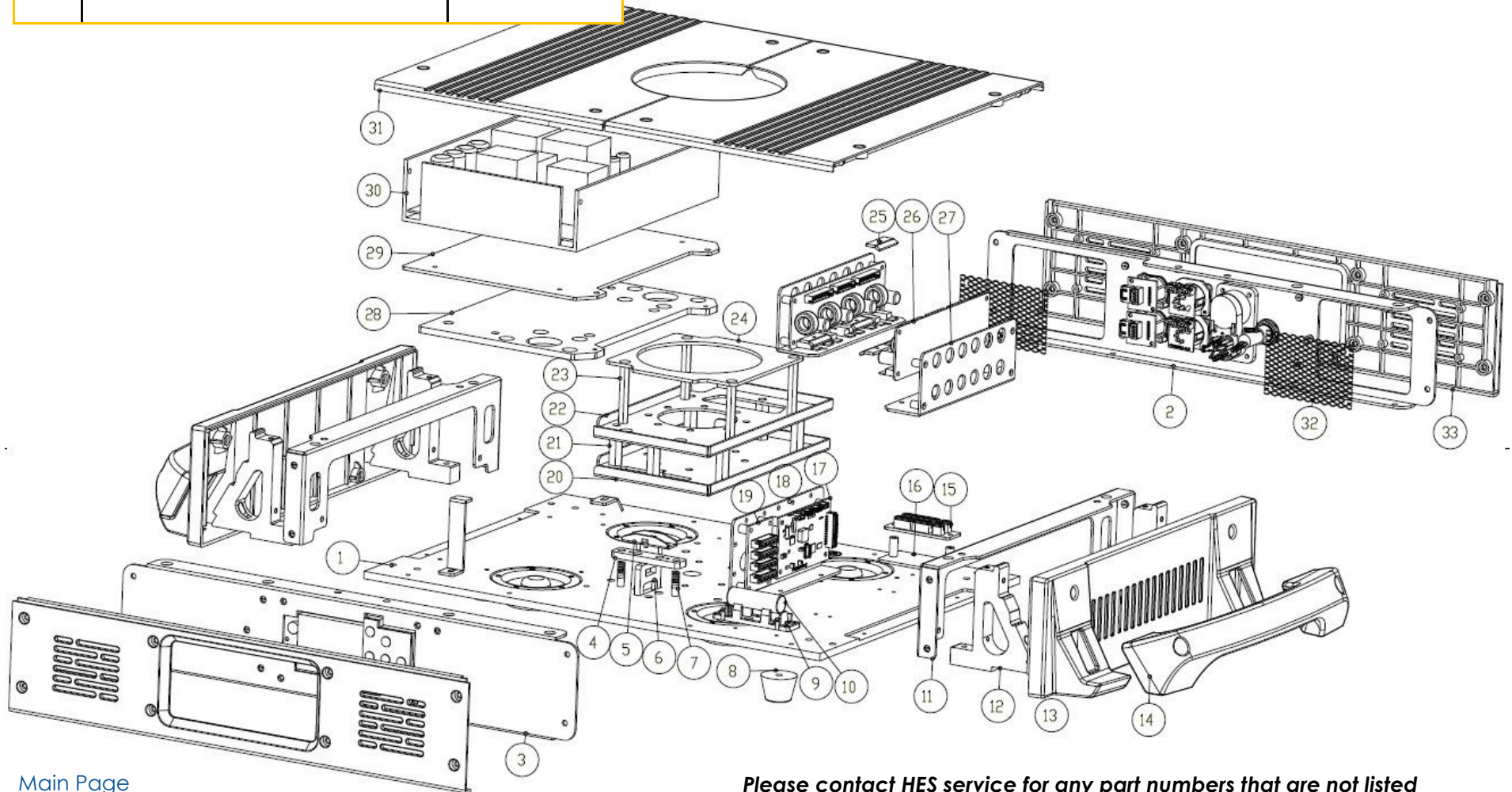
[DMX Protocol](#)



Reference Number	HES Description	HES Part Number
1	Cover Base, Front/Rear	H7300060
3	Yoke Assembly, Metal Work Only	H7300217
4	Cover Head	H7300107
5	Power Cord Assembly, TRU 1	H7000017
6	Truss Mount Brackets	H7150008

Ref. No.	HES Description	HES Part Number
3	PCB DISPLAY ASSEMBLY 1U	H7300076
9	BATTERY DISPLAY	H7300073
13	COVER BASE SIDE	H7300071
14	BASE HANDLE	H7300070
15	PCB JUNCTION BASE	H7300069

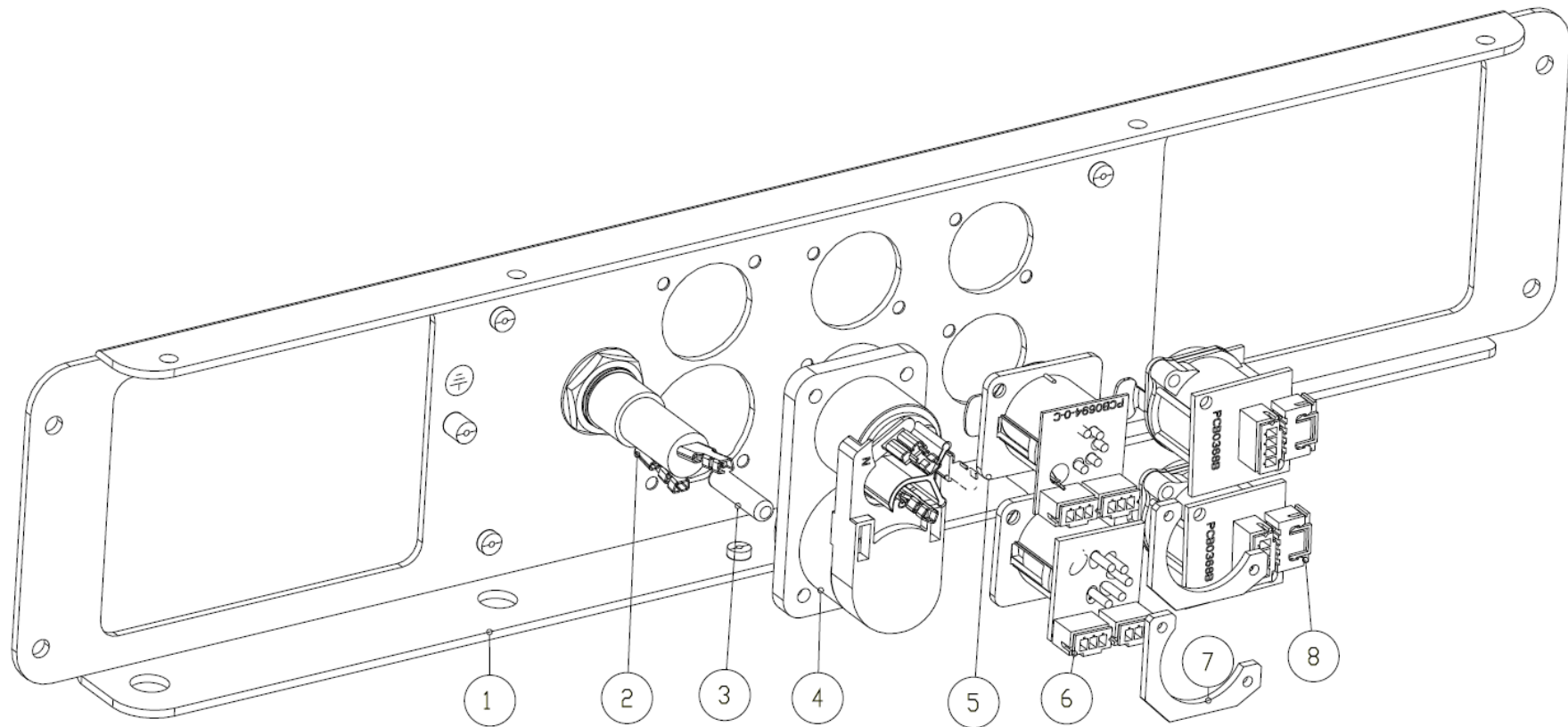
Ref. No.	HES Description	HES Part Number
17	PCB LED CONTROL 7U	H7300059
19	PCB JUNCTION LED BASE	H7300067
26	PCB LED DRIVER (includes 27)	H7300066
30	POWER SUPPLY	H7300063
31	COVER BASE LID	H7300062
33	COVER BASE FRONT REAR	H7300060



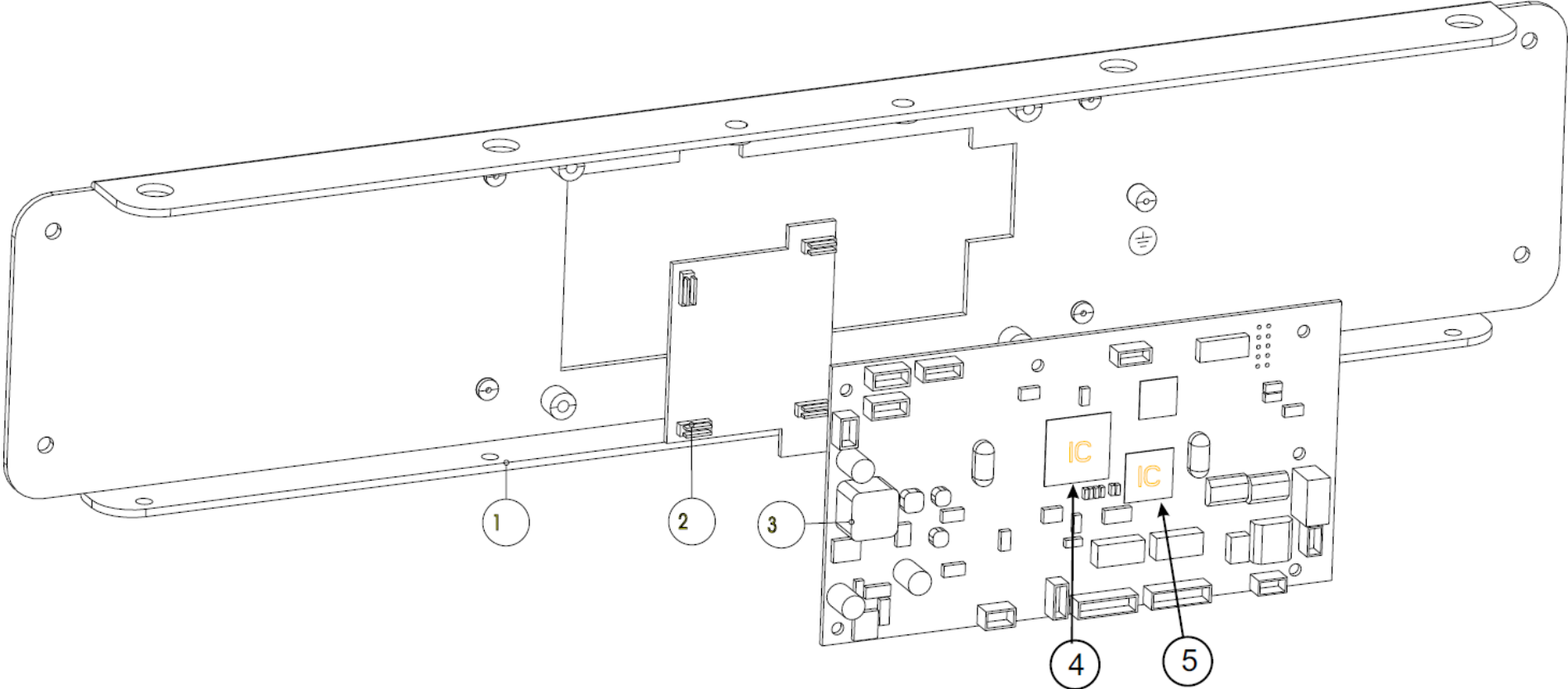
[Main Page](#)

Please contact HES service for any part numbers that are not listed

Ref. No.	HES Description	HES Part Number
2	FUSE HOLDER	H7300085
3	FUSE 250V 6X32 SLOW BLOW CERAMIC	H7300084
4	TRU1 SOCKET	H7300176
5	XLR FEMALE	H7300083
6	XLR MALE	H7300082
8	PCB ARTNET	H7300080

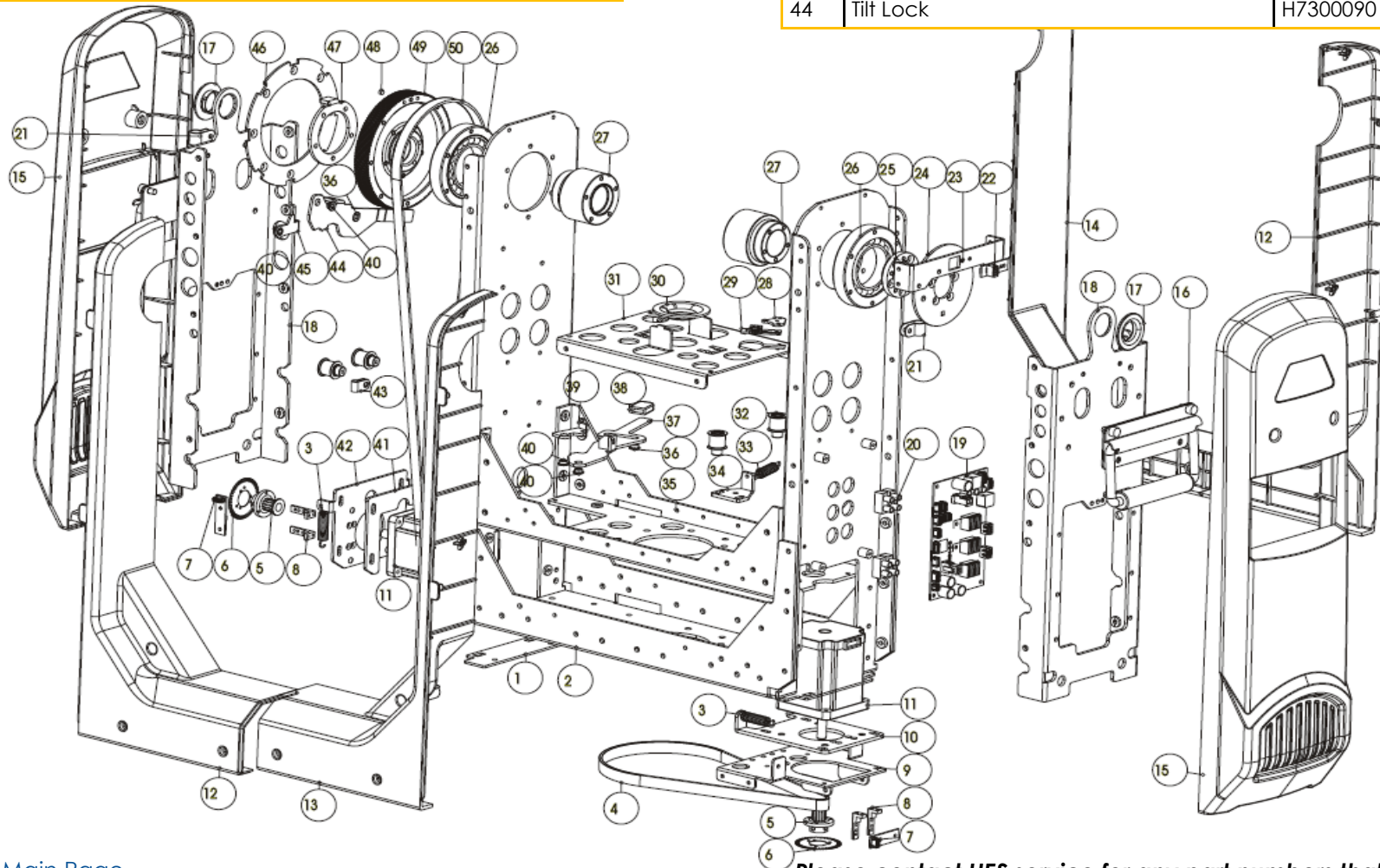


Ref.	HES Description	HES Part Number
2	PCB BUTTON	H7300078
3	PCB DISPLAY 1U	H7300077



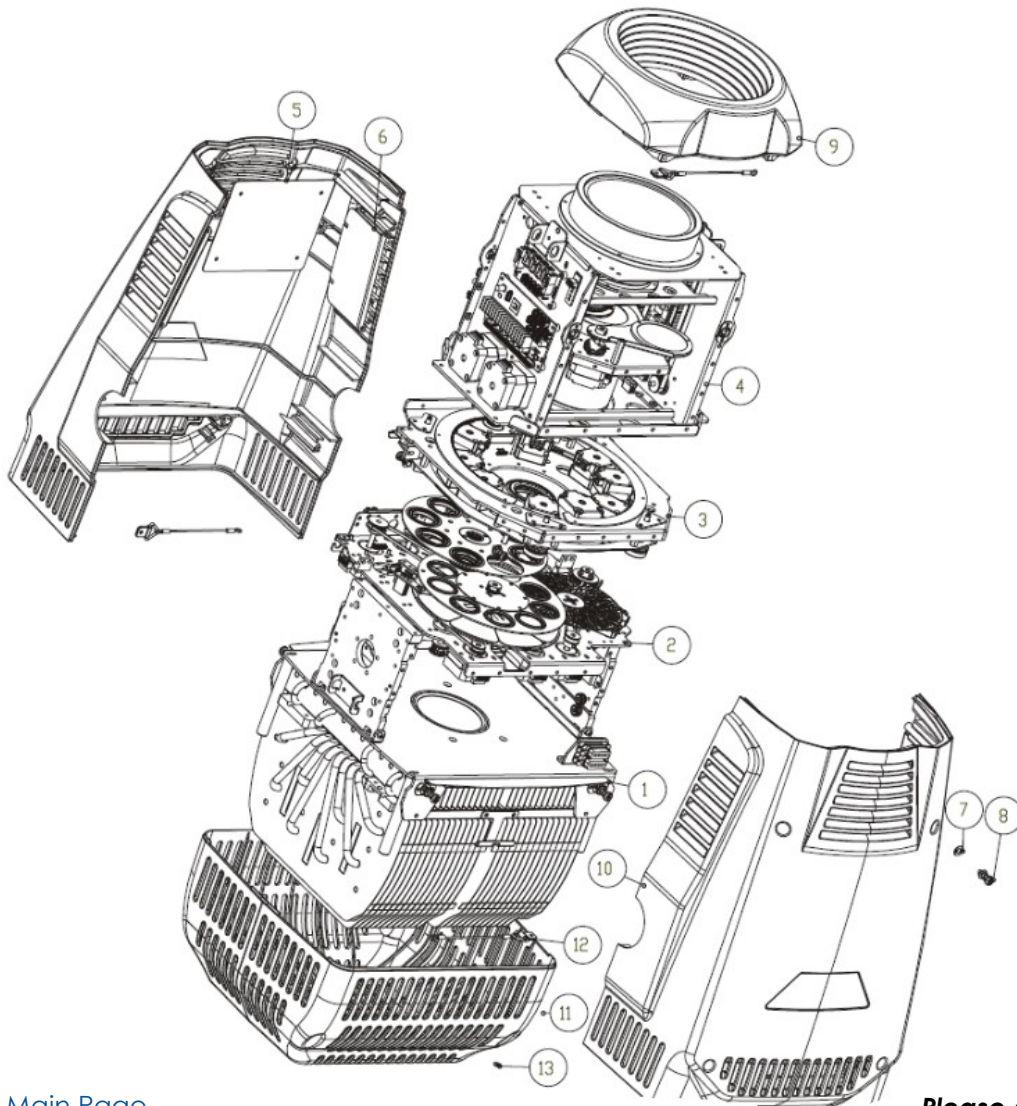
Ref No.	HES Description	HES Part Number
2	Yoke Assembly, Metal Work Only	H7300217
7	Sensor Encoder Pan	H7300102
11	Motor Pan/Tilt	H7100006
12	Cover Yoke Front Left, Rear Right	H7300100
13	Cover Yoke Rear Right	H7300099
14	Cover Yoke Lock Side Right	H7300098

Ref No.	HES Description	HES Part Number
15	Cover Yoke Arm	H7300097
19	PCB Pan/Tilt	H7300088
22	Sensor Tilt	H7300094
29	Sensor Pan	H7300093
37	Pan Lock	H7300092
38	Rubber Sleeve Pan/Tilt Lock	HW6948
44	Tilt Lock	H7300090

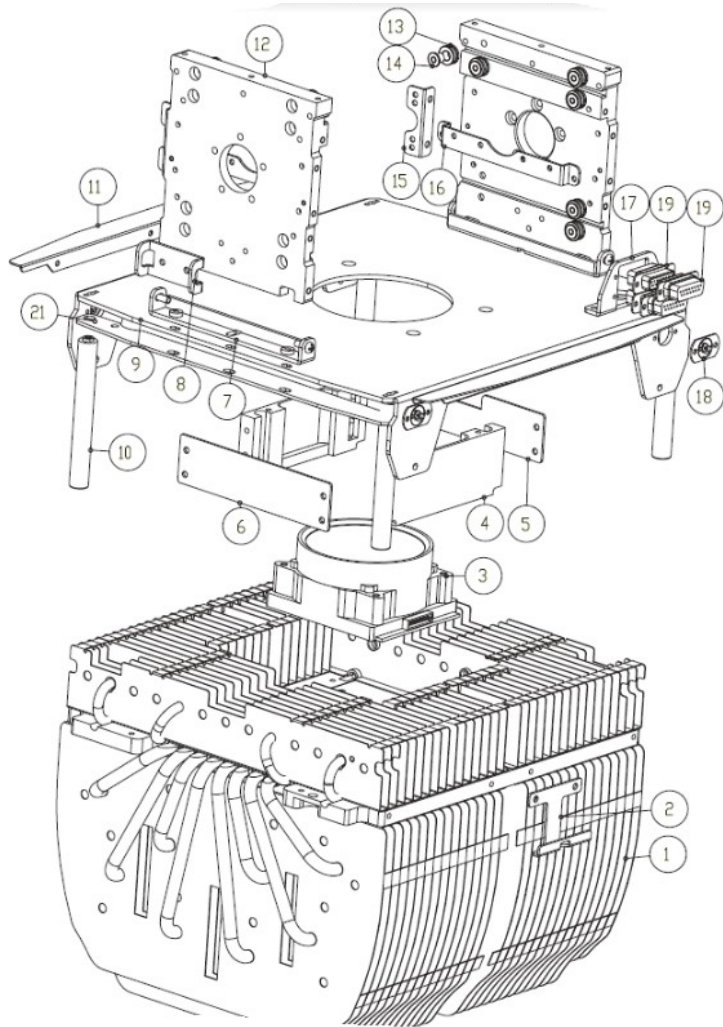


[Main Page](#)

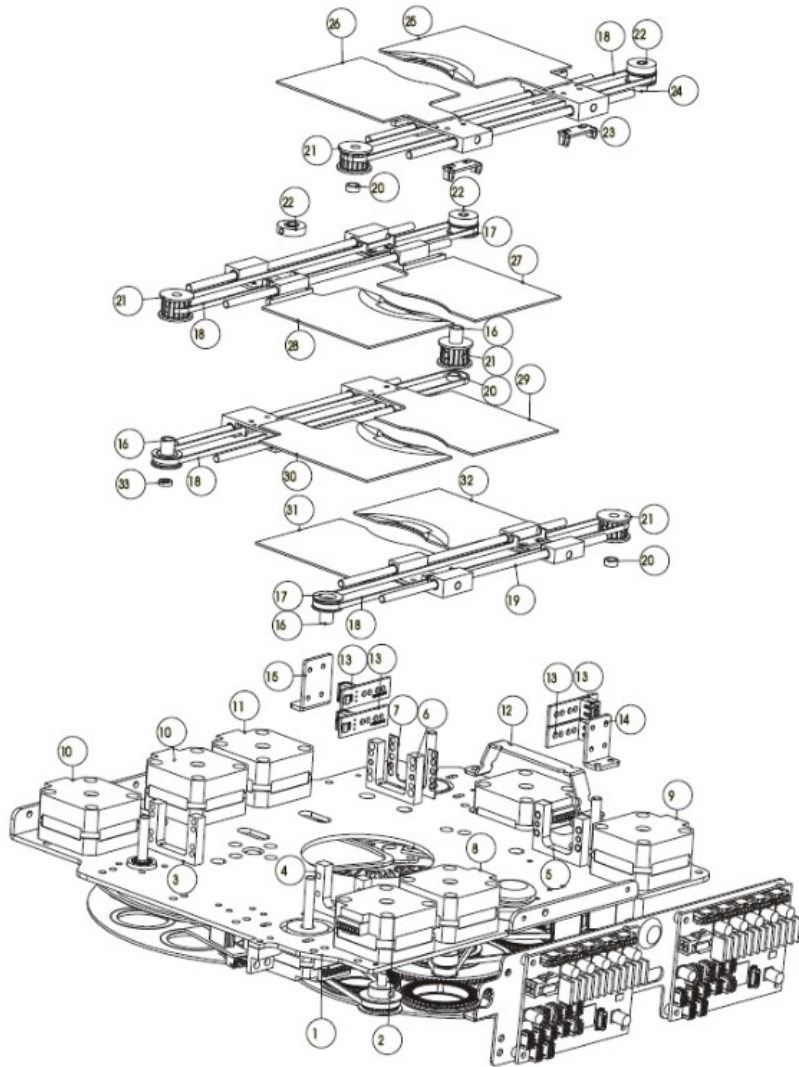
Please contact HES service for any part numbers that are not listed



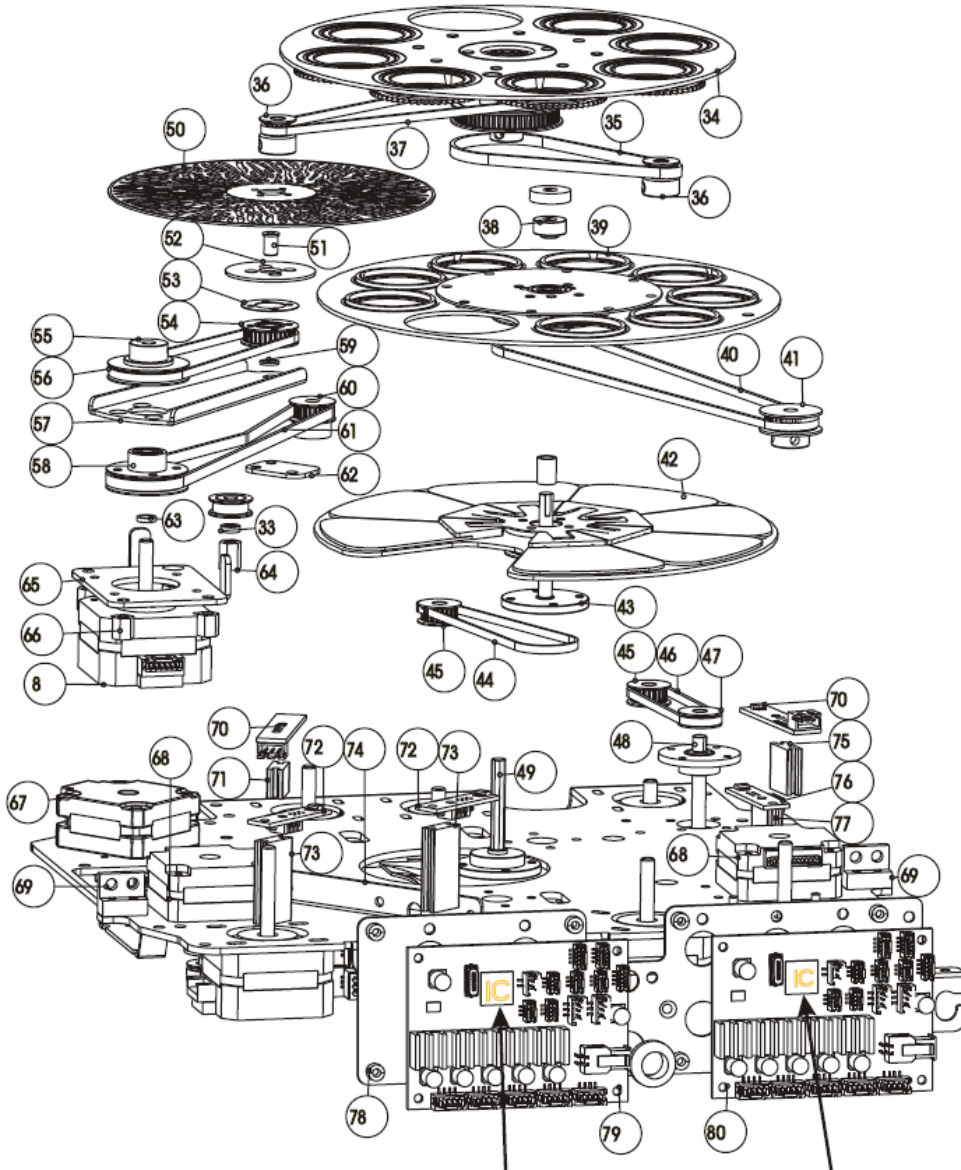
Reference Number	Fixture	HES Description	HES Part Number
1	SolaFrame Theatre	Heatsink Light Engine	H7300113
2	SolaFrame Theatre	Module Color/ Gobo	H7300110
3	SolaFrame Theatre	Module Framing	H7300109
4	SolaFrame Theatre	Module Zoom/ Focus	H7300171
7	SolaFrame Theatre	Cover Head Screw Retaining Washer	H7300182
8	SolaFrame Theatre	Cover Head Screw	H7300181
9	SolaFrame Theatre	Cover Head Front	H7300108
10	SolaFrame Theatre	Cover Head	H7300107
12	SolaFrame Theatre	Cover Head Rear	H7300106



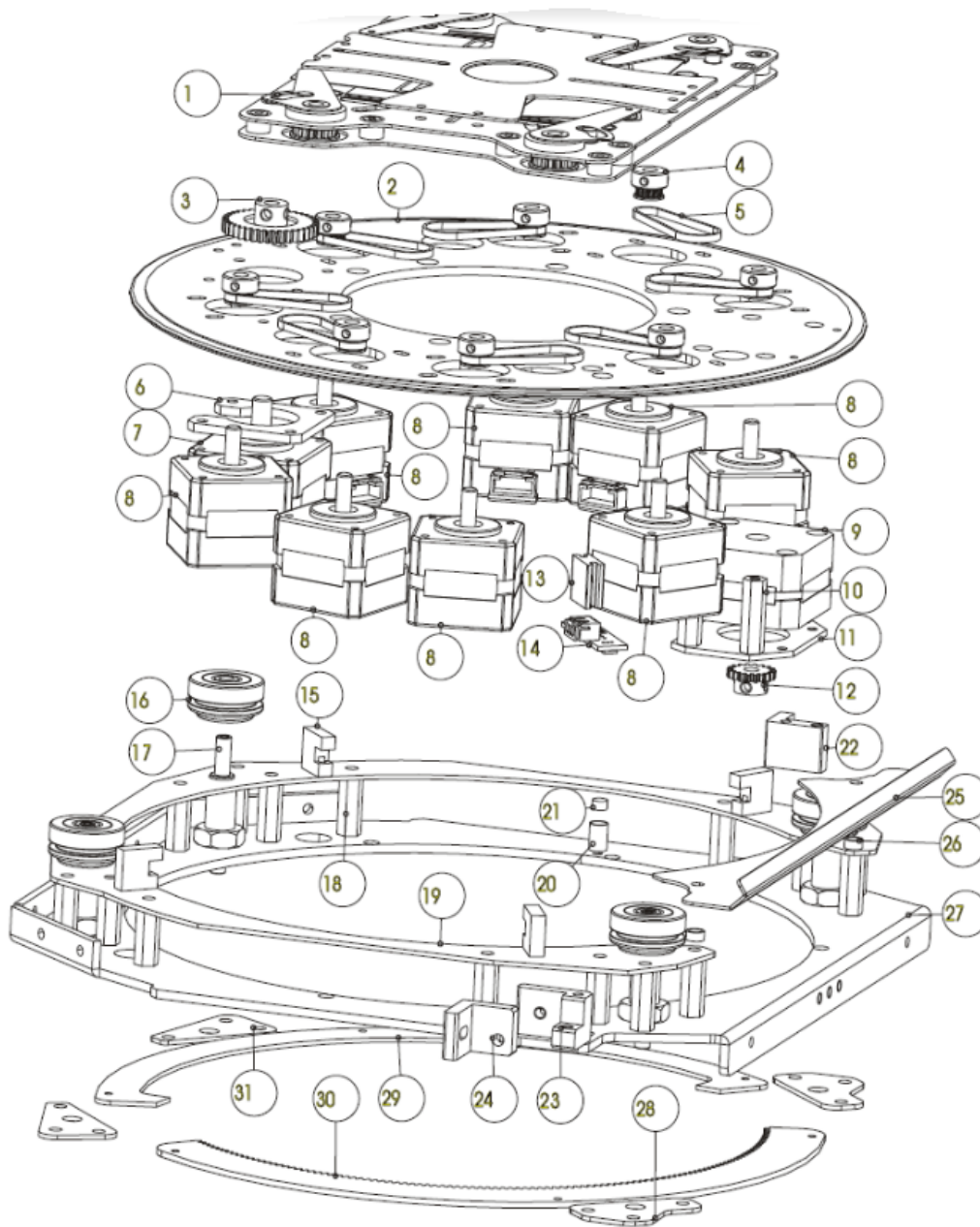
Reference Number	Fixture	HES Description	HES Part Number
1	SolaFrame Theatre	Heatsink Light Engine	H7300113
3	SolaFrame Theatre	LED Light Engine 6000K	H7300112



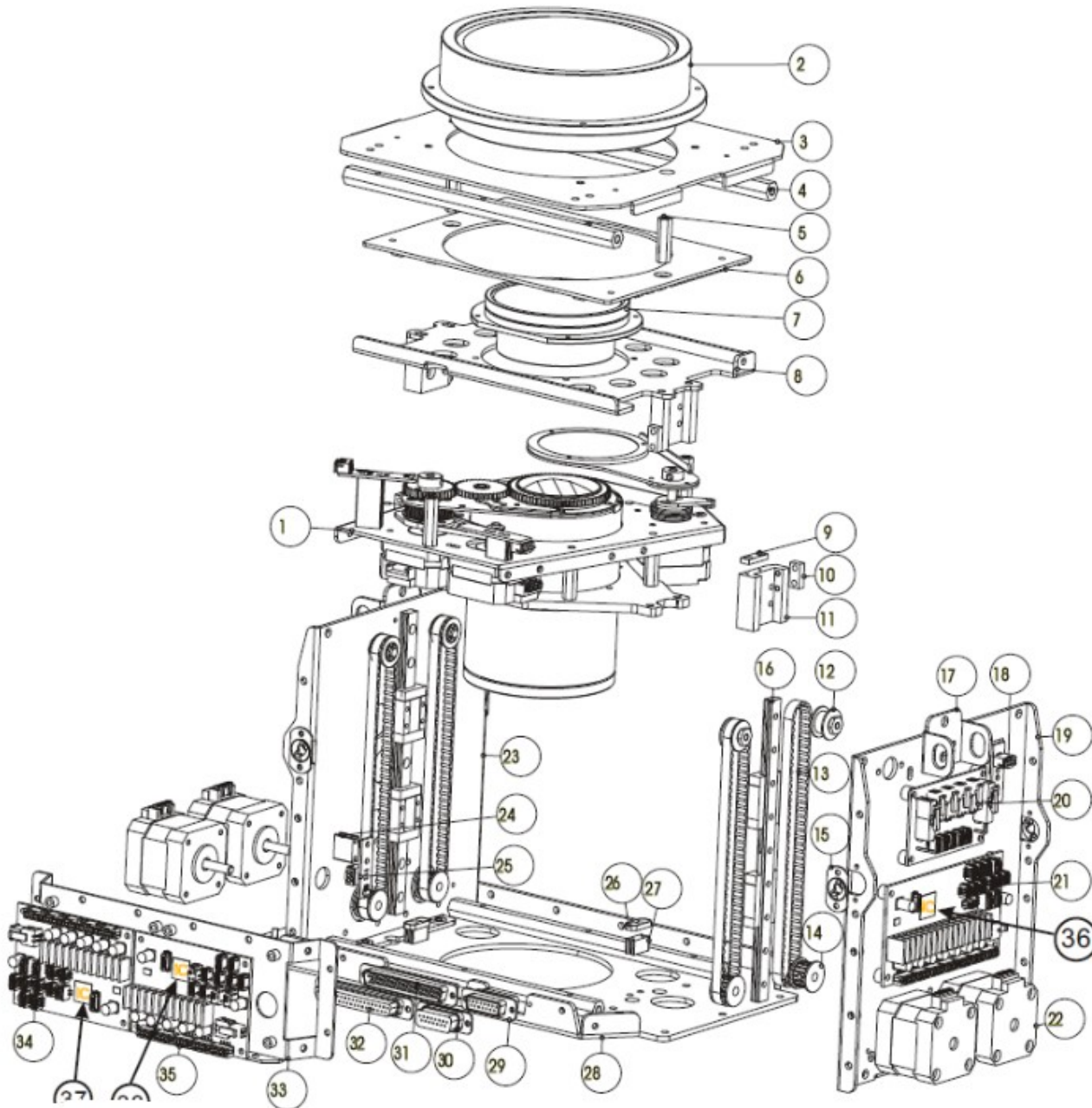
Reference Number	Fixture	HES Description	HES Part Number
13	SolaFrame Theatre	Sensor Color Mix	H7300094
25	SolaFrame Theatre	Magenta Flag Top	H7300138
26	SolaFrame Theatre	Magenta Flag Bottom	H7300139
27	SolaFrame Theatre	Cyan Flag Bottom	H7300137
28	SolaFrame Theatre	Cyan Flag Top	H7300136
29	SolaFrame Theatre	Yellow Flag Bottom	H7300135
30	SolaFrame Theatre	Yellow Flag Top	H7300134
31	SolaFrame Theatre	CTO Flag Bottom	H7300133
32	SolaFrame Theatre	CTO Flag Top	H7300132



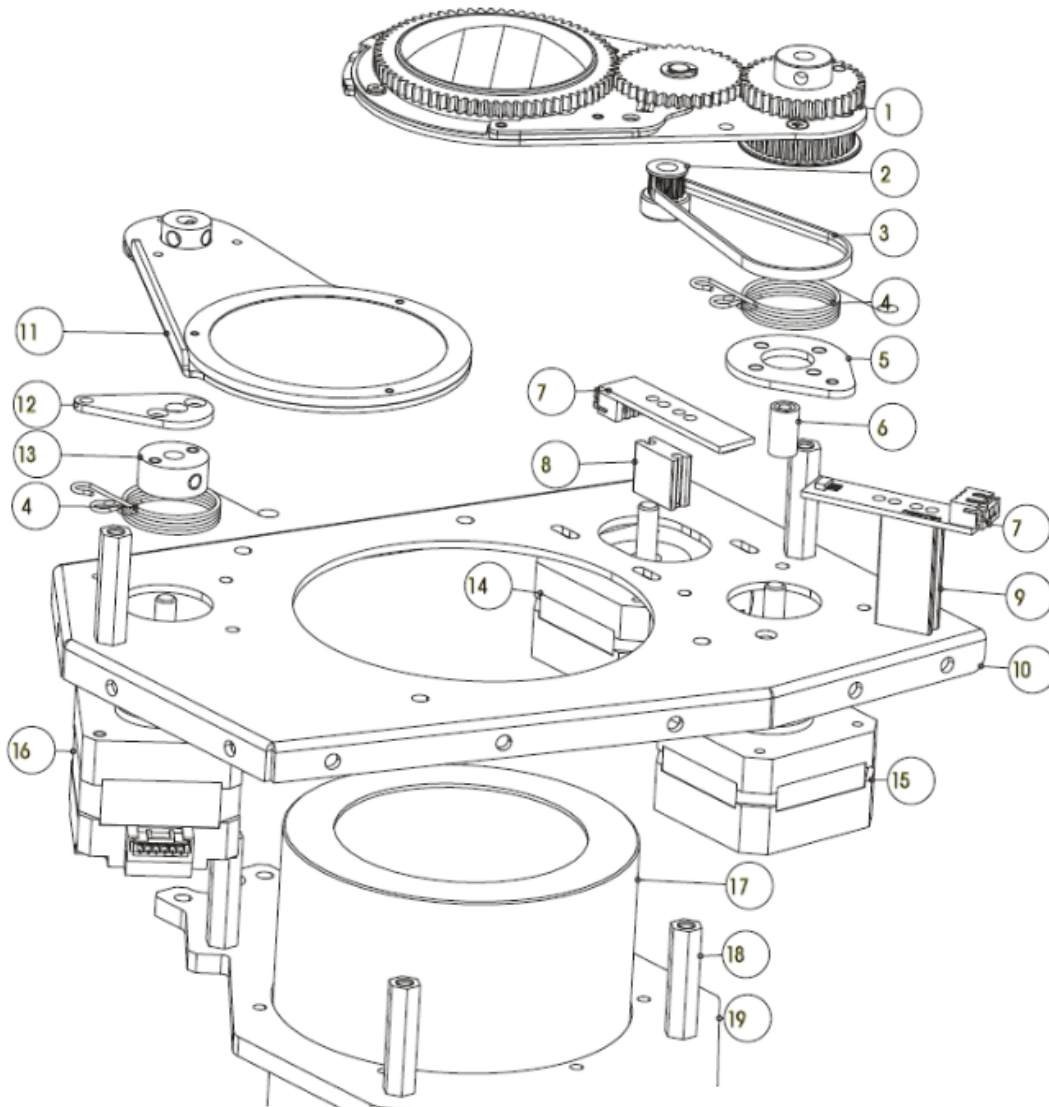
Reference Number	Fixture	HES Description	HES Part Number
34	SolaFrame Theatre	Wheel Gobo Rotating	H7300130
39	SolaFrame Theatre	Wheel Fixed Gobo	H7300128
42	SolaFrame Theatre	Wheel Color	H7300126
50	SolaFrame Theatre	Wheel Animation	H7300123
70	SolaFrame Theatre	Sensor Animate Wheel/Color Wheel	H7300118
72	SolaFrame Theatre	Sensor Rotate Position	H7300148
76	SolaFrame Theatre	Sensor Static Gobo Wheel	H7300116
79	SolaFrame Theatre	PCB Animation/Color/ Gobo 2 Rotate	H7300115
80	SolaFrame Theatre	PCB CMY CTO Static Gobo	H7300114



Ref. No.	HES Description	HES Part Number
1	Framing/Iris Assembly	H7300151
3	GEAR IRIS	H7300150
5	BELT FRAMING	H7150080
7	MOTOR IRIS	H7300178
8	MOTOR FRAMING BLADES	H7300172
9	MOTOR FRAMING ROTATE	H7150082
14	SENSOR FRAMING ROTATE	H7300117

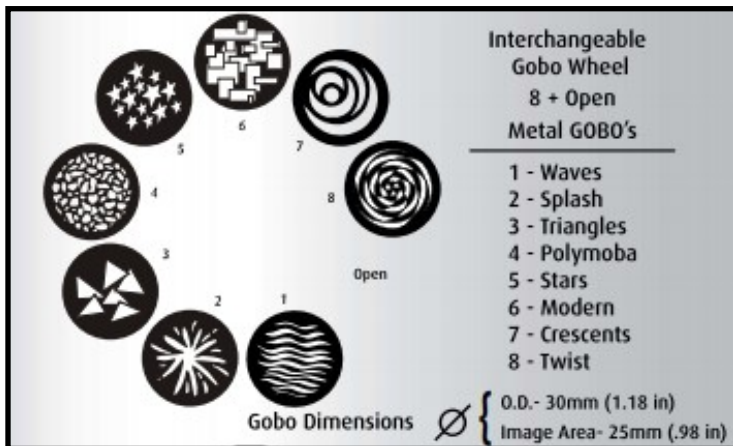
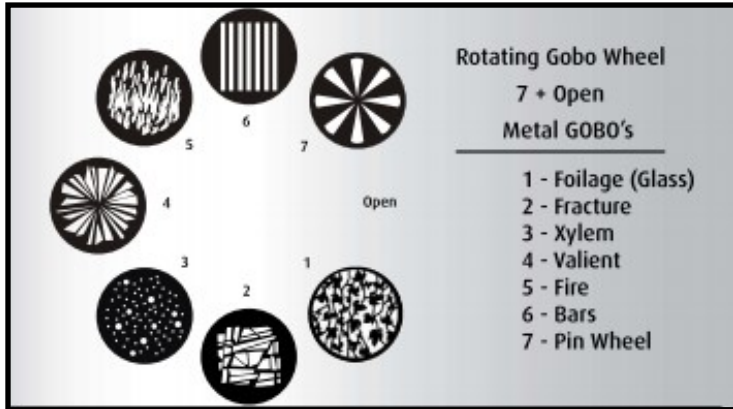


Reference Number	HES Description	HES Part Number
2	Lens Output	H7300161
6	PCB Lens Heater	H7300160
7	Lens Zoom	H7300159
18	Sensor Zoom	H7300094
20	PCB Power Distribution	H7150061
21	PCB Focus, Zoom, Prism, Frost	H7300154
25	Sensor Focus	H7300093
34	PCB Iris Framing Blades 1-2	H7300153
35	PCB Framing Rotate, Framing 3-4	H7300152



Reference Number	HES Description	HES Part Number
1	Prism Assembly 3 Facet	H7300180
1	Prism Assembly 4 Facet Linear	H7300166
7	Sensor Prism/Prism Rotate	H7300164
11	Frost Assembly	H7300163
17	Lens Focus	H7300162

SolaFrame Theatre Miscellaneous Parts



[Main Page](#)

Gobo Description	HES Part Number
1- Foilage (Glass)	H7900091
2- Fracture	H7300192
3- Xylem	H7300193
4- Valient	H7300194
5- Fire	H7300195
6- Bars	H7300196
7- Pin Wheel	H7300197

Gobo Description	HES Part Number
1- Waves	H7300184
2- Splash	H7300185
3- Triangles	H7300186
4- Polymoba	H7300187
5- Stars	H7300188
6- Modern	H7300189
7- Crescents	H7300191
8- Twist	H7300190



***Bars gobo contains homing magnet and must be placed back in same position in order to Home properly.*

Gobo Holder	HES Part Number
With Magnet, Rotating	H7300199
Without Magnet,	H7300200
Static	H7300202

Accessories

Model #	Description
67040010	Mini-Claw
67040007	Mega-Claw
55040014	Cheeseborough Two Alloy 1/2 Couple Truss Clamp

Uploader	H7000000



SolaFrame Theatre PCB Identifiers

PCB Software ID	Controls	Location in Fixture
1U	Display	Base, behind front panel
2U	Pan, Tilt	Yoke Arm, non-lock side
3U	Focus, Frost, Prism, Zoom	Head, side
4U	CMY, CTO, Static Gobo	Head, non-lock side
5U	Animation, Color Wheel, Rotating Gobo	Head, non-lock side
6U	Framing Blades 1 & 2, Iris	Head, non-lock side
7U	LED Control	Head, lock side
8U	Framing Blades 3 & 4, Framing Rotate	Head, lock side