



**HIGH END SYSTEMS**  
an **ETC** Company

## SolaHyBeam 1000



Part Number	Fixture Name	Color	Packaging
H7010029	<b>SolaHyBeam 1000</b>	Black	Road Case
<i>By Request</i>	<b>SolaHyBeam 1000</b>	White	Road Case

[Gobo Information](#)

[Fixture Accessories](#)

[PCB Information](#)

[Fixture Drawings](#)

[HES Main Parts List](#)

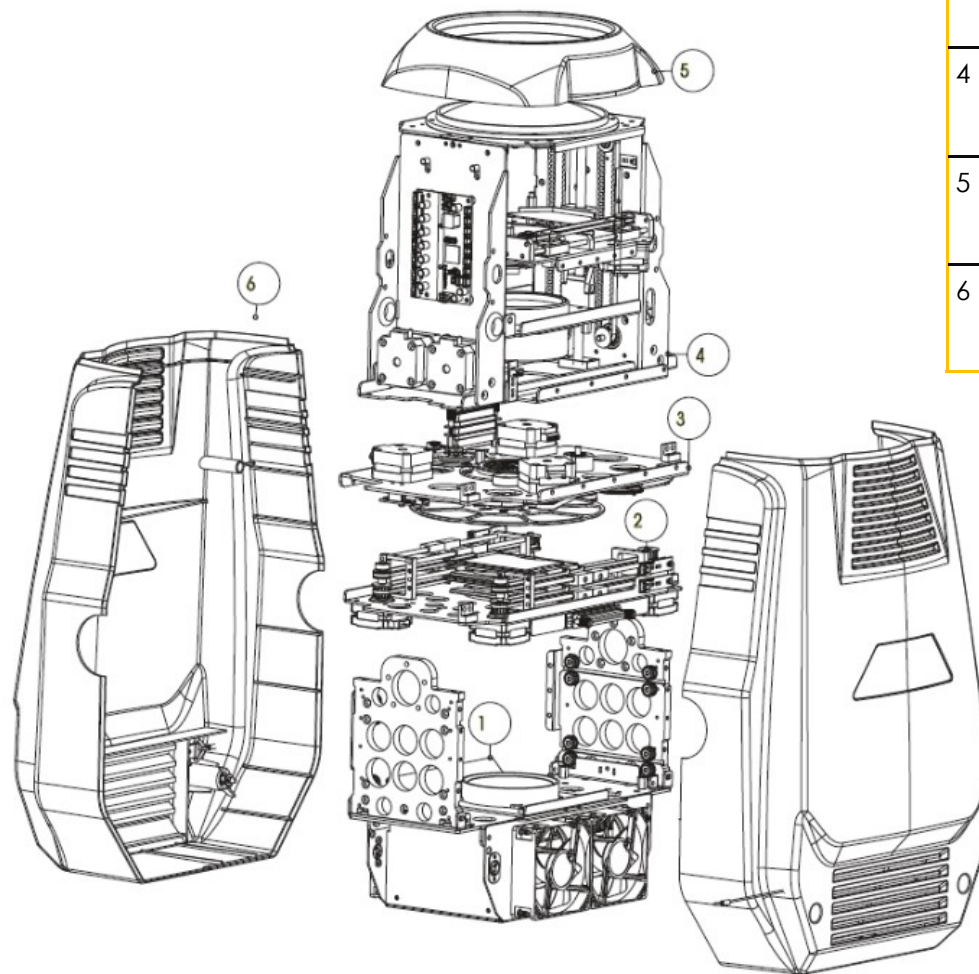
[Recommended Spares List](#)

[Technical Data Sheet](#)

[Main Page](#)

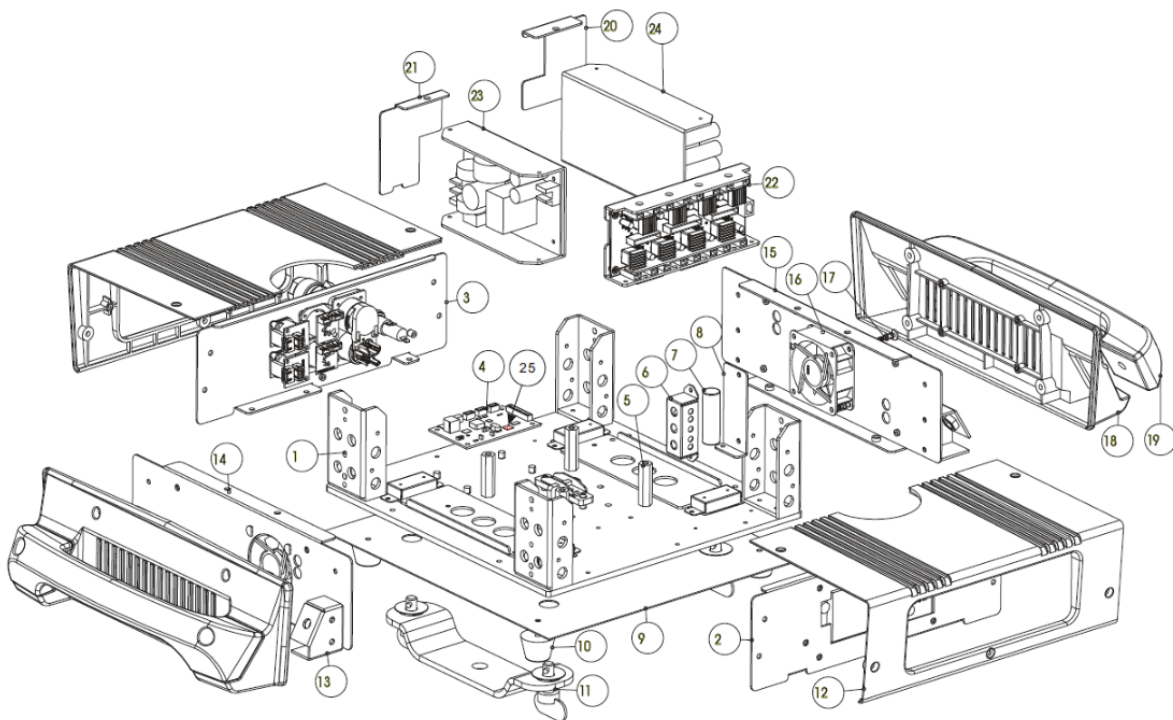
[User Manual](#)

[DMX Protocol](#)

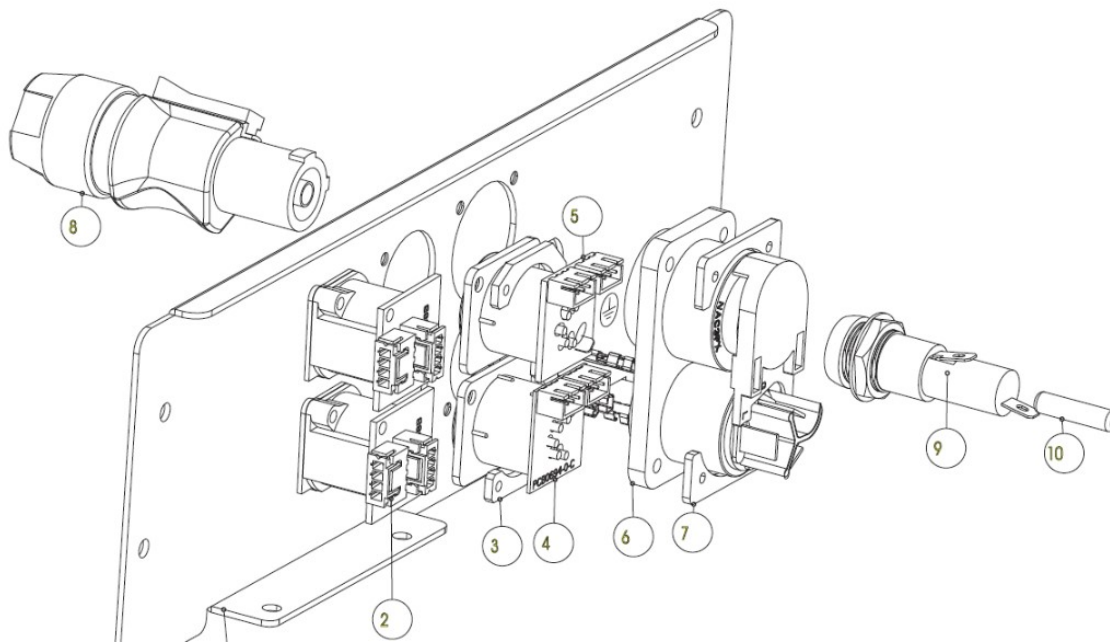


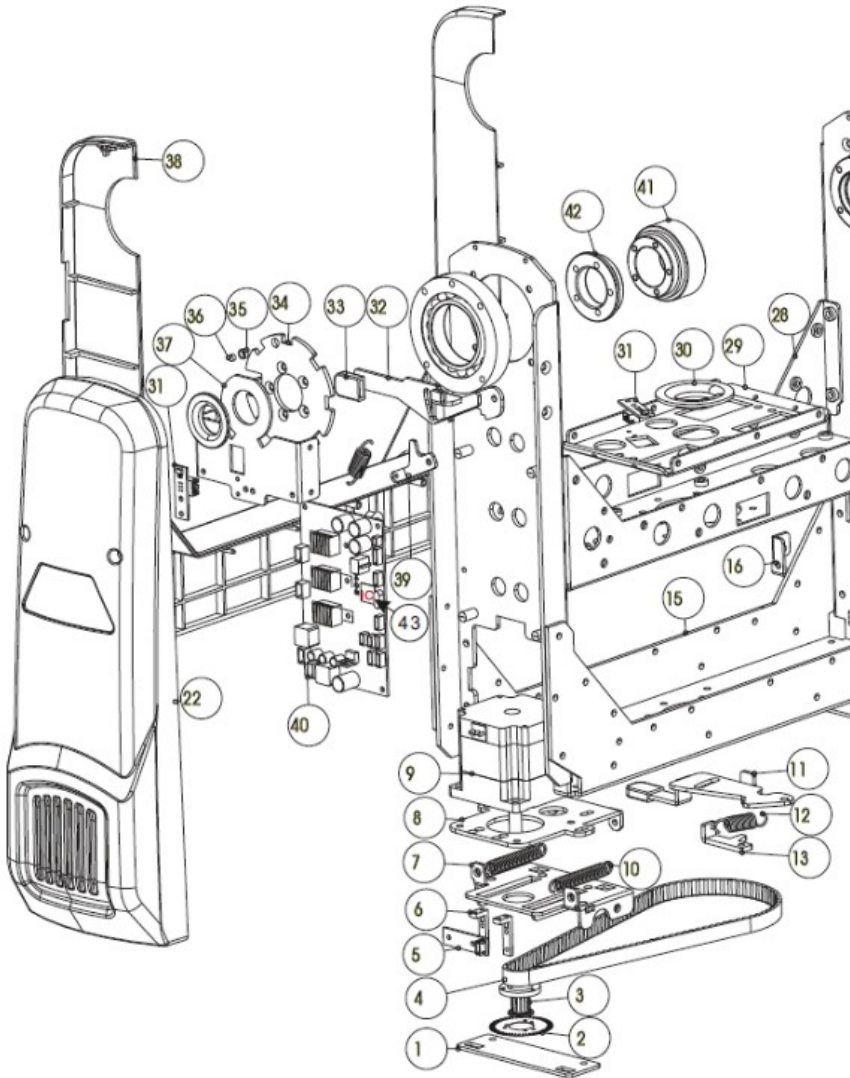
Reference Number	Fixture	HES Description	HES Part Number
2	<b>SolaHyBeam 1000</b>	Module Color Mixing	H7290011
3	<b>SolaHyBeam 1000</b>	Module Gobo, Color Wheel	H7290010
4	<b>SolaHyBeam 1000</b>	Module Zoom/Focus	H7290025
5	<b>SolaHyBeam 1000</b>	Cover Head Front	H7290008
6	<b>SolaHyBeam 1000</b>	Cover Head	H7280038

Reference Number	Fixture	HES Description	HES Part Number
4	<b>SolaHyBeam 1000</b>	PCB LED Control	H7290002
7	<b>SolaHyBeam 1000</b>	Battery Display	H7310037
12	<b>SolaHyBeam 1000</b>	Cover Base Front/Rear	H7280009
22	<b>SolaHyBeam 1000</b>	LED Distribution PCB	H7280117
23	<b>SolaHyBeam 1000</b>	Motor Power Supply (28V DC Output)	H7280005
24	<b>SolaHyBeam 1000</b>	LED Power Supply (52V DC Output)	H7290003

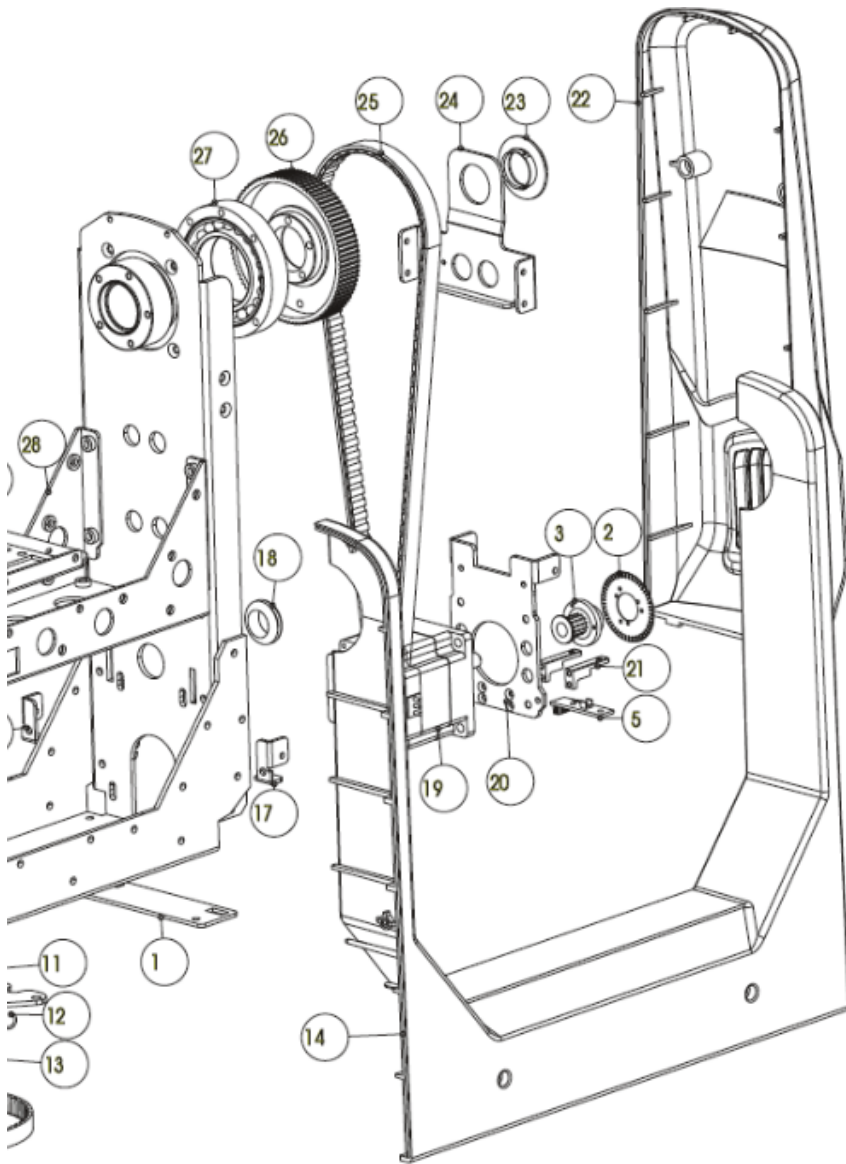


Reference Number	Fixture	HES Description	HES Part Number
2	<b>SolaHyBeam 1000</b>	PCB Ethernet Port	H7280023
4	<b>SolaHyBeam 1000</b>	PCB XLR Female	H7280022
5	<b>SolaHyBeam 1000</b>	PCB XLR Male	H7300082
9	<b>SolaHyBeam 1000</b>	Fuse Holder	H7300085
10	<b>SolaHyBeam 1000</b>	Fuse 12A 6x32 250V Slow Blow	H7300084

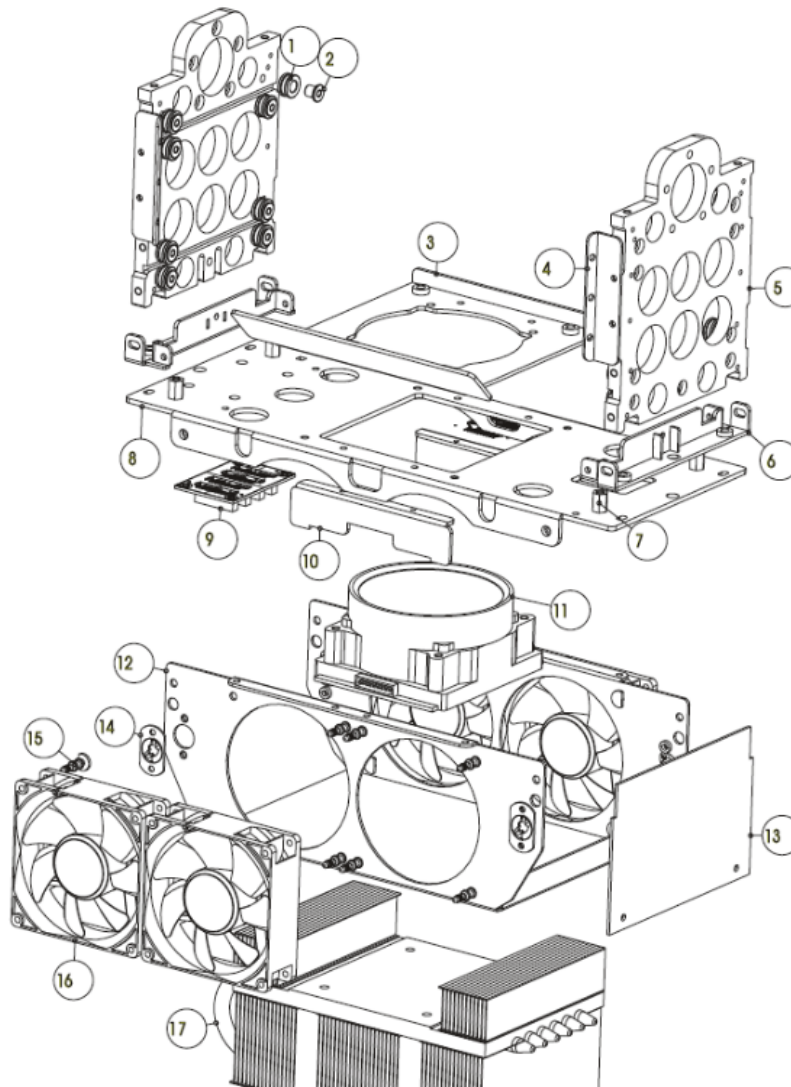




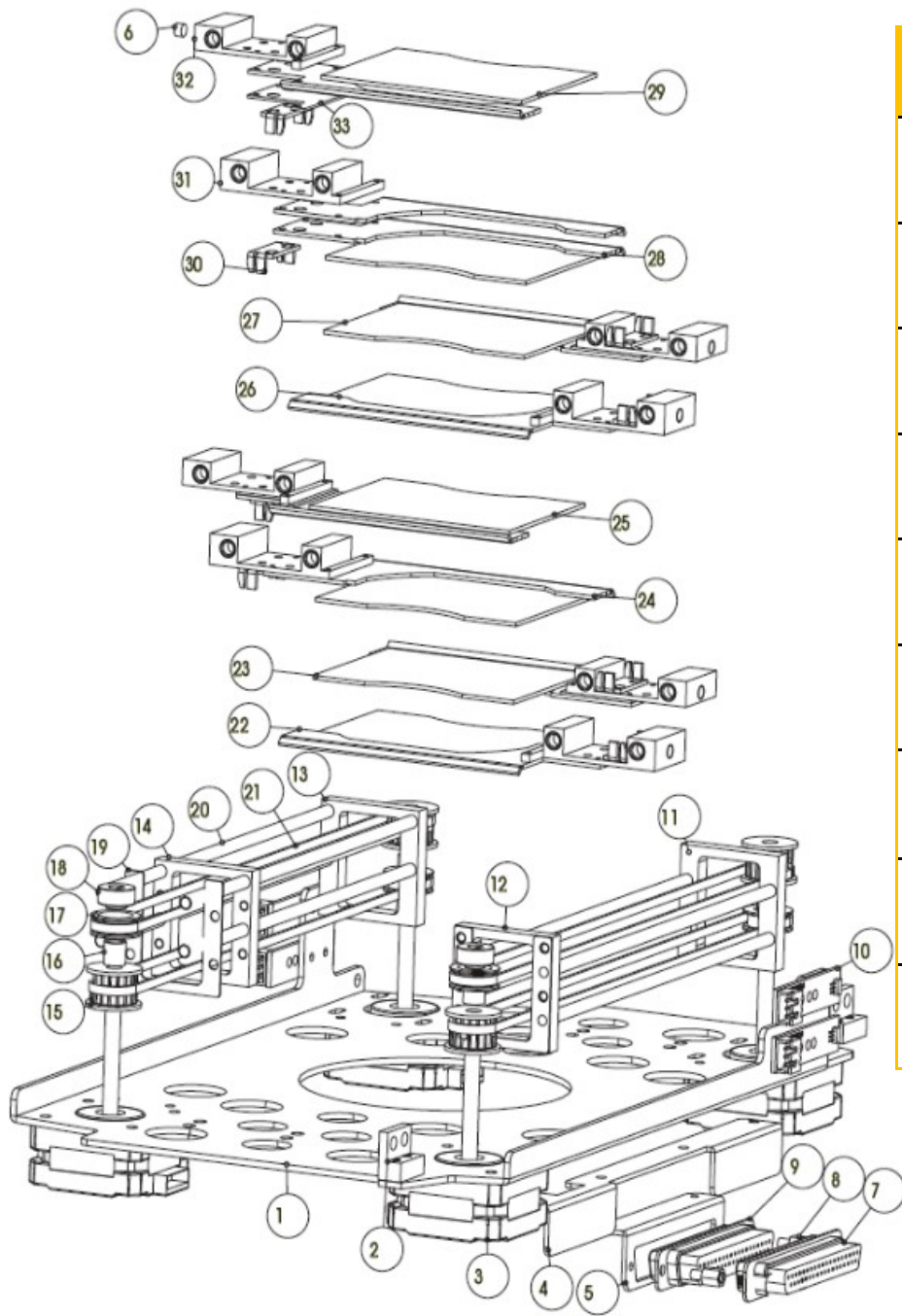
Reference Number	Fixture	HES Description	HES Part Number
4	SolaHyBeam 1000	Belt Pan	H7280037
6	SolaHyBeam 1000	Sensor Pan Encoder	H7150024
9	SolaHyBeam 1000	Motor Pan	H7280035
11	SolaHyBeam 1000	Pan Lock	H7280034
22	SolaHyBeam 1000	Cover Yoke Arm	H7280031
31	SolaHyBeam 1000	Sensor Pan/Tilt Homing	H7300117
32	SolaHyBeam 1000	Tilt Lock	H7280028
38	SolaHyBeam 1000	Cover Yoke Lock Side	H7280026
40	SolaHyBeam 1000	PCB Pan/Tilt	H7290007



Reference Number	Fixture	HES Description	HES Part Number
5	<b>SolaHyBeam 1000</b>	Sensor Tilt Encoder	H7150024
14	<b>SolaHyBeam 1000</b>	Cover Yoke	H7280033
19	<b>SolaHyBeam 1000</b>	Motor Tilt	H7280032
22	<b>SolaHyBeam 1000</b>	Cover Yoke Arm	H7280031



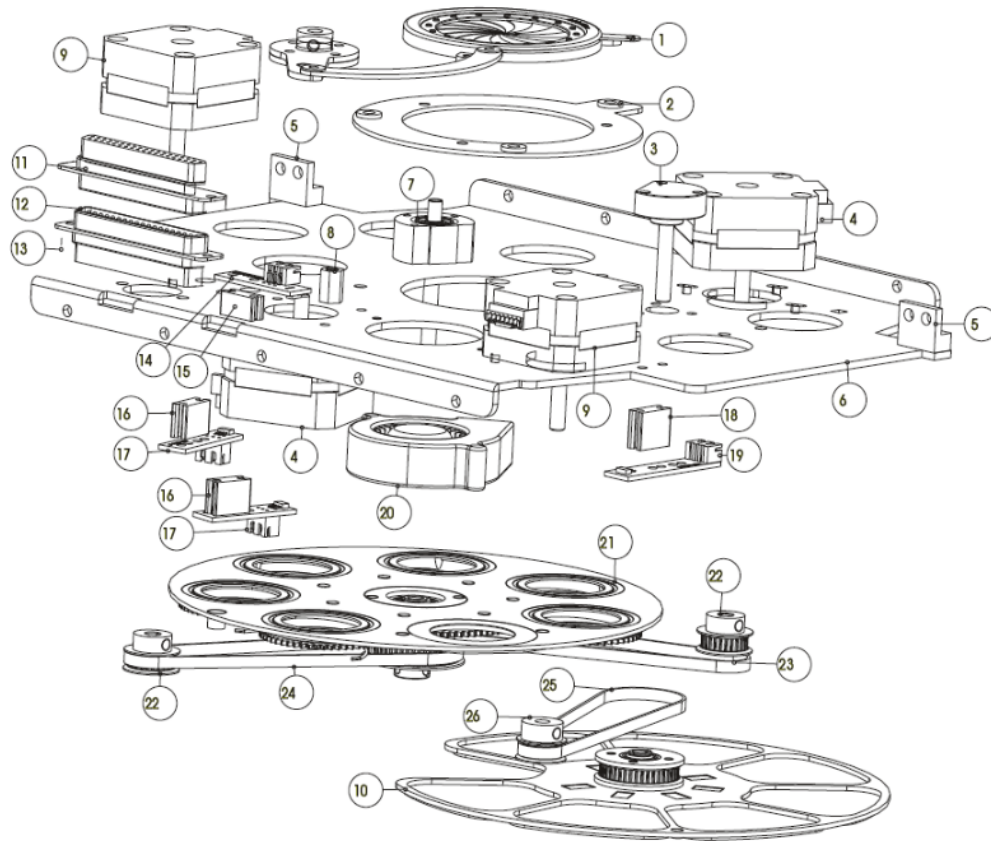
Reference Number	Fixture	HES Description	HES Part Number
9	<b>SolaHyBeam 1000</b>	PCB Junction Head	H7290012
11	<b>SolaHyBeam 1000</b>	LED Light Engine 6500K	H7280046
16	<b>SolaHyBeam 1000</b>	Fan LED	H7280044
17	<b>SolaHyBeam 1000</b>	Heatsink LED	H7280045



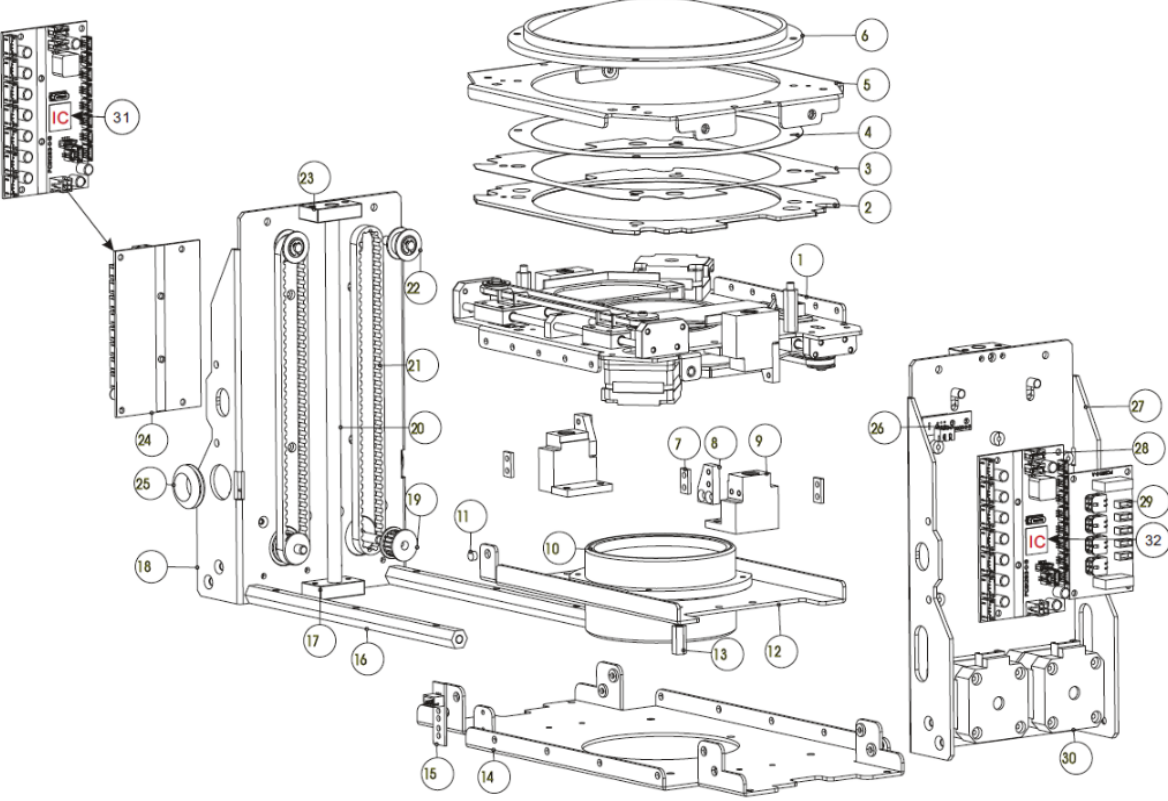
Ref. No.	Fixture	HES Description	HES Part Number
10	<b>SolaHyBeam 1000</b>	Sensor Color Mix	H7300164
22	<b>SolaHyBeam 1000</b>	FLAG MAGENTA TOP WITH MAGNET	H7280053
23	<b>SolaHyBeam 1000</b>	FLAG MAGENTA BOTTOM	H7280054
24	<b>SolaHyBeam 1000</b>	FLAG CYAN TOP	H7280051
25	<b>SolaHyBeam 1000</b>	FLAG CYAN BOTTOM WITH MAGNET	H7280052
26	<b>SolaHyBeam 1000</b>	FLAG YELLOW TOP WITH MAGNET	H7280049
27	<b>SolaHyBeam 1000</b>	FLAG YELLOW BOTTOM	H7280050
28	<b>SolaHyBeam 1000</b>	FLAG CTO TOP	H7280047
29	<b>SolaHyBeam 1000</b>	FLAG CTO BOTTOM WITH MAGNET	H7280048



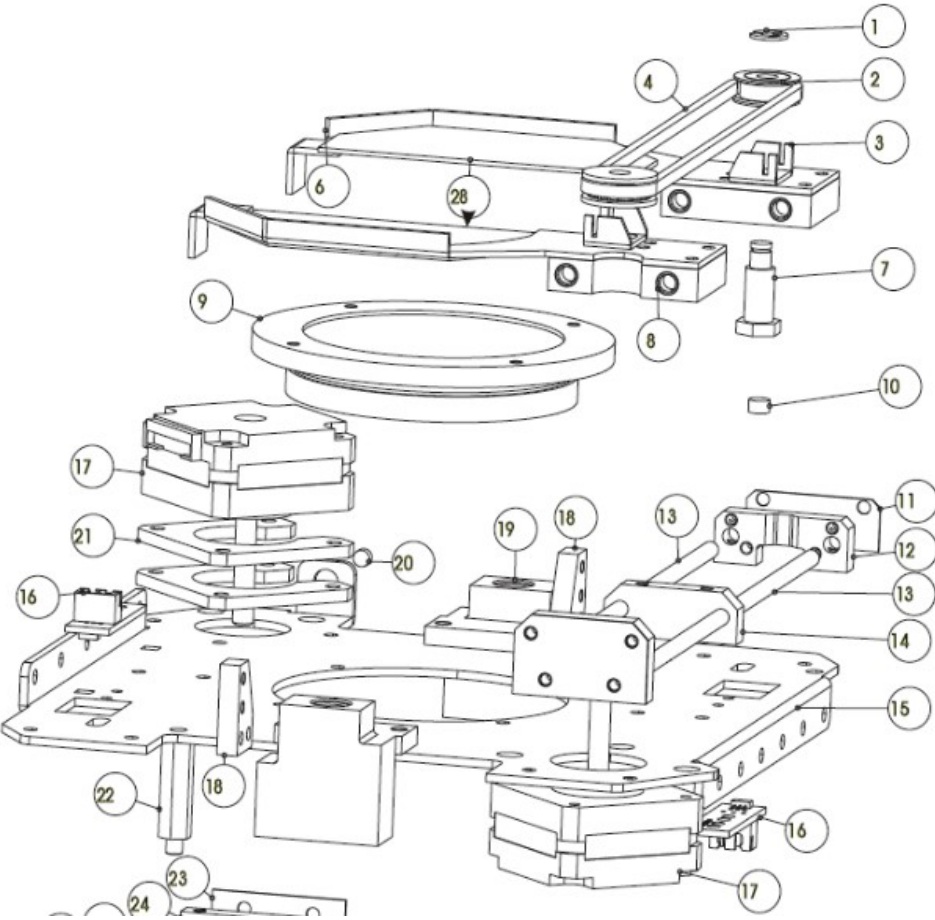
Reference Number	Fixture	HES Description	HES Part Number
1	SolaHyBeam 1000	Iris Assembly	H7290022
10	SolaHyBeam 1000	Wheel Color	H7290013
14	SolaHyBeam 1000	Sensor Iris	H7290019
17	SolaHyBeam 1000	Sensor Gobo Rotate	H7290018
19	SolaHyBeam 1000	Sensor Color Wheel	H7300118
20	SolaHyBeam 1000	Blower Gobo Module	H7280065



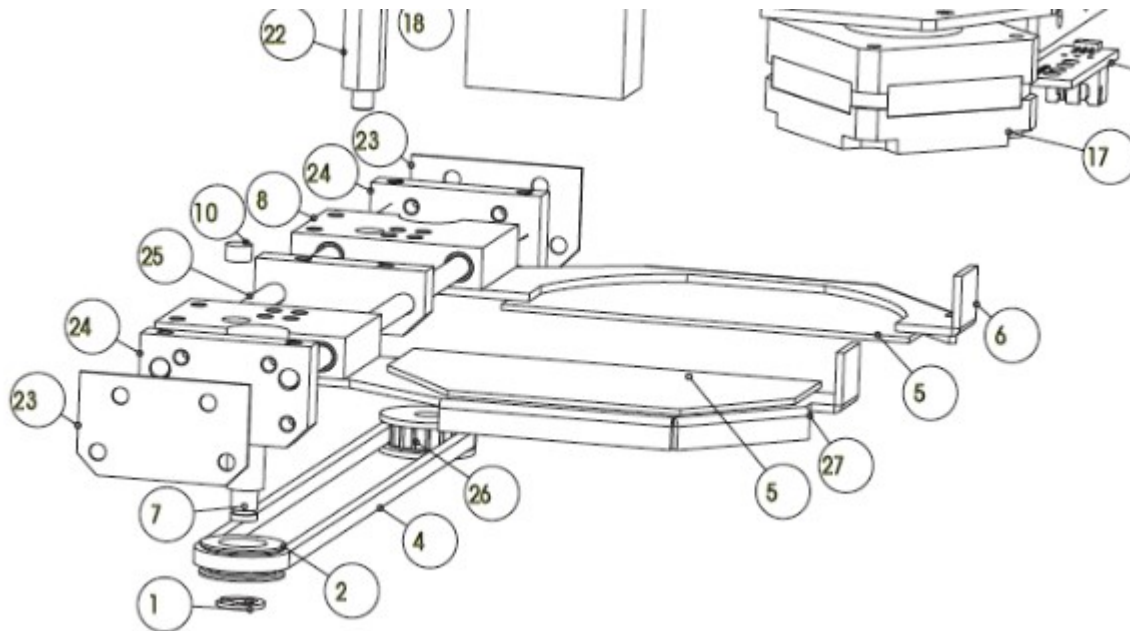
Reference Number	Fixture	HES Description	HES Part Number
2	SolaHyBeam 1000	PCB Lens Heater	H7290031
10	SolaHyBeam 1000	Lens Focus	H7290029
15	SolaHyBeam 1000	Sensor Zoom/Focus	H7290028
24	SolaHyBeam 1000	PCB Zoom/Frost/Focus	H7290024
28	SolaHyBeam 1000	PCB CMY/CTO	H7290023
29	SolaHyBeam 1000	PCB Junction Yoke	H7290026



Reference Number	Fixture	HES Description	HES Part Number
9	<b>SolaHyBeam 1000</b>	Lens Zoom	H7290036
16	<b>SolaHyBeam 1000</b>	Sensor Zoom/Focus	H7290028



Reference Number	Fixture	HES Description	HES Part Number
5	SolaHyBeam 1000	Frost Flag Heavy	H7290033
5	SolaHyBeam 1000	Frost Flag Light	H7290037





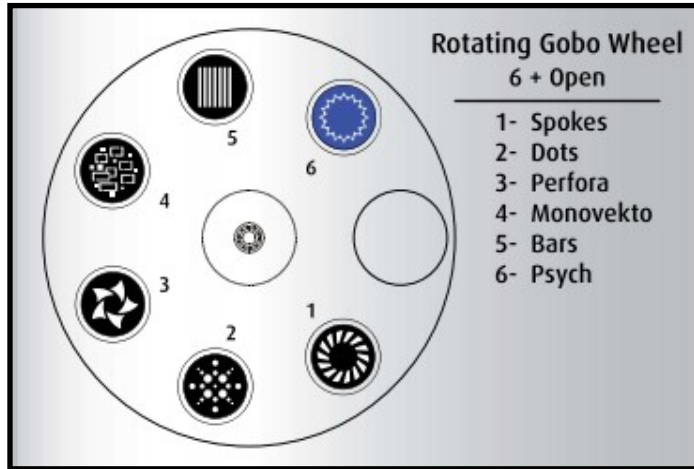
<b>SOLA HYBEAM 1000 RECOMMENDED SPARES BASED ON 20 FIXTURES</b>			
	<b>PART NUMBER</b>	<b>DESCRIPTION</b>	<b>QUANTITY</b>
	H7300084	FUSE 12A 6x32 250V SLOW BLOW CERAMIC	1
	H7280046	LED LIGHT ENGINE	1
	H7280004	LED POWER SUPPLY	1
	H7280005	MOTOR POWER SUPPLY	1
	H7290023	PCB CMY CTO GOBO IRIS	1
	H7280023	PCB ETHERNET PORT	1
	H7290024	PCB FOCUS ZOOM FROST	1
	H7290012	PCB JUNCTION HEAD	1
	H7290026	PCB JUNCTION YOKE	1
	H7290002	PCB LED CONTROL	1
	H7290005	PCB LED DISTRIBUTION	1
	H7290031	PCB LENS HEATER	1
	H7290007	PCB PAN TILT	1
	H7300164	SENSOR COLOR MIX	1
	H7290017	SENSOR COLOR WHEEL	1
	H7300094	SENSOR FROST, GOBO, GOBO ROTATE, ZOOM, FOCUS	1
	H7290019	SENSOR IRIS	1
	H7300117	SENSOR PAN/TILT HOMING	1



## SolaHyBeam 1000 PCB Identifiers

PCB Software ID	Controls
<b>1U</b>	Display
<b>2U</b>	Pan, Tilt
<b>3U</b>	Focus, Zoom, Frost, Iris
<b>4U</b>	CMY, Color Wheel, Go-bo, Gobo Rotate
<b>5U</b>	LED Control

# SolaHyBeam 1000 Miscellaneous Parts



Gobo Description	HES Part Number
1- Spokes	H7290048
2- Dots	H7290049
3- Perfora	H7290050
4- Monovekto	H7290051
5- Bars	H7290052
6- Psych	H7290053

<b>Gobo Dimensions</b>	$\varnothing$ { O.D.- 30mm (1.18 in) Image Area- 25mm (.98 in)
------------------------	---

*\*\*Spokes gobo contains homing magnet in Gobo Wheel 1 and must be placed back in same position in order to Home properly.*

Gobo Holder	HES Part Number
With Magnet, Rotating	
Without Magnet,	

## Accessories

Model #	Description
67040010	Mini-Claw
67040007	Mega-Claw
55040014	Cheeseborough Two Alloy 1/2 Couple Truss Clamp

<b>Uploader</b>	H7000000
-----------------	----------