



HIGH END SYSTEMS

an ETC. Company

SolaSpot 1000



Part Number	Fixture Name	Color	Packaging
H7010028	SolaSpot 1000	Black	Road Case
H7010028-B	SolaSpot 1000	Black	Molded Insert
<i>By Request</i>	SolaSpot 1000	White	Road Case

[Gobo Information](#)

[Fixture Accessories](#)

[PCB Information](#)

[Fixture Drawings](#)

[HES Main Parts List](#)

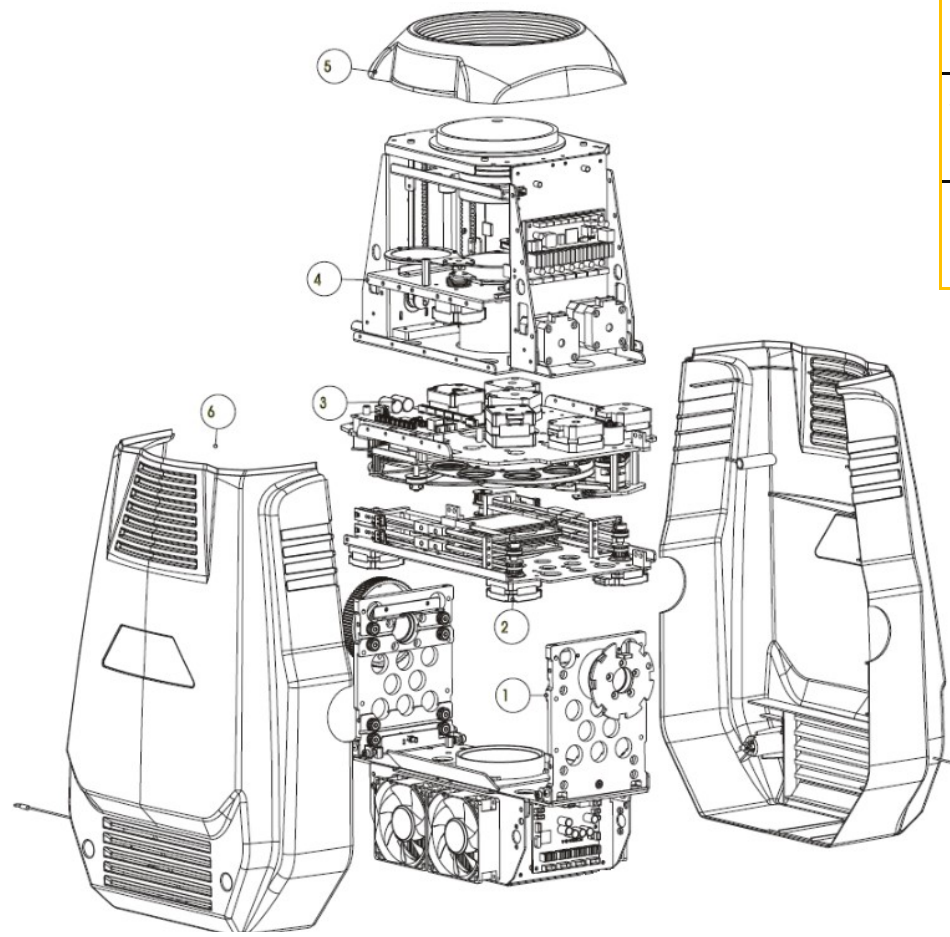
[Recommended Spares List](#)

[Technical Data Sheet](#)

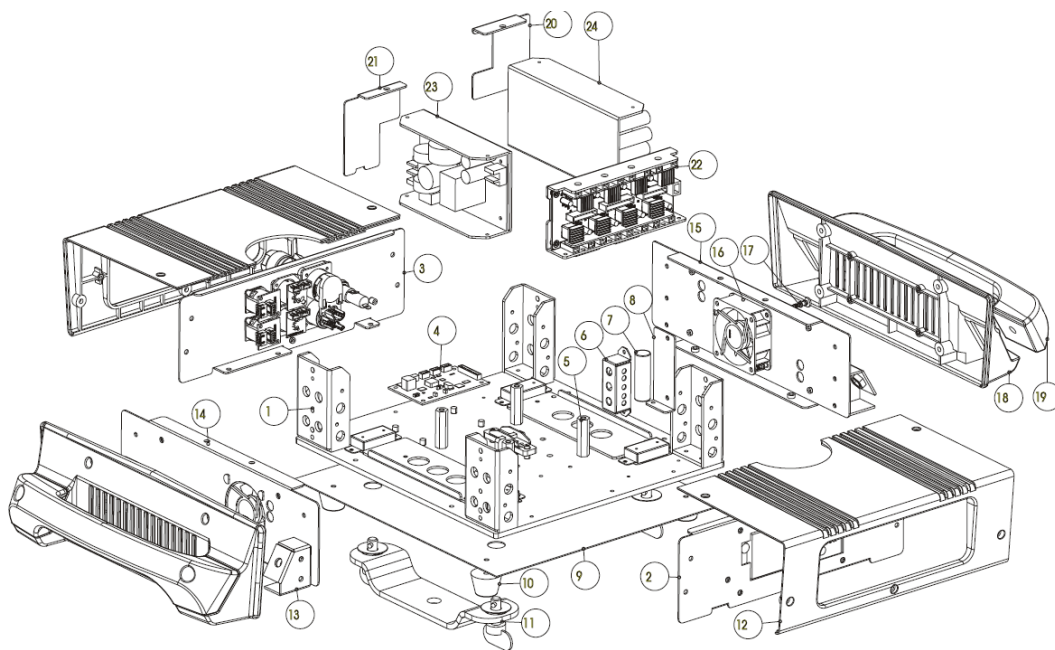
[Main Page](#)

[Manual](#)

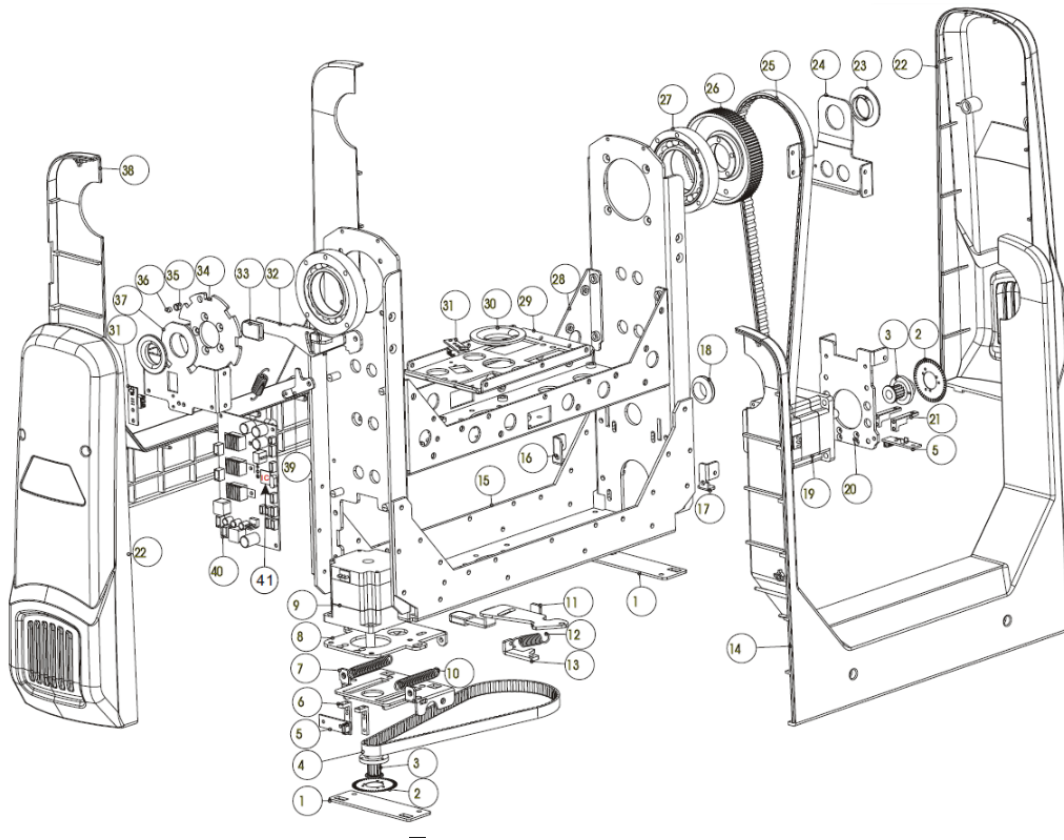
[DMX Protocol](#)



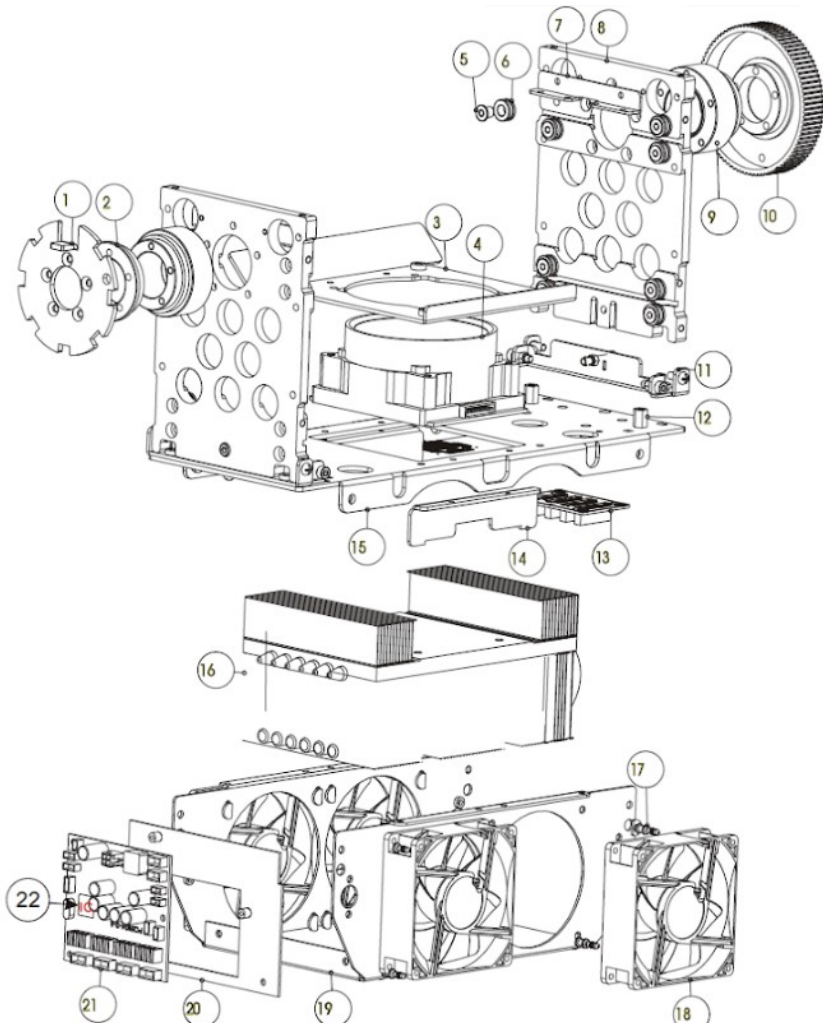
Reference Number	Fixture	HES Description	HES Part Number
2	SolaSpot 1000	Module Color Mix	H7280042
3	SolaSpot 1000	Module Gobo	H7280041
4	SolaSpot 1000	Module Zoom/Focus	H7280040
5	SolaSpot 1000	Cover Head Front	H7280039
6	SolaSpot 1000	Cover Head	H7280038



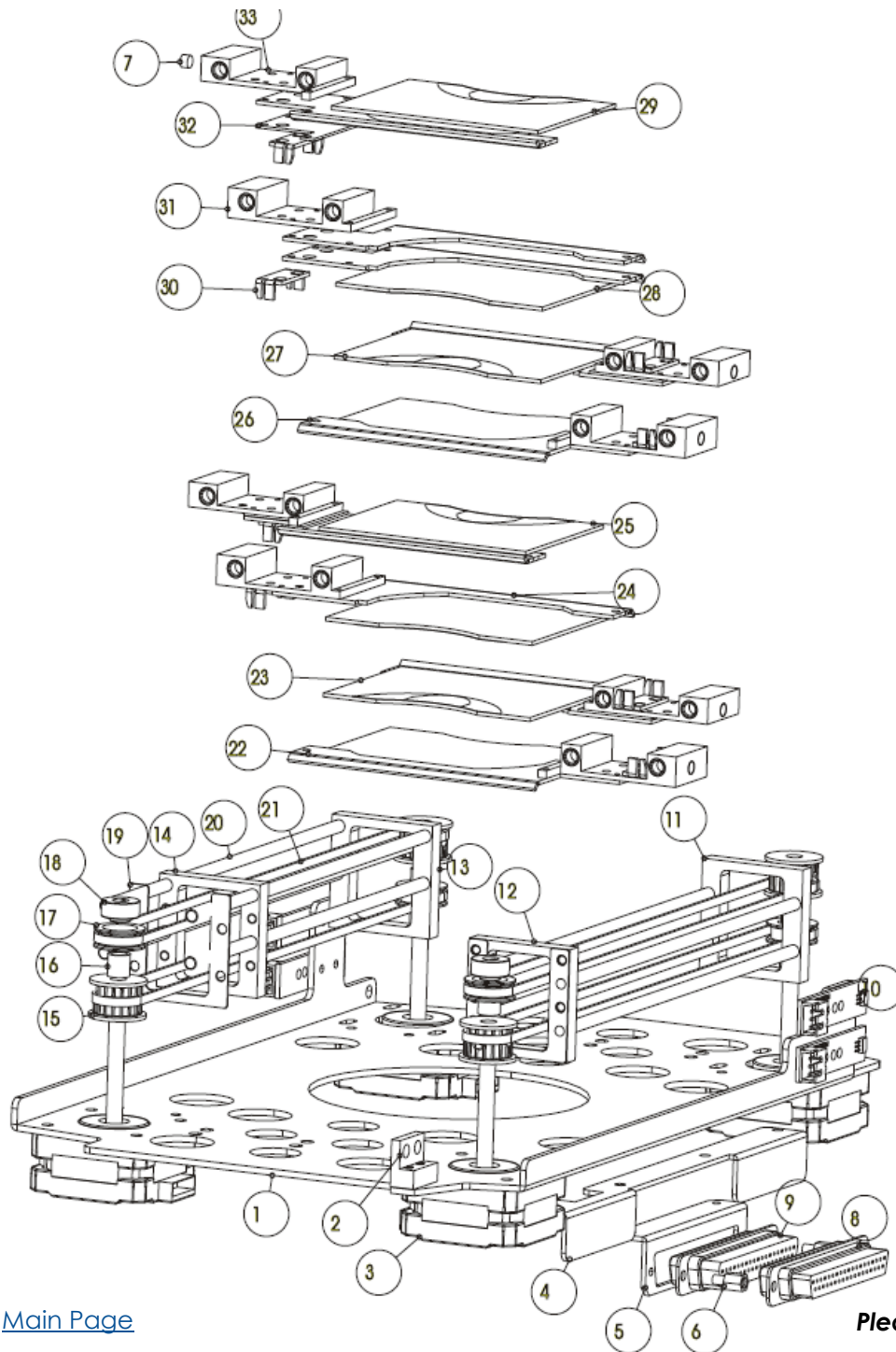
Reference Number	Fixture	HES Description	HES Part Number
4	SolaSpot 1000	LED Control PCB 6U	H7280003
7	SolaSpot 1000	Display Battery	H7150018
11	SolaSpot 1000	Truss Mount Brackets	H7150008
12	SolaSpot 1000	Cover Base Front/Rear	H7280009
22	SolaSpot 1000	LED Distribution PCB	H7290005
23	SolaSpot 1000	Motor Power Supply (28V DC Output)	H7280005
24	SolaSpot 1000	LED Power Supply (52V DC Output)	H7290003



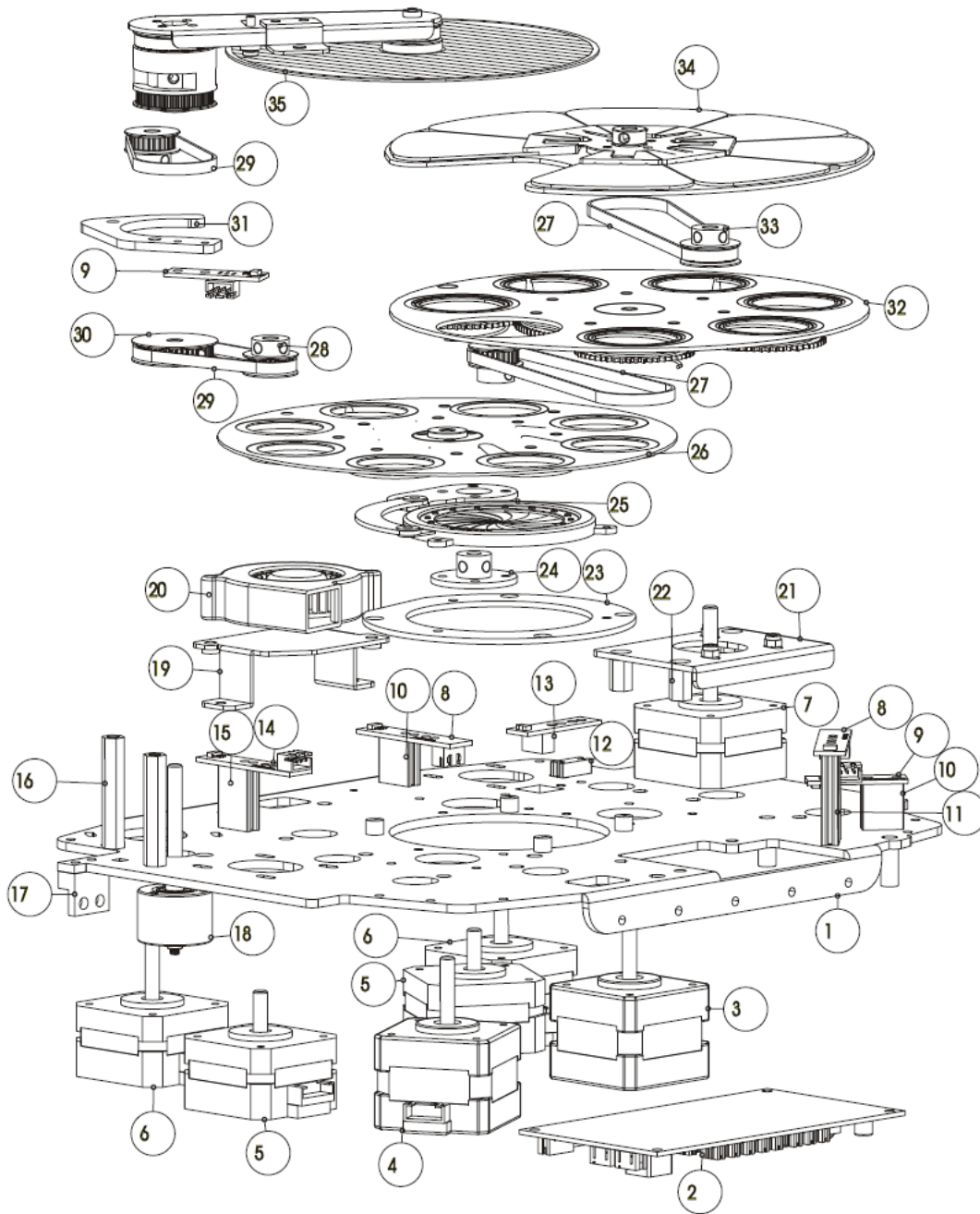
Reference Number	Fixture	HES Description	HES Part Number
4	SolaSpot 1000	Belt Pan	H7280037
5	SolaSpot 1000	Sensor Pan/Tilt Encoder	H7150024
9	SolaSpot 1000	Motor Pan	H7280035
11	SolaSpot 1000	Pan Lock	H7280034
14	SolaSpot 1000	Cover Yoke	H7280033
19	SolaSpot 1000	Motor Tilt	H7280032
22	SolaSpot 1000	Yoke Arm Cover	H7280031
25	SolaSpot 1000	Belt Tilt	H7280030
31	SolaSpot 1000	Sensor Pan/Tilt	H7300117
32	SolaSpot 1000	Tilt Lock	H7280028
33	SolaSpot 1000	Rubber Sleeve	HW6948
38	SolaSpot 1000	Cover Yoke Lock Side	H7280026
40	SolaSpot 1000	PCB Pan/Tilt 2U	H7280025



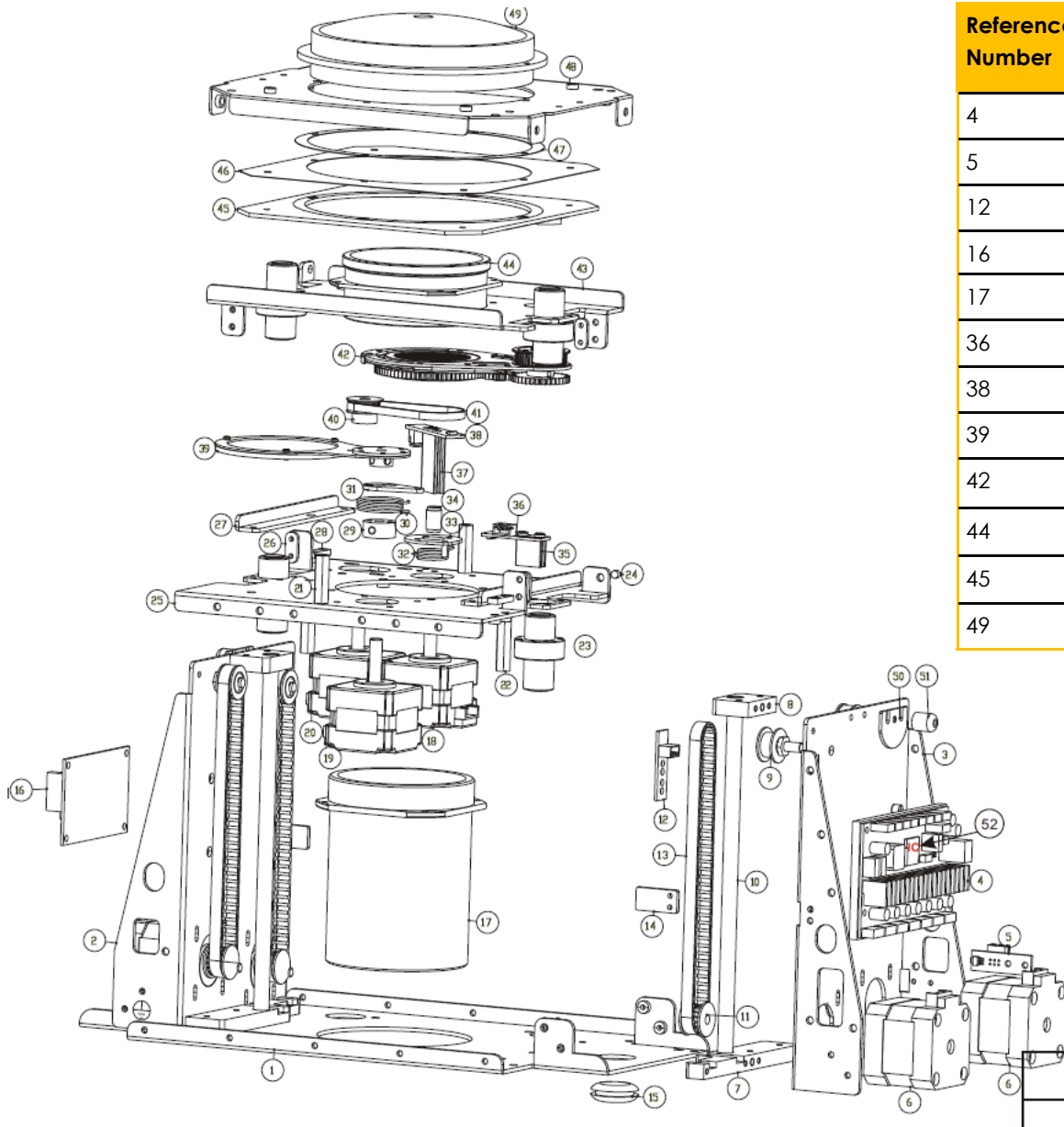
Reference Number	Fixture	HES Description	HES Part Number
4	SolaSpot 1000	LED Light Engine 7000K	H7280046
13	SolaSpot 1000	PCB Junction Head	H7290012
16	SolaSpot 1000	LED Heatsink	H7280045
18	SolaSpot 1000	Fan LED	H7280044
21	SolaSpot 1000	PCB Color Mix	H7280043



Ref. No.	Fixture	HES Description	HES Part Number
10	SolaSpot 1000	Sensor Color Mix	H7280056
22	SolaSpot 1000	FLAG MAGENTA BOTTOM	H7280054
23	SolaSpot 1000	FLAG MAGENTA TOP WITH MAGNET	H7280053
24	SolaSpot 1000	FLAG CYAN BOTTOM WITH MAGNET	H7280052
25	SolaSpot 1000	FLAG CYAN TOP	H7280051
26	SolaSpot 1000	FLAG YELLOW BOTTOM	H7280050
27	SolaSpot 1000	FLAG YELLOW TOP WITH MAGNET	H7280049
28	SolaSpot 1000	FLAG CTO BOTTOM WITH MAGNET	H7280048
29	SolaSpot 1000	FLAG CTO TOP	H7280047



Reference Number	Fixture	HES Description	HES Part Number
2	SolaSpot 1000	PCB Gobo Animation Iris	H7280057
8	SolaSpot 1000	Sensor Color Wheel	H7280077
9	SolaSpot 1000	Sensor	H7280029
13	SolaSpot 1000	Sensor Zoom	H7280075
14	SolaSpot 1000	Sensor Color Mix	H7280056
25	SolaSpot 1000	Iris Assembly	H7280064
26	SolaSpot 1000	Wheel Static Gobo	H7280063
32	SolaSpot 1000	Wheel Rotating Gobo	H7280060
34	SolaSpot 1000	Wheel Color	H7280059
35	SolaSpot 1000	Wheel Animation	H7280058



Reference Number	Fixture	HES Description	HES Part Number
4	SolaSpot 1000	PCB Focus, Zoom, Prism, Frost	H7280066
5	SolaSpot 1000	Sensor Focus	H7280076
12	SolaSpot 1000	Sensor	H7280075
16	SolaSpot 1000	PCB Junction Head	H7150061
17	SolaSpot 1000	Lens Zoom	2560A2020
36	SolaSpot 1000	Sensor	H7300117
38	SolaSpot 1000	Sensor	H7280077
39	SolaSpot 1000	Frost Assembly	H7280072
42	SolaSpot 1000	Prism Assembly- 4 Facet Linear	H7280070
44	SolaSpot 1000	Focus Lens	H7280073
45	SolaSpot 1000	PCB Lens Heater	H7280068
49	SolaSpot 1000	Lens Output	H7280067



SOLASPOT 1000 RECOMMENDED SPARES BASED ON 20 FIXTURES			
	PART NUMBER	DESCRIPTION	QUANTITY
	H7300084	FUSE 12A 6x32 250V SLOW BLOW CERAMIC	1
	H7280046	LED LIGHT ENGINE	1
	H7280043	PCB COLOR MIX	1
	H7280016	PCB DISPLAY ASSEMBLY	1
	H7280023	PCB ETHERNET PORT	1
	H7280066	PCB FOCUS/ZOOM/PRISM/FROST	1
	H7280057	PCB GOBO/ANIMATION/IRIS	1
	H7280003	PCB LED CONTROL	1
	H7280025	PCB PAN/TILT	1
	H7280004	POWER SUPPLY LED (52VDC)	1
	H7280005	POWER SUPPLY MOTOR (28VDC)	1
	H7300164	SENSOR COLOR MIX	1
	H7280077	SENSOR COLOR WHEEL	1
	H7300093	SENSOR FOCUS	1
	H7300117	SENSOR PAN/TILT HOMING	1
	H7300094	SENSOR ZOOM	1

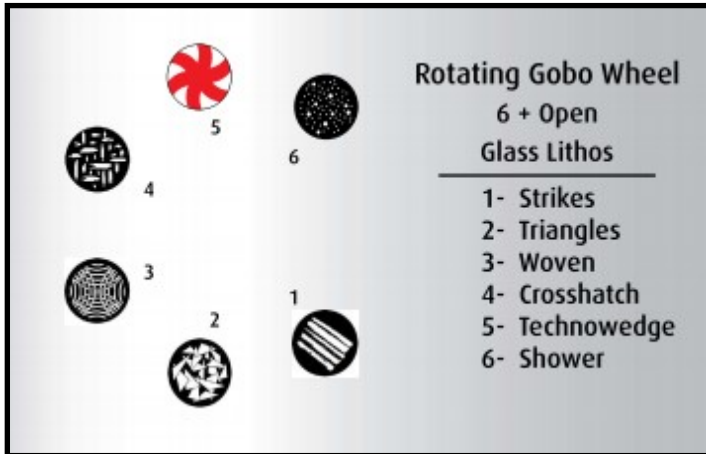


SolaSpot 1000 PCB Identifiers

PCB Software ID	Controls
1U	Display
2U	Pan, Tilt
3U	CMY, CTO
4U	Gobo 1 & 2, Gobo 1 Rotation, Animation, Animation Rotate, Color Wheel, Iris
5U	Focus, Prism, Zoom, Frost
6U	LED Control

SolaSpot 1000 Miscellaneous Parts

[Main Page](#)



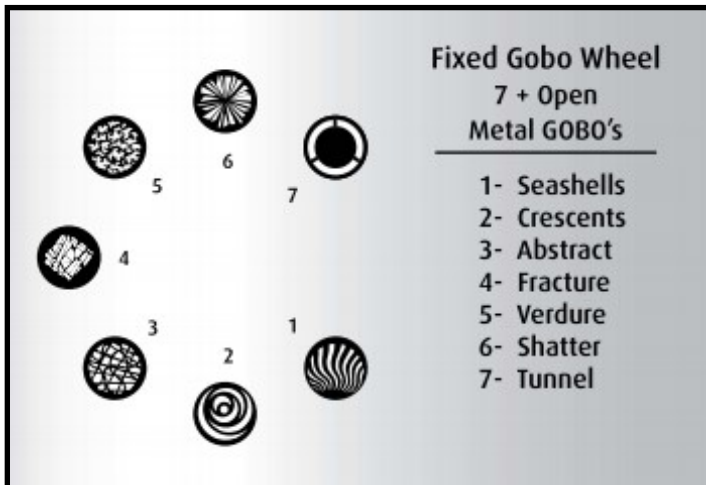
Rotating Gobo Wheel
6 + Open
Glass Lithos

- 1- Strikes
- 2- Triangles
- 3- Woven
- 4- Crosshatch
- 5- Technowedge
- 6- Shower

Gobo Description	HES Part Number
1- Strikes	H7170102
2- Triangles	H7170103
3- Woven	H7170104
4- Crosshatch	H7280104
5- Technowedge	H7280105
6- Shower	H7280106



***Fracture gobo contains homing magnet and must be placed back in same position in order to Home properly.*



Fixed Gobo Wheel
7 + Open
Metal GOBO's

- 1- Seashells
- 2- Crescents
- 3- Abstract
- 4- Fracture
- 5- Verdure
- 6- Shatter
- 7- Tunnel

Gobo Description	HES Part Number
1- Seashells	H7280107
2- Crescents	H7280108
3- Abstract	H7280109
4- Fracture	H7280110
5- Verdure	H7280111
6- Shatter	H7280112
7- Tunnel	H7280113

Gobo Holder	HES Part Number
With Magnet, Rotating	H7280096
Without Magnet, Rotating	H7280097
Static	H7280095

Accessories

Model #	Description
67040010	Mini-Claw
67040007	Mega-Claw
55040014	Cheeseborough Two Alloy 1/2 Couple Truss Clamp

Uploader	H7000000
-----------------	----------

Gobo Dimensions \varnothing { O.D.- 30mm (1.18 in)
Image Area- 25mm (.98 in)