

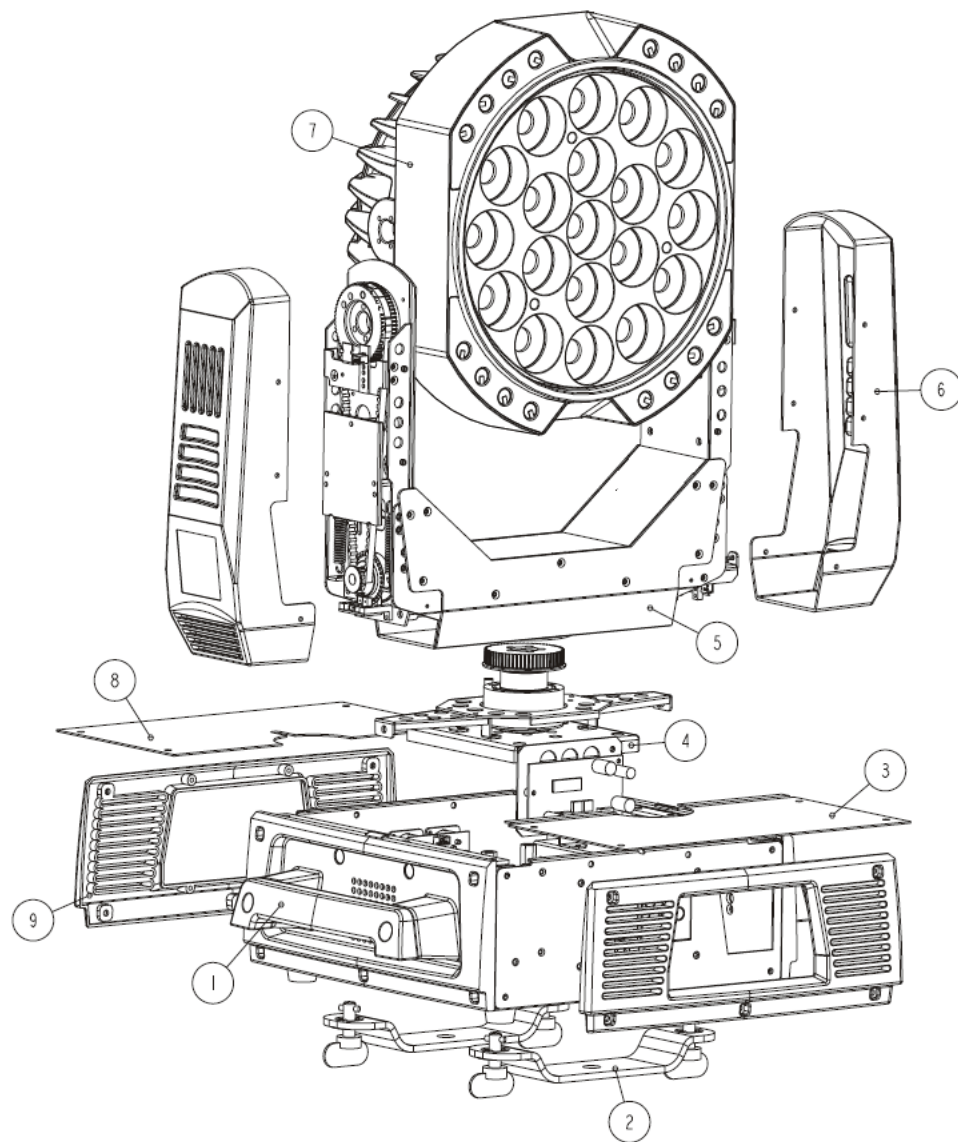


HIGH END SYSTEMS

Exploded Diagram **SolaWash 19**

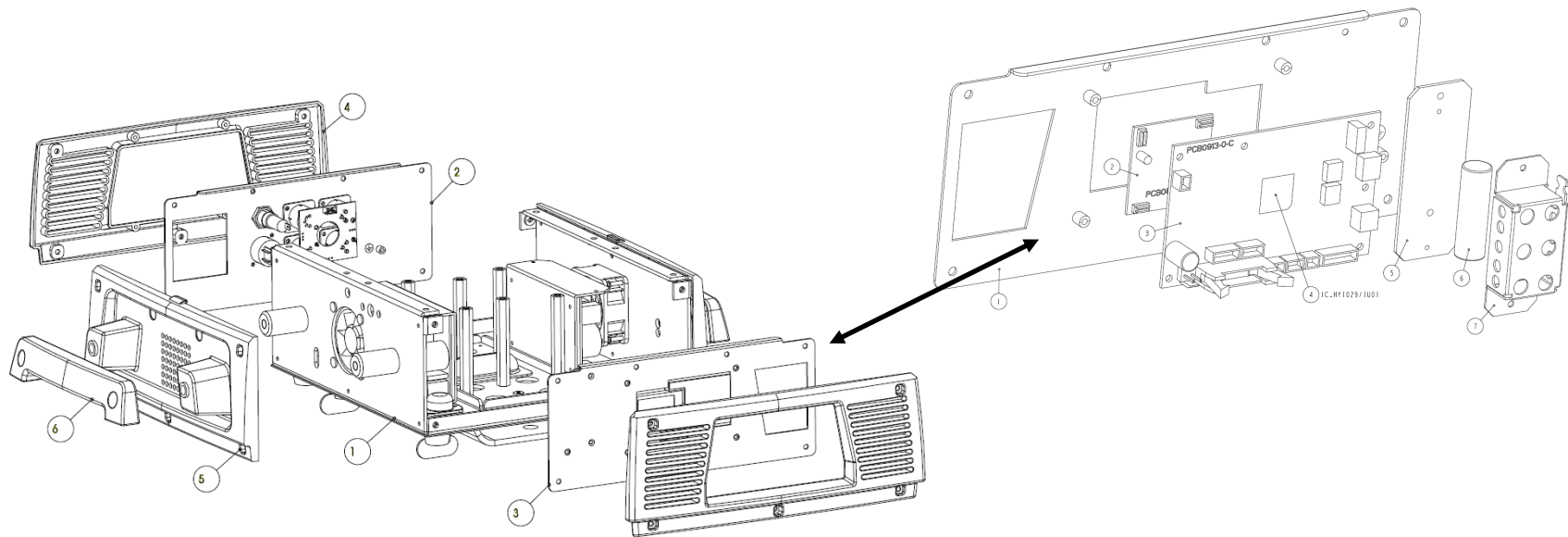


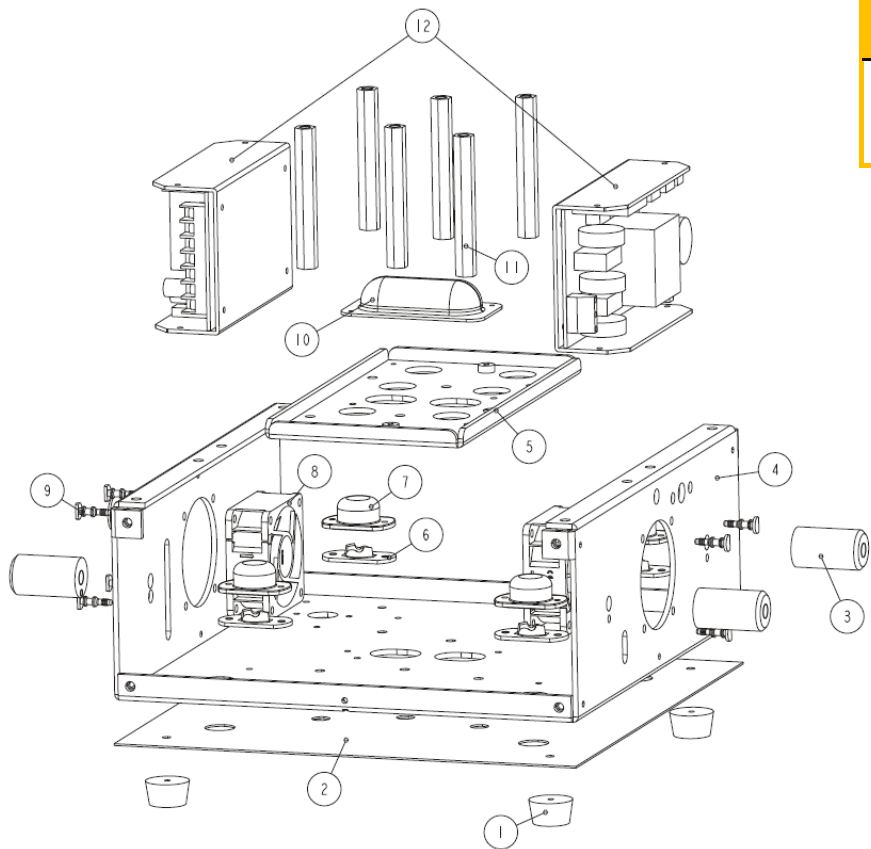
Part Number	Fixture Name	Color	Packaging
H7010006	SolaWash 19	Black	Road Case



Reference Number	Fixture	HES Description	HES Part Number
2	SolaWash 19	Truss Mount Brackets	H7150008
6	SolaWash 19	Cover Yoke Arm	H7300008
7	SolaWash 19	Head Bezel Assembly with Indigo Highlighters	H7060008
9	SolaWash 19	Cover Base Front Rear Panel	H7090004

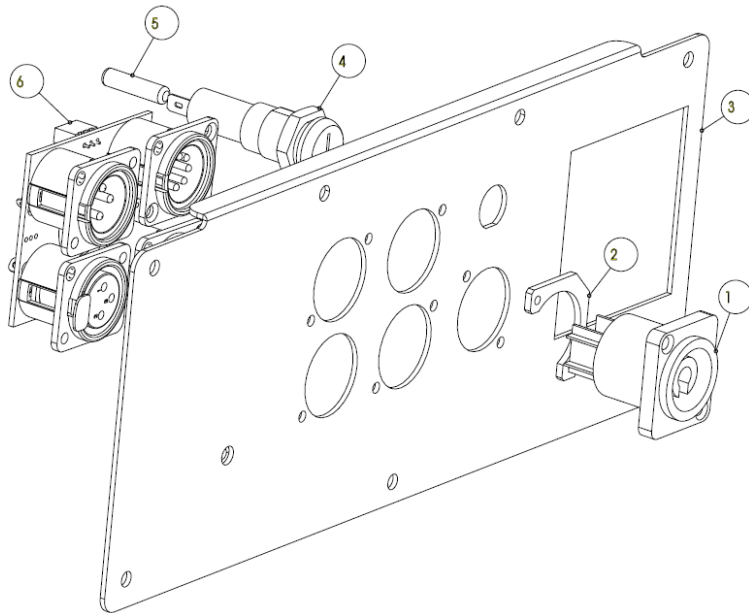
Reference Number	Fixture	HES Description	HES Part Number
3	SolaWash 19	PCB Display 1U- <i>for units manufactured after July 2015</i>	H7300020
3	SolaWash 19	PCB Display 1U- <i>for units manufactured before July 2015</i>	H7300009
4	SolaWash 19	Cover Base Front Rear Panel	H7090004



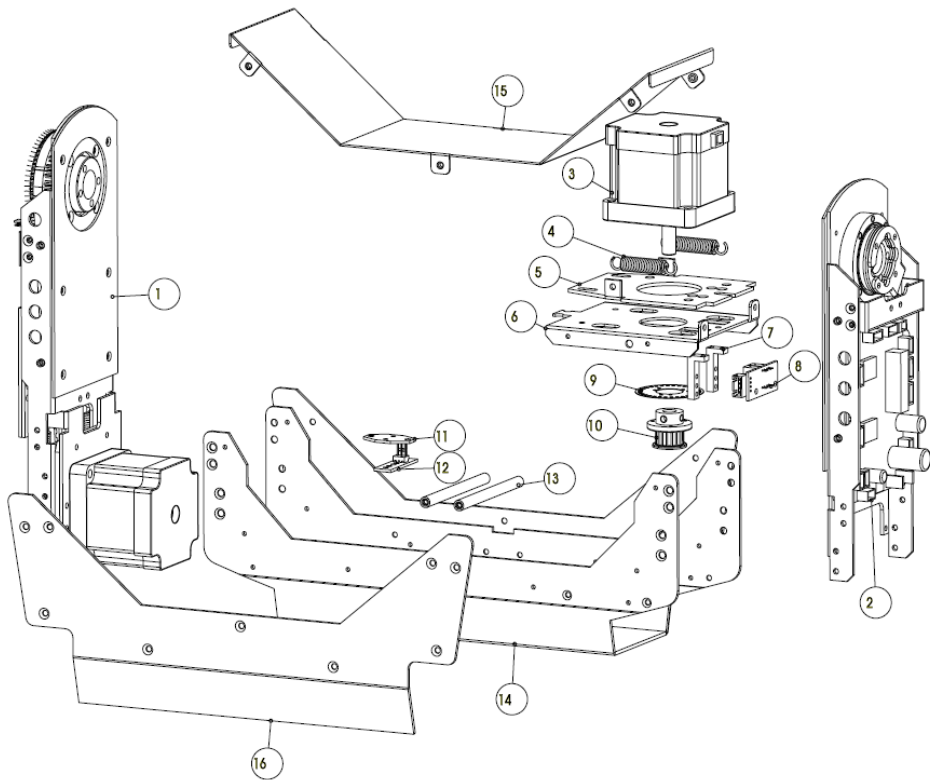


Reference Number	Fixture	HES Description	HES Part Number
12	SolaWash 19	Power Supply	H7300002

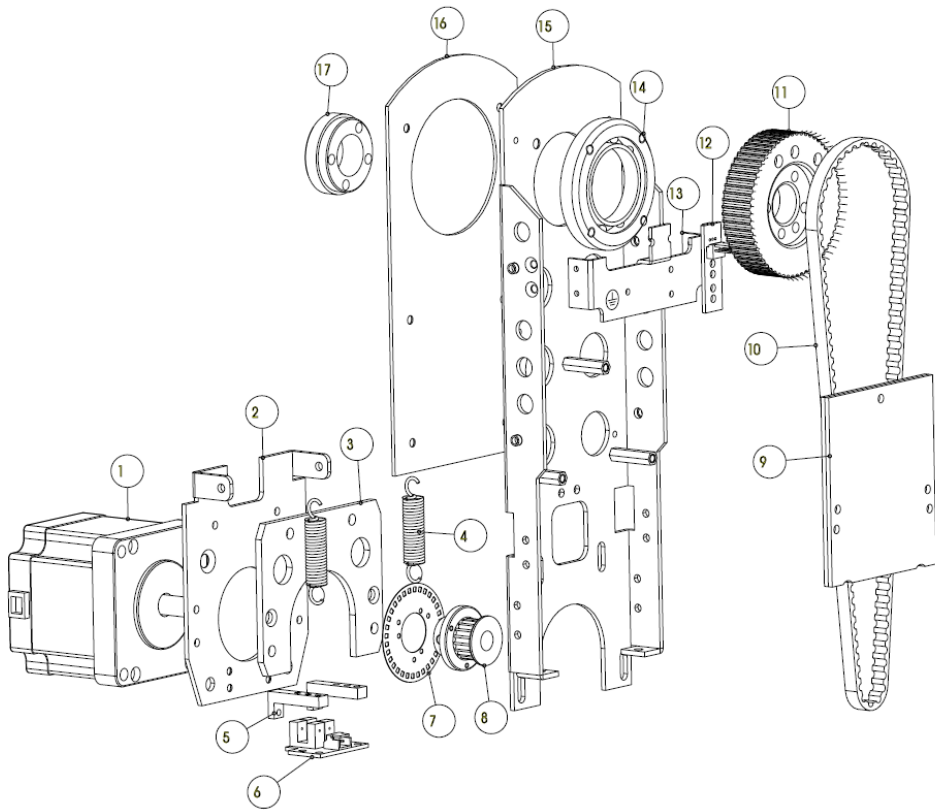
Reference Number	Fixture	HES Description	HES Part Number
4	SolaWash 19	Fuse Holder	H7180025
5	SolaWash 19	Fuse	Contact HES
6	SolaWash 19	PCB DMX I/O	H7600022



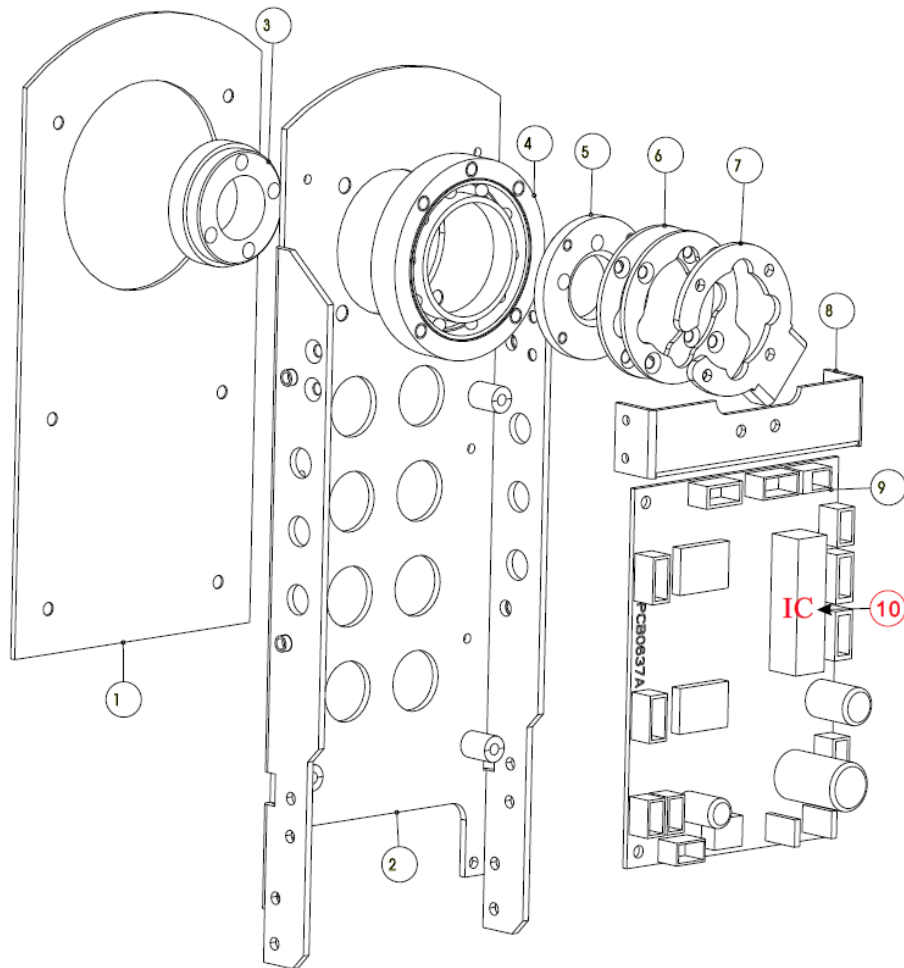
Reference Number	Fixture	HES Description	HES Part Number
2	SolaWash 19	PCB Pan/Tilt 2U	H7300010
3	SolaWash 19	Motor Pan	H7060001
8	SolaWash 19	Sensor Pan Encoder	H7300004
12	SolaWash 19	Sensor Pan Homing	H7300003



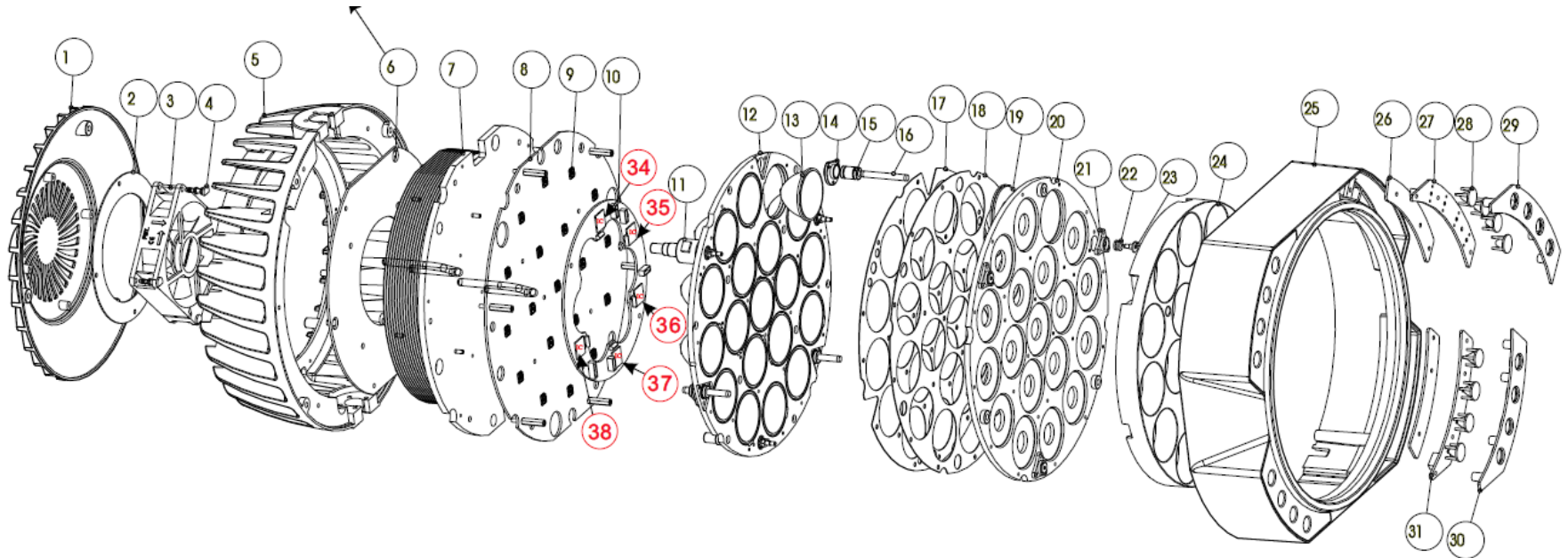
Reference Number	Fixture	HES Description	HES Part Number
1	SolaWash 19	Motor Tilt	H7060001
6	SolaWash 19	Sensor Tilt Encoder	H7300005
10	SolaWash 19	Belt Tilt	H7300014
12	SolaWash 19	Tilt Homing Sensor	H7300003



Reference Number	Fixture	HES Description	HES Part Number
10	SolaWash 19	PCB Pan/Tilt 2U	H7300010



Reference Number	Fixture	HES Description	HES Part Number
3	SolaWash 19	Fan Head	H7400005
6	SolaWash 19	PCB Fan 6U	H7300011
9	SolaWash 19	PCB 19 LED's	H7300016
9	Note:	If you need to replace LED PCB (#9) and it has white connectors then you will also need to order #10	
10	SolaWash 19	PCB LED Driver 4U (black connectors)	H7300013
25-31	SolaWash 19	Head Bezel Assembly with Indigo Highlighters	H7060008



SolaWash 19 Parts & Accessories

Accessories

Model #	Description
67040010	Mini-Claw
67040007	Mega-Claw
55040014	Cheeseborough Two Alloy 1/2 Couple Truss Clamp
Uploader	H7000000

SOLAWASH 19 RECOMMENDED SPARES BASED ON 20 FIXTURES			
	PART NUMBER	DESCRIPTION	QUANTITY
	H7300011	BOARD FAN	1
	H7300012	BOARD LED CONTROL	1
	H7300013	BOARD LED DRIVER	1
	H7300010	BOARD PAN/TILT	1
	H7300009	BOARD DISPLAY	1
	H7300006	INDIGO HIGHLIGHTER PCB A	1
	H7300007	INDIGO HIGHLIGHTER PCB B	1
	H7300002	POWER SUPPLY	1
	H7300004	SENSOR PAN ENCODER	1
	H7300003	SENSOR PAN/TILT HOMING	1
	H7300005	SENSOR TILT ENCODER	1

SolaWash 19 PCB Identifiers

PCB Software ID	Controls
1U	Display
2U	Pan, Tilt
3U	Zoom
4U01-4U05	LED Control
5U	Indigo Highlighters
6U	Fan Control

Tech Note

Setting the RDM PID

To take advantage of the technical capabilities of the RDM system, each fixture must have a unique RDM PID, this unique identifying number is used by the controller to manage an individual fixture. There cannot be duplicate RDM PID on the same DMX cable run, this will result in a data collision, and the controller may or may not notify of this issue. Ensure that all fixtures have a unique RDM PID if RDM functionality is to be used. If DMX splitters are used and RDM control is to be used, these splitters must support RDM.

The number and type of RDM parameters depend on the RDM controller being used.

To Set the RDM PID*

Navigate to: Set -> Service Settings -> Service PIN Press <UP> button to select 050 and press <ENTER.>

Navigate to RDM PID: Press the <UP> button to select unique ID's for each fixture and press <ENTER.>

*(Applies to)

eMotion, Shapeshifter C1, C2, W1, W2, SolaWash 19, SolaWash 37, Uno, SolaWash 2k and all of its derivatives, SolaSpot 2k and all of its derivatives. And other fixtures in development