



HIGH END SYSTEMS

an ETC. Company



SolaPix 19

Part Number	Fixture Name	Color	Packaging/Description
2595A1100-B	SolaPix 19	Black	Molded Insert
2595K1001	SolaPix 19		Roadcase (fits 3 SolaPix 19s)

[User Manual](#)

[Fixture Accessories](#)

[PCB Information](#)

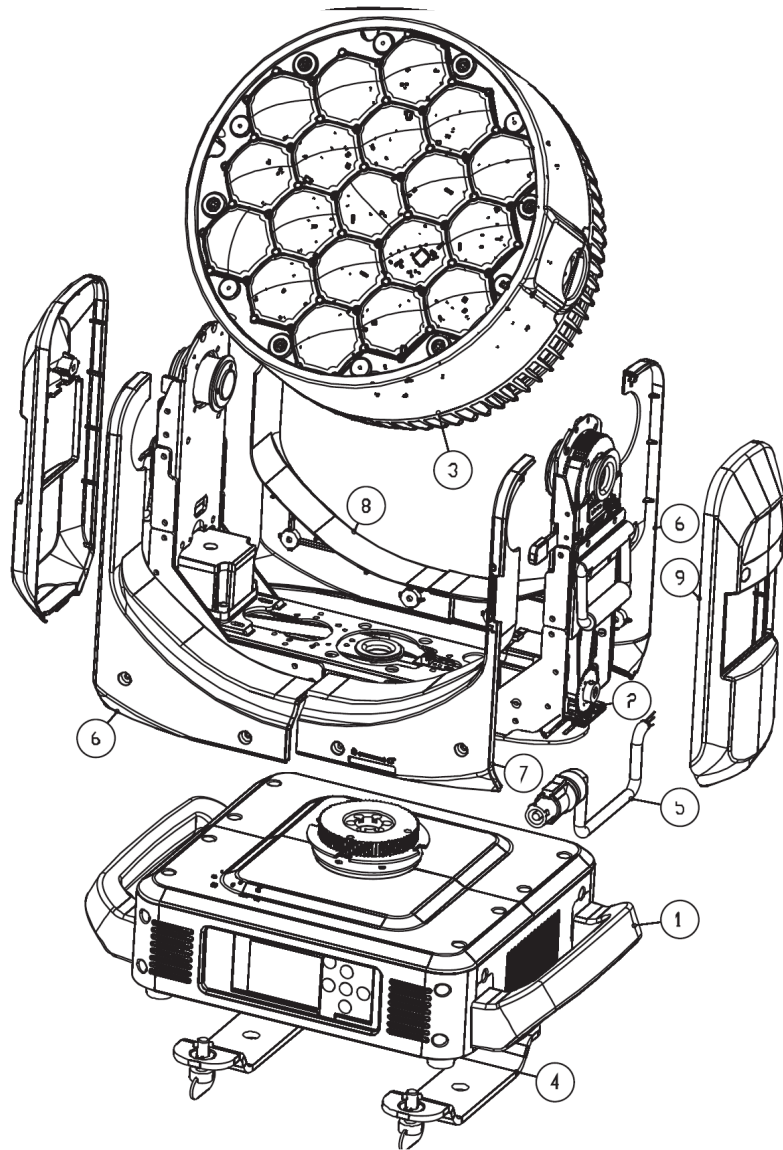
[Fixture Drawings](#)

[HES Main Parts List](#)

[Recommended Spares List](#)

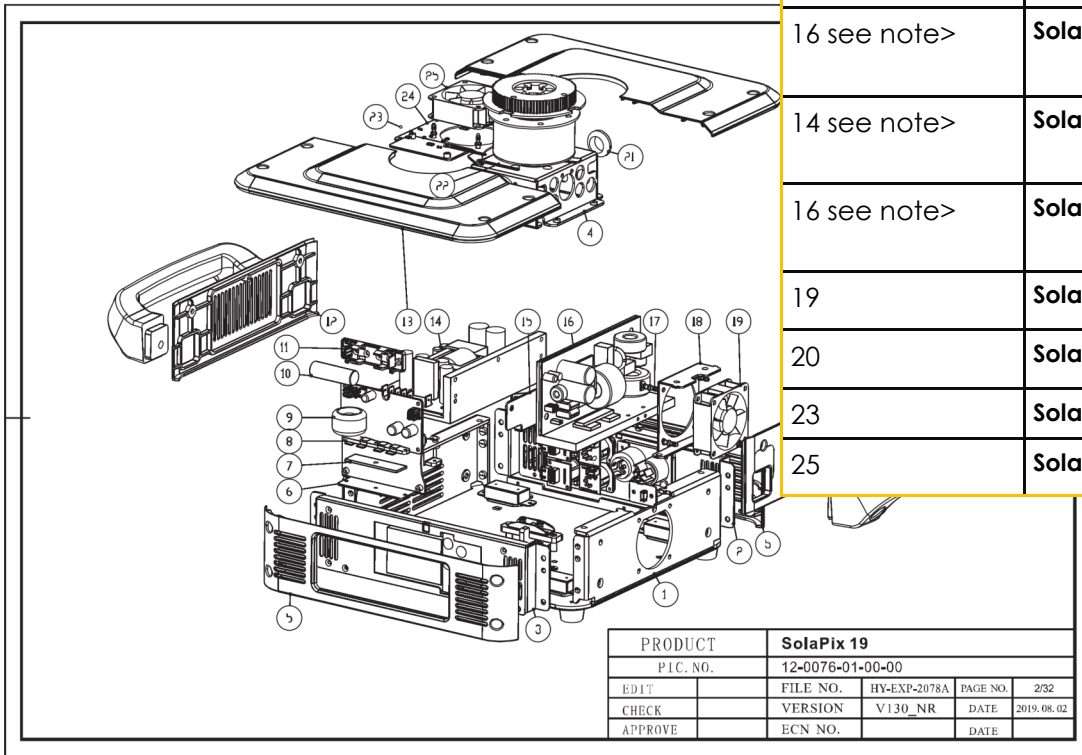
[Technical Data Sheet](#)

[DMX Protocol](#)



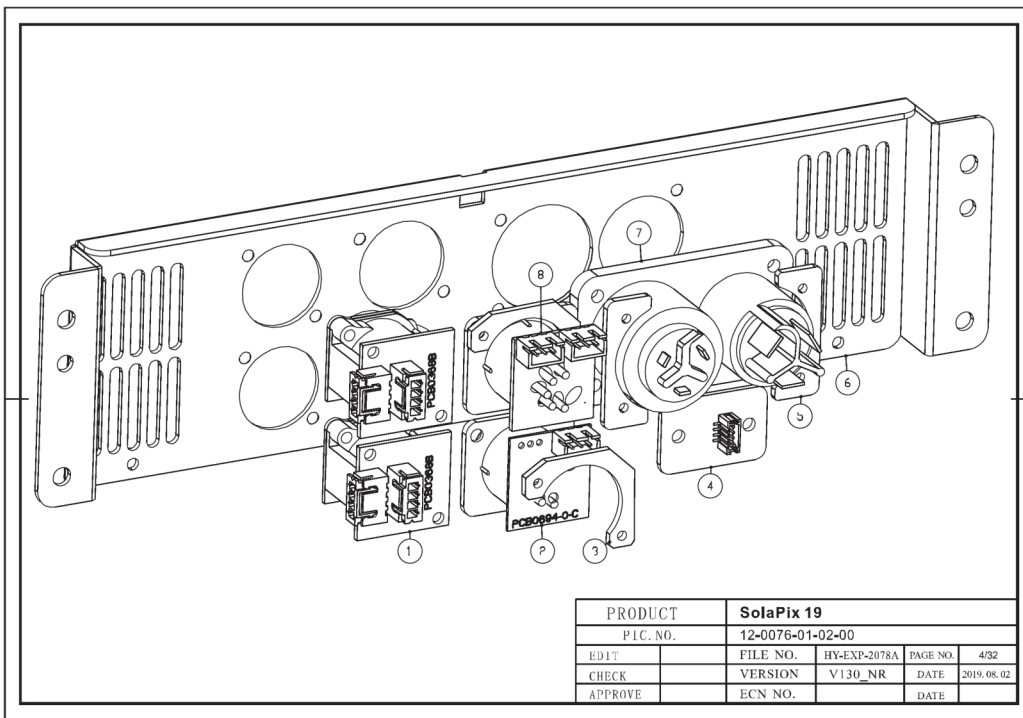
Reference Number	Fixture	HES Description	HES Part Number
2	SolaPix 19	Yoke Assembly	2595A2006
4	SolaPix 19	Base Clamp Mini Bracket	207990002
5	SolaPix 19	Power Cord	2595B7001
6	SolaPix 19	Cover Yoke Front Left	2595A4009
7	SolaPix 19	Cover Yoke Lock Side	2595A4010
8	SolaPix 19	Cover Yoke Rear Left	2595A4011
9	SolaPix 19	Cover Yoke Arm	2595A4008

Reference Number	Fixture	HES Description	HES Part Number
2	SolaPix 19	Rear Panel Assembly	2595A2004
3	SolaPix 19	Display Assembly	2595A2002
4	SolaPix 19	Pan Tube Assembly	2595A2003
5	SolaPix 19	Cover Base Front/Rear	2595A4003
9	SolaPix 19	PCB DC Converter 48V to 28V	2595B5003
10	SolaPix 19	Display Battery	BT173
12	SolaPix 19	Cover Base Side	2595A4005
13	SolaPix 19	Cover Base	2595A4002
14 see note>	SolaPix 19	PSU Output for serial #'s below 5509921090200	PS510
16 see note>	SolaPix 19	PSU Input for serial #'s below 5509921090200	PS509
14 see note>	SolaPix 19	PSU Output for serial #'s above	PS510-R2
16 see note>	SolaPix 19	PSU Input for serial #'s above	PS509-R2
19	SolaPix 19	Fan In/Out	B1122
20	SolaPix 19	Handle Base	2595A4012
23	SolaPix 19	PCB Converter 28V to 16V and 5V	2595B5002
25	SolaPix 19	Fan Output	B1123

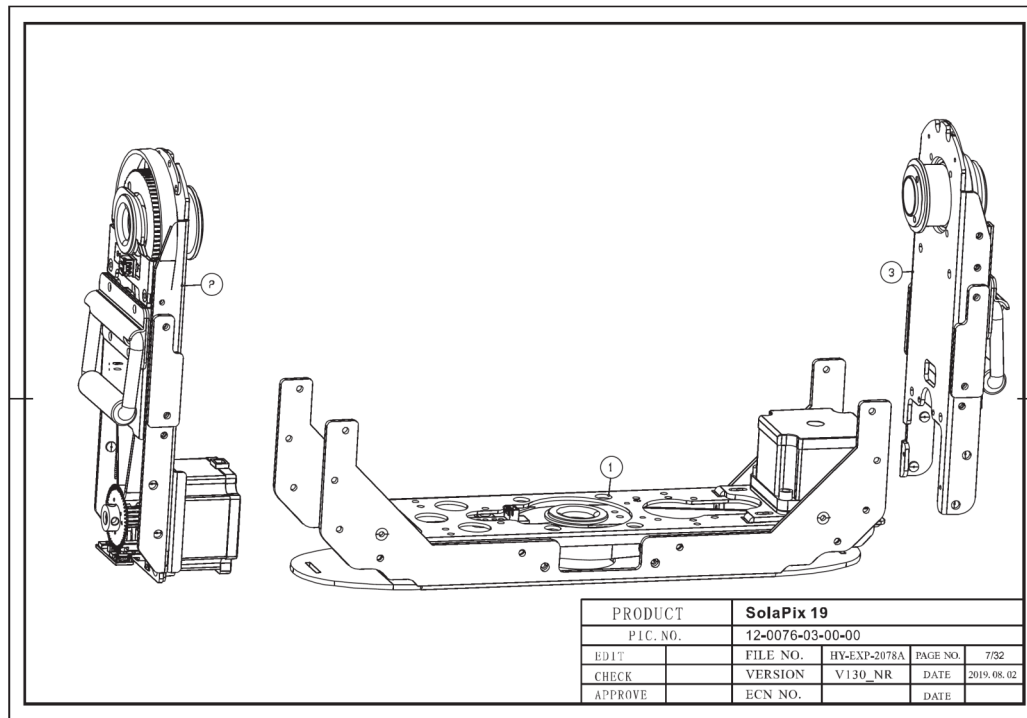


Please contact HES service for any part numbers that are not

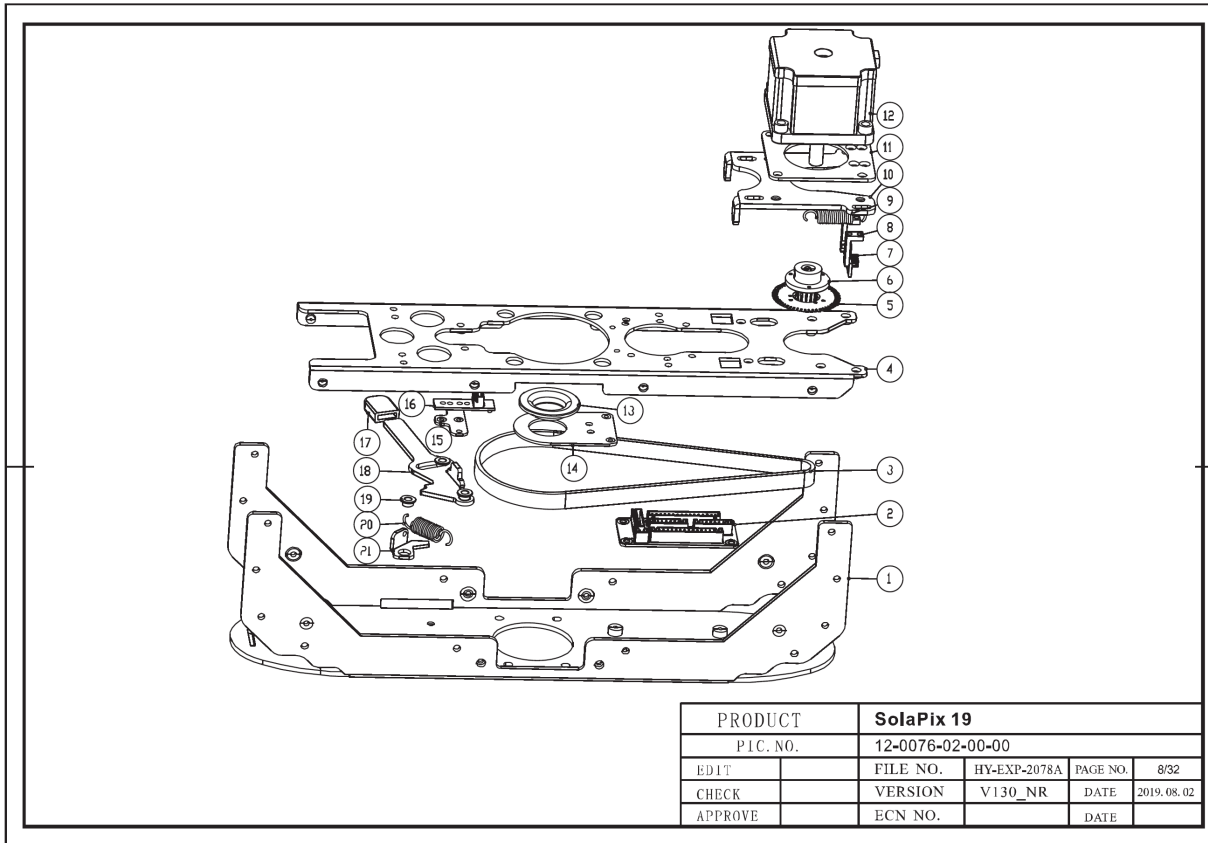
Reference Number	Fixture	HES Description	HES Part Number
1	SolaPix 19	PCB Ethernet	2560B5020
2	SolaPix 19	XLR Female	J1642
4	SolaPix 19	PCB USB	2581B5015
8	SolaPix 19	XLR Male	H7300082



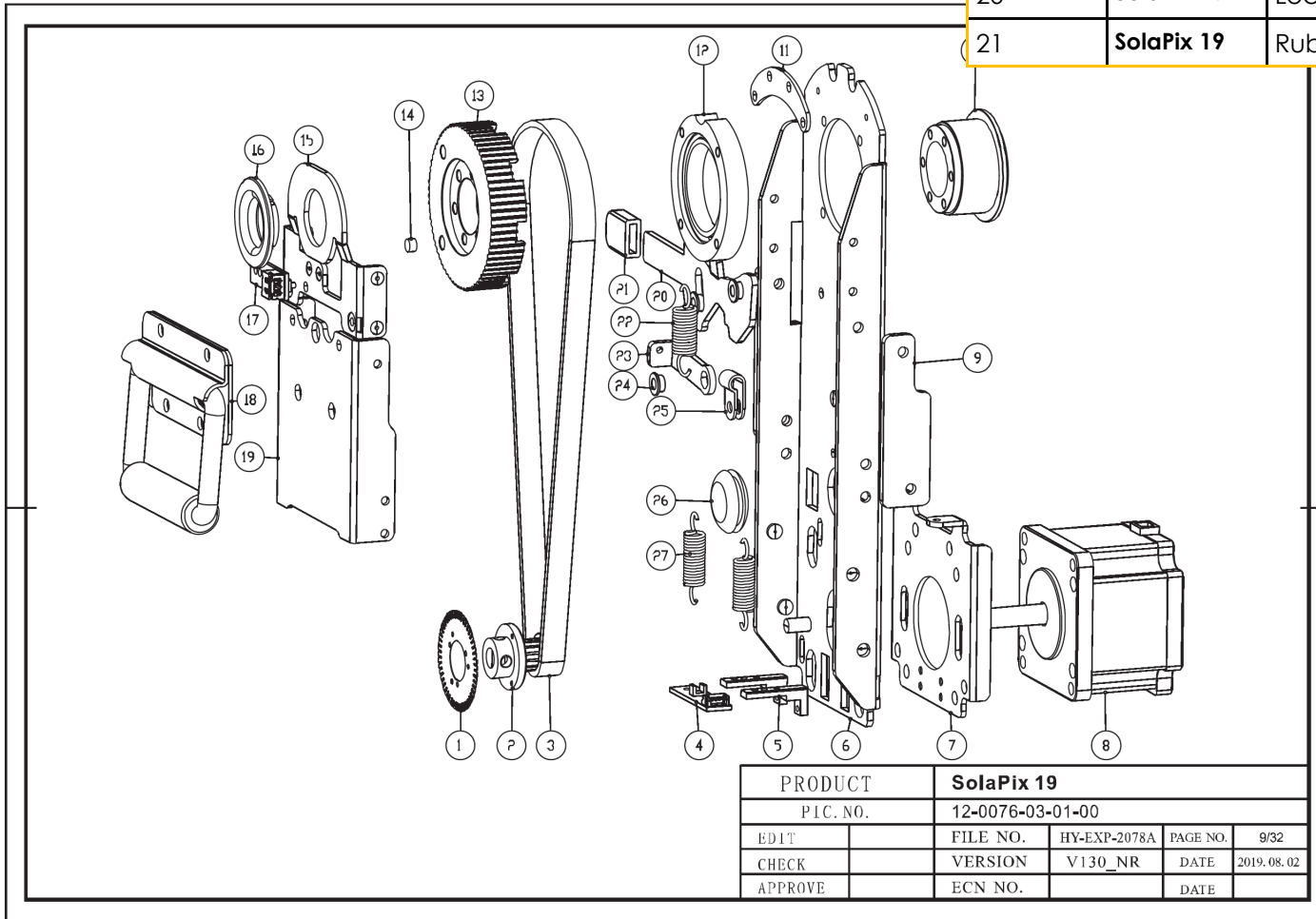
Reference Number	Fixture	HES Description	HES Part Number
1	SolaPix 19	Yoke Base Assembly	2595A2007
2	SolaPix 19	Yoke Belt Side	2595A2008



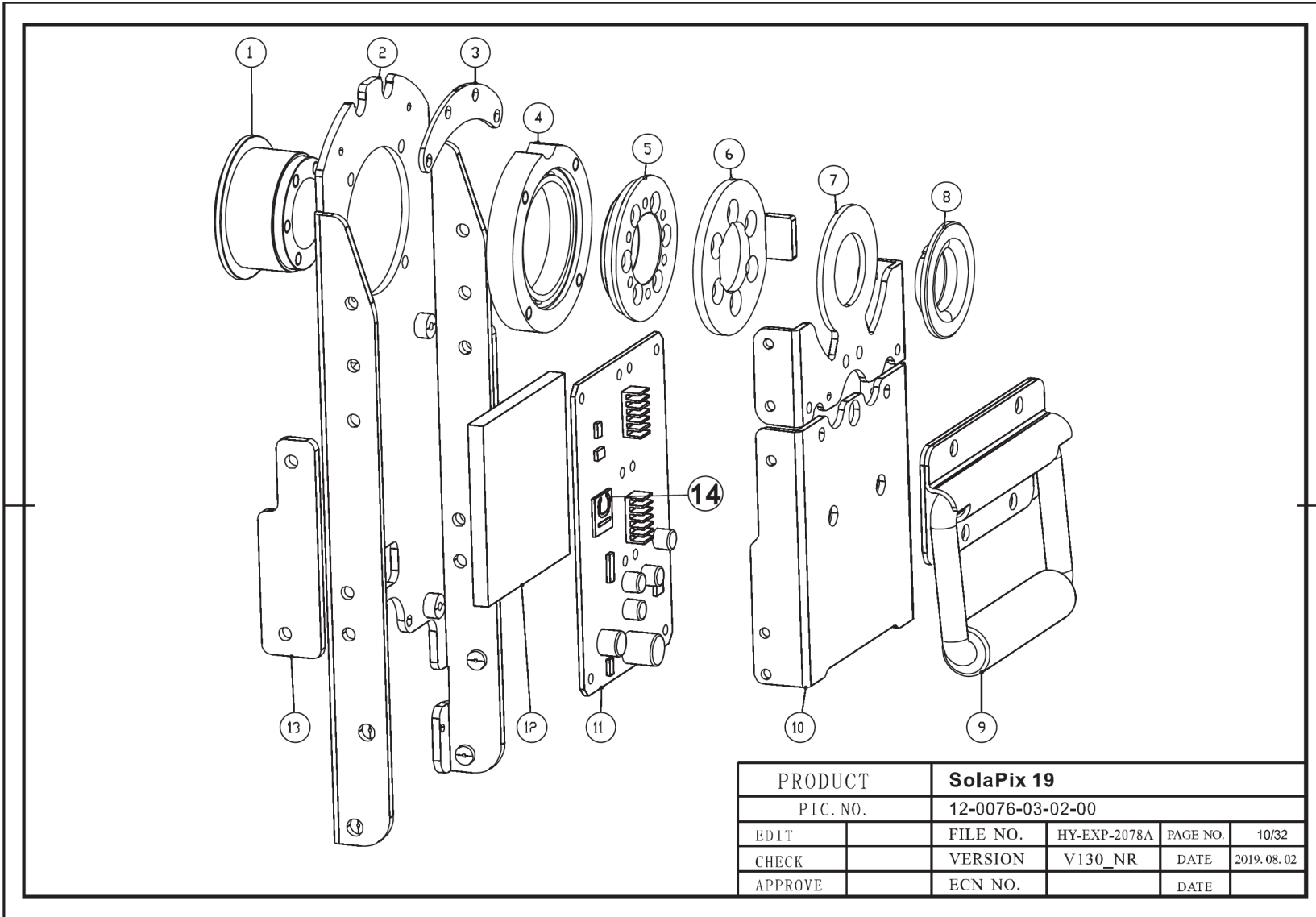
Reference Number	Fixture	HES Description	HES Part Number
2	SolaPix 19	PCB Junction Yoke Base FOR SERIAL NUMBERS 9510xxxxxx	2595B5004
2	SolaPix 19	PCB Junction Yoke Base FOR SERIAL NUMBERS 9511xxxxxx	2581B5068
3	SolaPix 19	Belt Pan	HW9564
7	SolaPix 19	Pan Encoder	2595B5009
12	SolaPix 19	Pan Motor	B2094
16	SolaPix 19	Sensor Pan Homing	2595B5010
18	SolaPix 19	Lock Pan	2595A3005



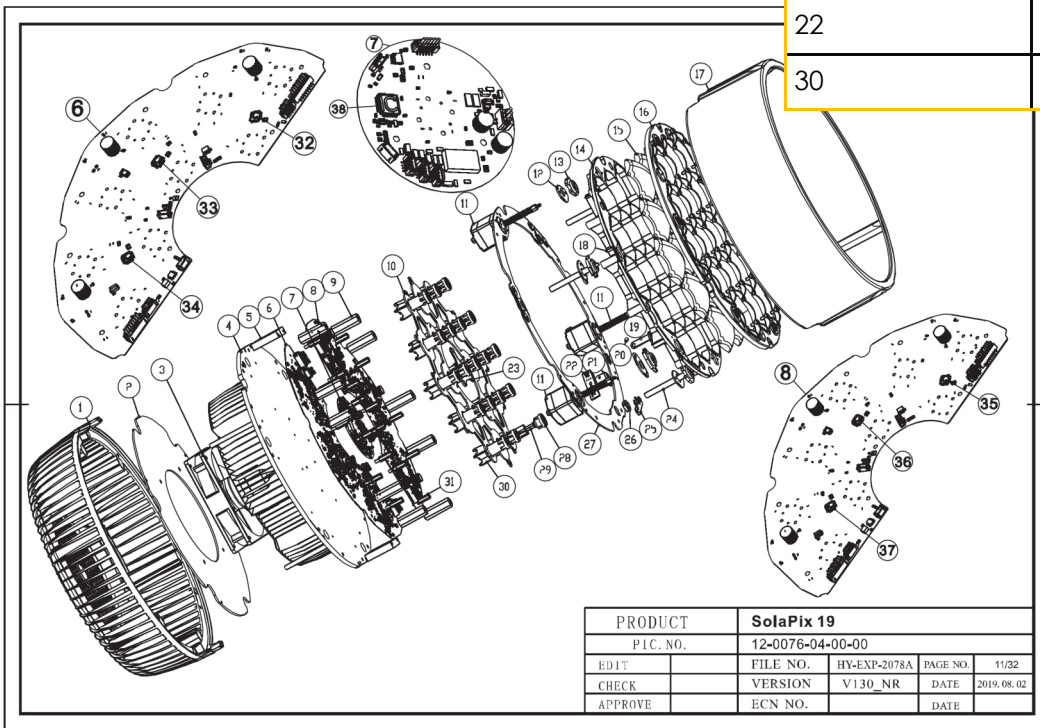
Reference Number	Fixture	HES Description	HES Part Number
3	SolaPix 19	Belt Tilt	HW9513
4	SolaPix 19	Sensor Tilt Encoder	2595B5012
8	SolaPix 19	Motor Tilt	B2095
17	SolaPix 19	Sensor Tilt	2595B5011
20	SolaPix 19	Lock Tilt	2595A3007
21	SolaPix 19	Rubber Sleeve	HW6948



Reference Number	Fixture	HES Description	HES Part Number
11	SolaPix 19	PCB Pan/Tilt 2U	2595B5008



Reference Number	Fixture	HES Description	HES Part Number
1	SolaPix 19	Cover Head Rear	2595A4007
3	SolaPix 19	Fan Head	B1121
6	SolaPix 19	PCB LED 3U	2595B5005
7	SolaPix 19	PCB LED Center 5U	2595B5007
8	SolaPix 19	PCB LED 4U	2595B5006
11	SolaPix 19	Motor Zoom	B2096
14	SolaPix 19	Cover Lens Bottom	2595A4013
15	SolaPix 19	Lens	2594A4003
16	SolaPix 19	Cover Lens Top	2595A4014
17	SolaPix 19	Cover Head Front	2595A4006
22	SolaPix 19	Sensor Tilt	2595B5011
30	SolaPix 19	Light Pipe Assembly	2595A2001



Please contact HES service for any part numbers that are not



SolaPix 19 PCB Identifiers

PCB Software ID	Controls	Location in Fixture
1U	Display	Fixture Base, Behind Screen
2U	Pan, Tilt	Fixture Head, non-Lock Side
3U	PCB LED	Fixture Head
4U	PCB LED	Fixture Head

SolaPix 19 Miscellaneous Parts

Accessories

Model	Description
2560B7004	Fixture power cord upgrade, L5-20 Edison to powerCON TRUE1, 20 A
2560B7005	Fixture power cord upgrade, Stage Pin to powerCON TRUE1, 20 A
2560B7006	Fixture power cord upgrade, L6-20 to powerCON TRUE1, 20 A
2560B7007	Fixture power cord upgrade, L5-20 to powerCON TRUE1, 20 A
67040007	Mega-Claw™
55040014	Cheeseborough 2" Alloy 1/2 Coupler Truss Clamp