



HIGH END SYSTEMS

an ETC. Company

SolaHyBeam 3000



Part Number	Fixture Name	Color	Packaging
2581A1400-B	SolaHyBeam 3000, Ultra Bright	Black	SolaHyBeam 3000, Ultra-Bright, black with molded insert
2581A1401-B	SolaHyBeam 3000, High Fidelity	Black	SolaHyBeam 3000, High Fidelity, black with molded insert
2581K1001	SolaHyBeam 3000, Road Case Only		

Color Options: Fixtures ship standard in black. White available by request.

Notes: Fixture includes two (2) Omega Brackets, one (1) fixture power cord, bare ends to powerCON TRUE1™ input, and a safety cable.

[Gobo Information](#)

[Fixture Accessories](#)

[PCB Information](#)

[Fixture Drawings](#)

[HES Main Parts List](#)

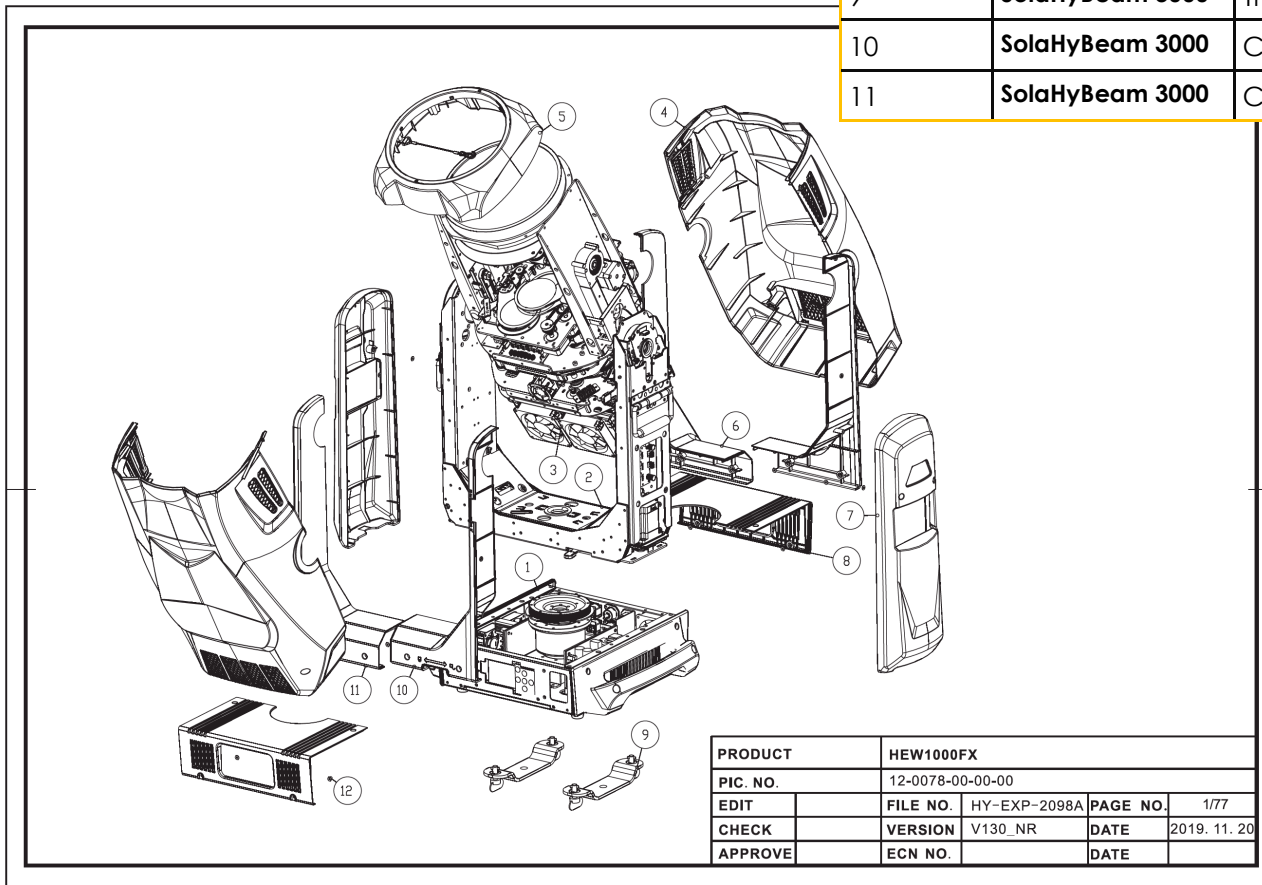
[User Manual](#)

[Recommended Spares List](#)

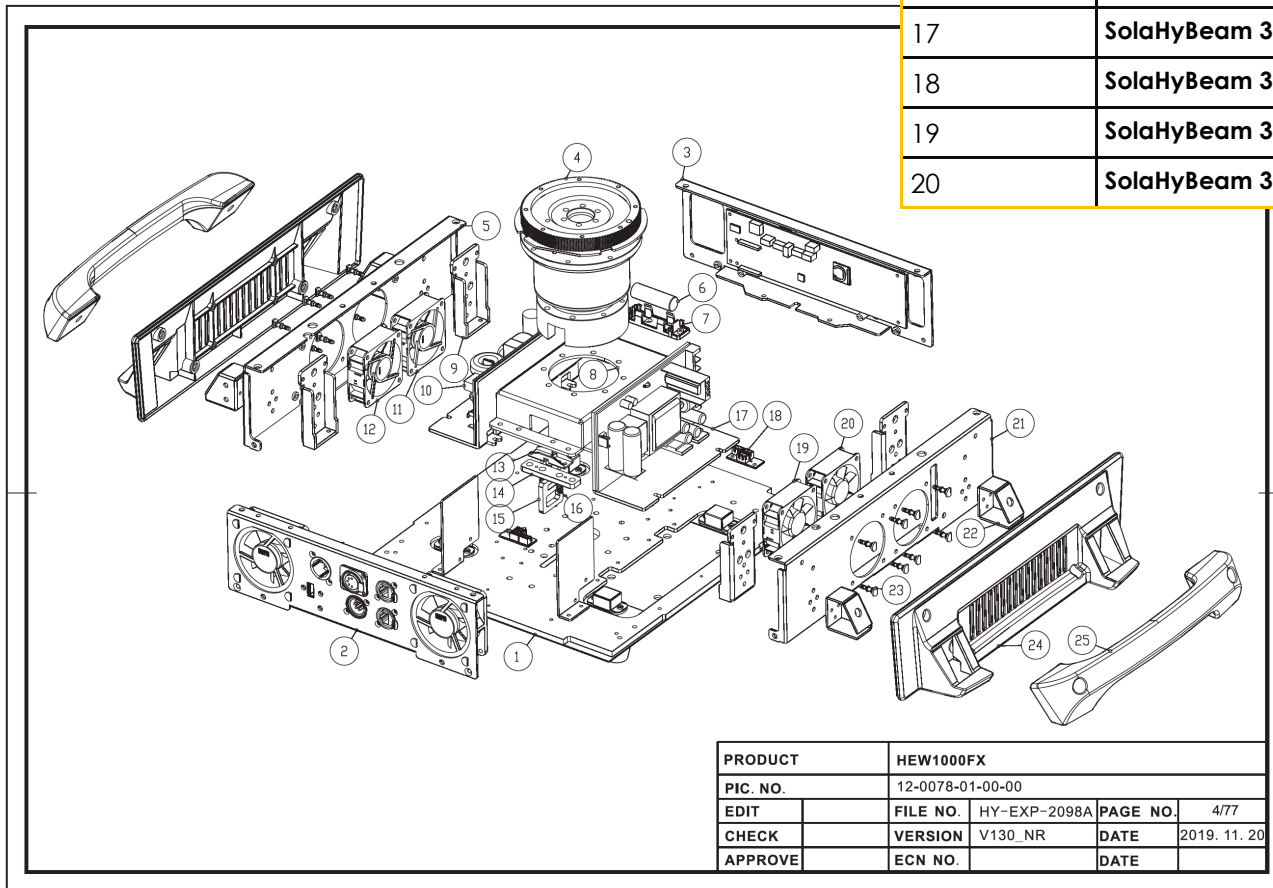
[Technical Data Sheet](#)

DMX Protocol

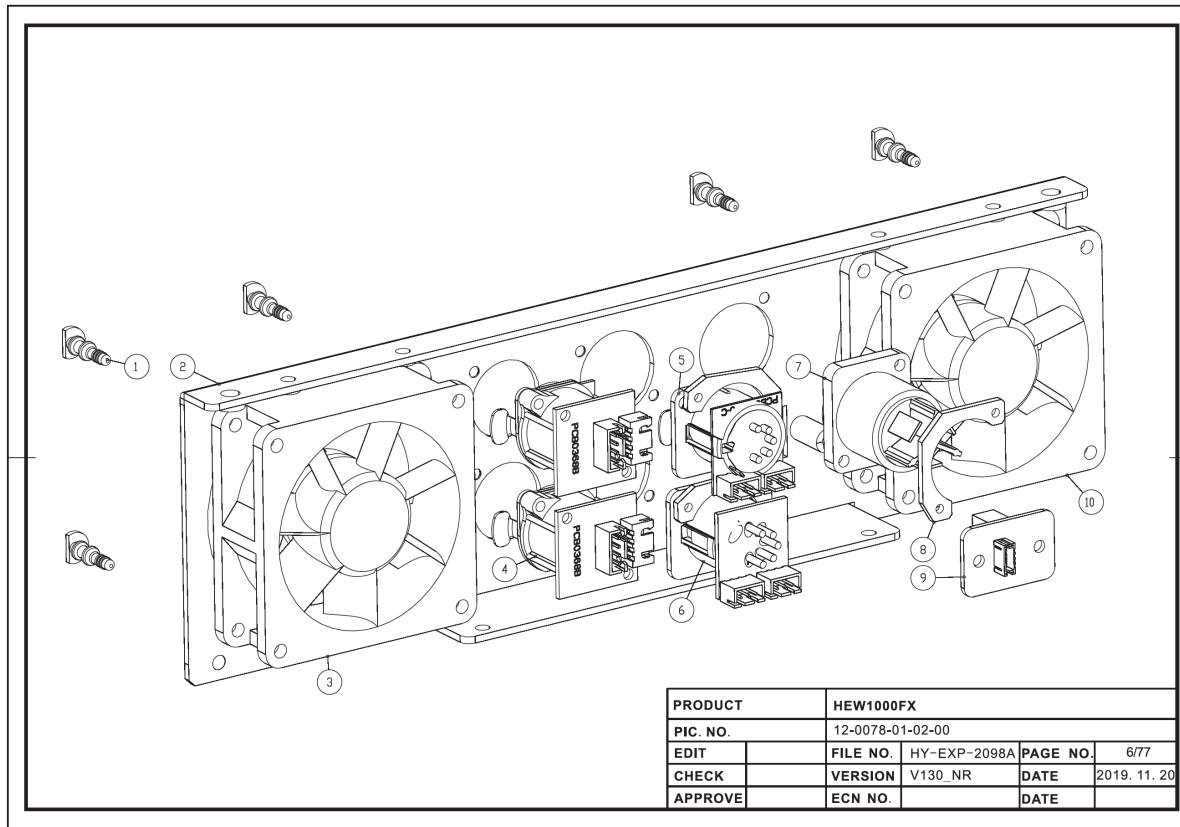
Reference Number	Fixture	HES Description	HES Part Number
1	SolaHyBeam 3000	Yoke Assembly	2581A2081
4	SolaHyBeam 3000	Cover Head	2581A4021
5	SolaHyBeam 3000	Cover Head Front	2581A4020
6	SolaHyBeam 3000	Cover Yoke Rear Left	2581A4019
7	SolaHyBeam 3000	Cover Yoke Arm	2581A4018
8	SolaHyBeam 3000	Cover Base	2581A4017
9	SolaHyBeam 3000	Truss Mount Bracket	H7150008
10	SolaHyBeam 3000	Cover Yoke Lock Side	2581A4016
11	SolaHyBeam 3000	Cover Yoke Front Left/Rear Right	2581A4015



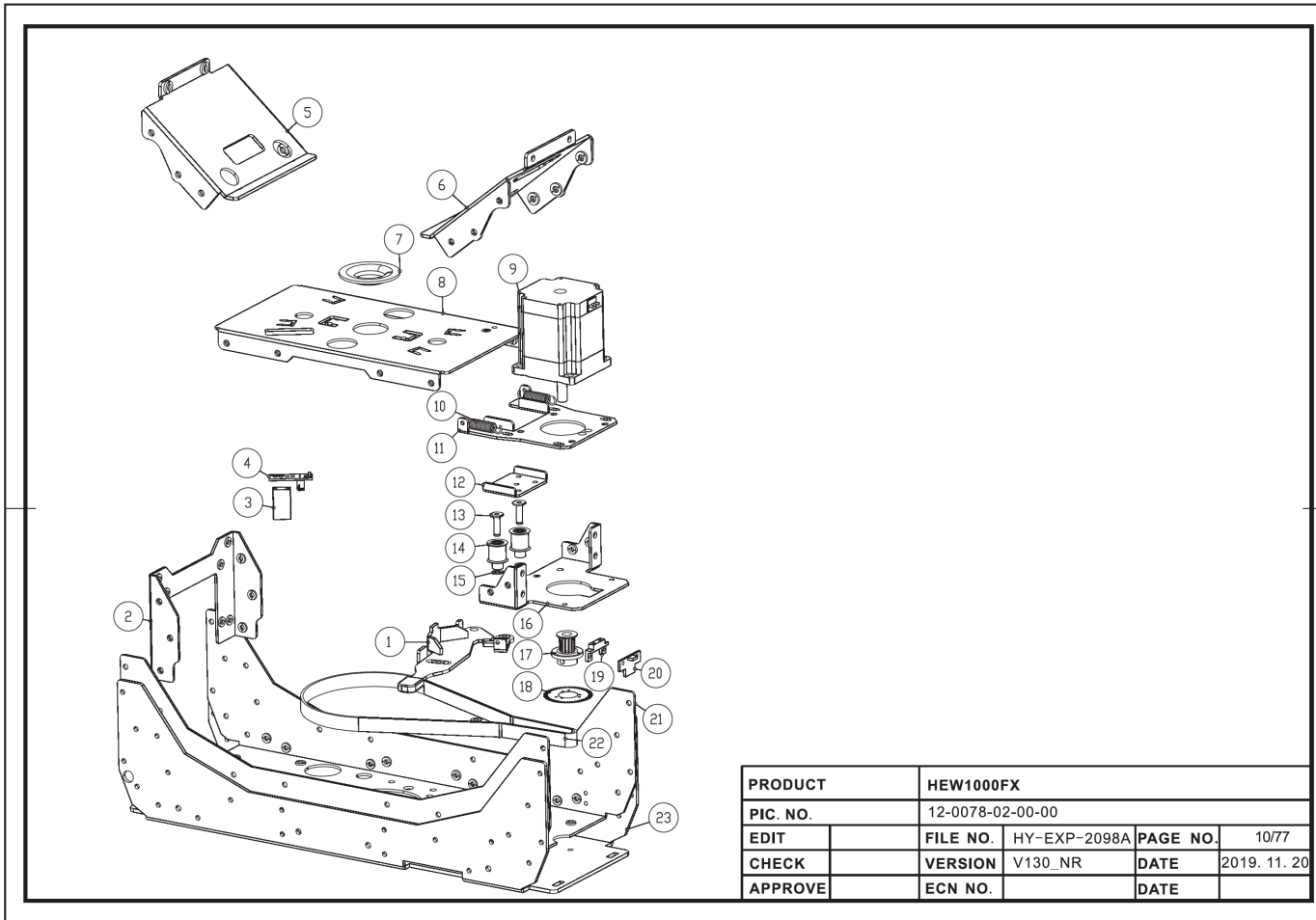
Reference Number	Fixture	HES Description	HES Part Number
2	SolaHyBeam 3000	Rear Panel Assembly	2581A2084
3	SolaHyBeam 3000	Display Assembly	2581A2083
6	SolaHyBeam 3000	Battery Display	BT180
10	SolaHyBeam 3000	Power Supply Input	PS515
11	SolaHyBeam 3000	Fan Base Right Side JB1	B1134
12	SolaHyBeam 3000	Fan Base Right Side JB2	B1135
17	SolaHyBeam 3000	Power Supply Output	PS514
18	SolaHyBeam 3000	PCB Fan Junction Base	2581B5039
19	SolaHyBeam 3000	Fan Base Left Side JB2	B1133
20	SolaHyBeam 3000	Fan Base Left Side JB1	B1132



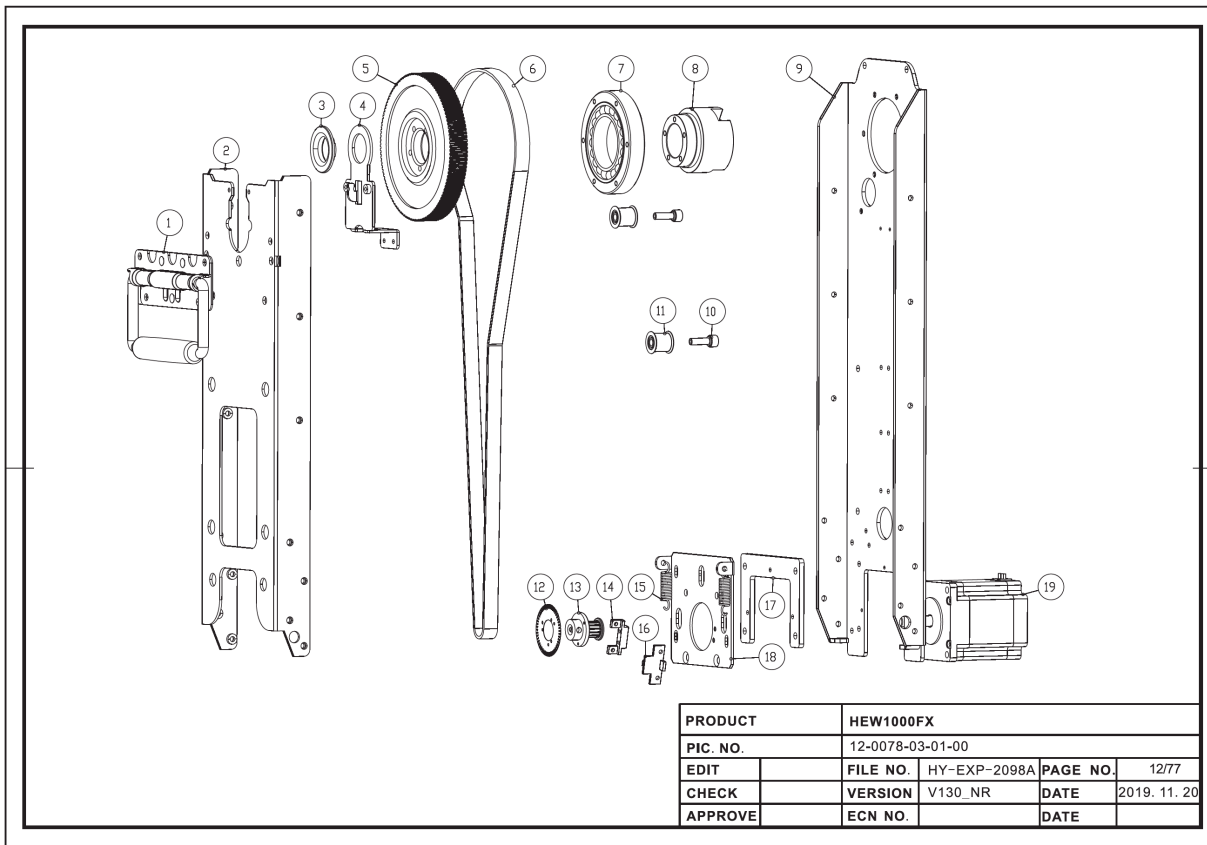
Reference Number	Fixture	HES Description	HES Part Number
3	SolaHyBeam 3000	Fan Rear Panel JB2	B1137
4	SolaHyBeam 3000	PCB Ethernet	2560B5020
5	SolaHyBeam 3000	XLR Female	H7180028
6	SolaHyBeam 3000	XLR Male	H7180029
9	SolaHyBeam 3000	PCB USB	2581B5015
10	SolaHyBeam 3000	Fan Rear Panel JB1	B1136



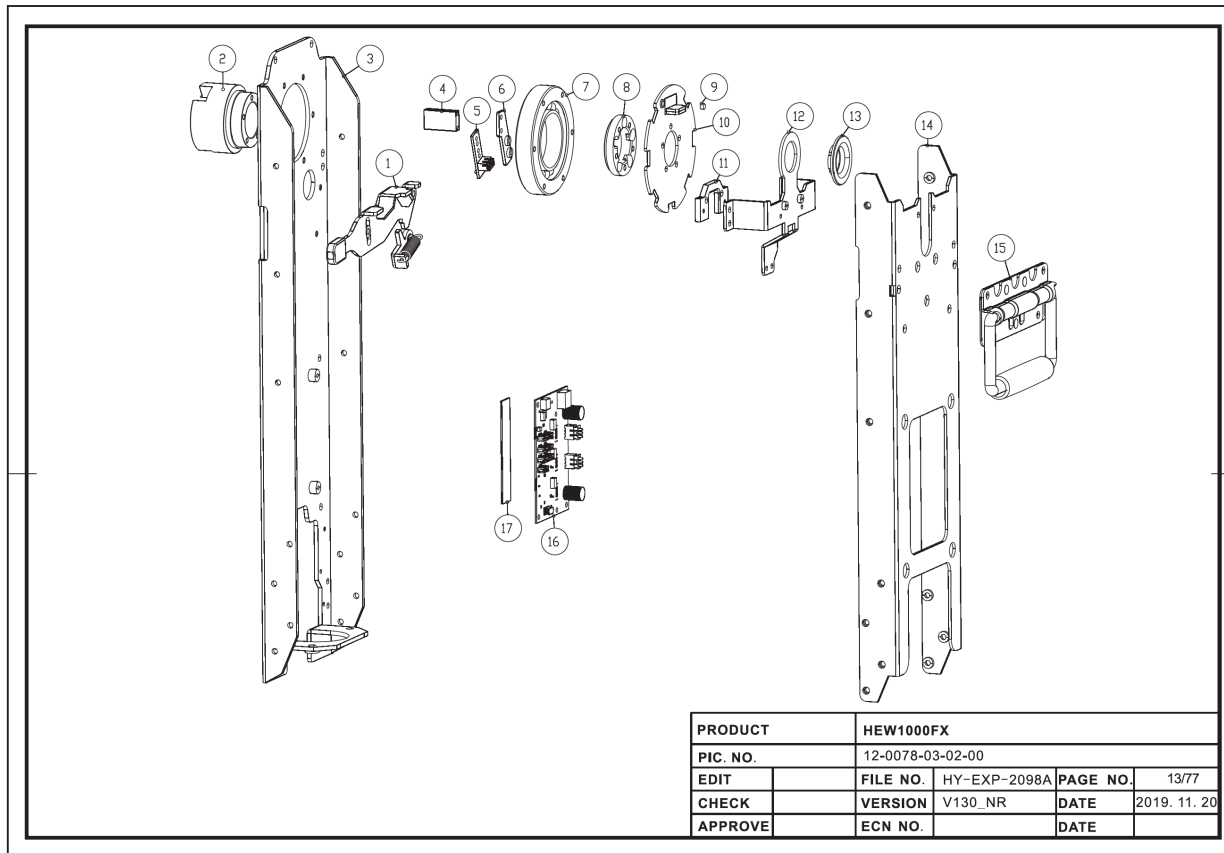
Reference Number	Fixture	HES Description	HES Part Number
1	SolaHyBeam 3000	Lock Pan	2581A3024
4	SolaHyBeam 3000	Sensor Pan Homing	2581B5040
9	SolaHyBeam 3000	Motor Pan	B2116
20	SolaHyBeam 3000	Pan Encoder Sensor	2594B5003
22	SolaHyBeam 3000	Belt Pan	HW9573



Reference Number	Fixture	HES Description	HES Part Number
6	SolaHyBeam 3000	Belt Tilt	HW9574
16	SolaHyBeam 3000	Sensor Encoder Tilt	2581B5065
19	SolaHyBeam 3000	Motor Tilt	B2105



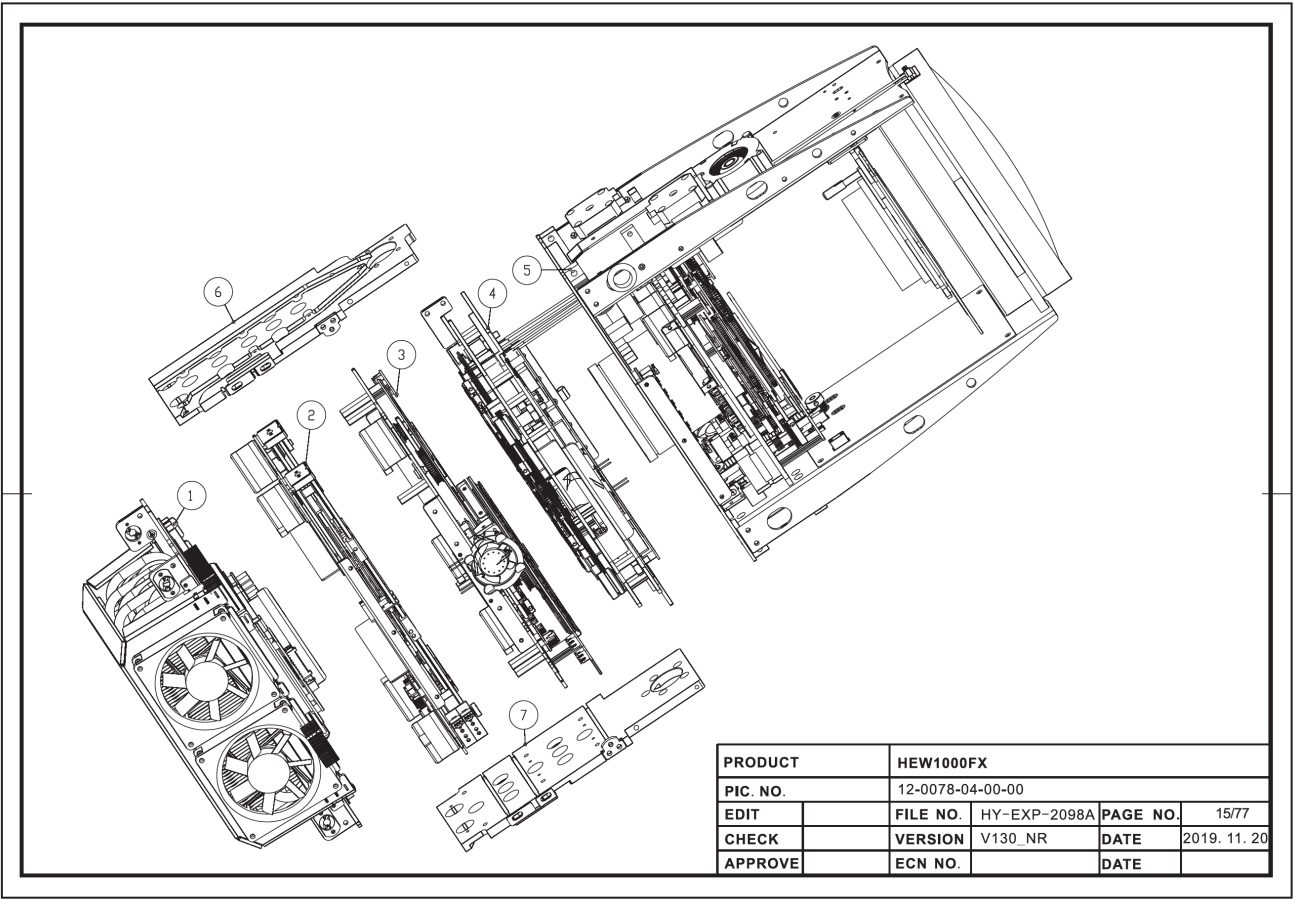
Reference Number	Fixture	HES Description	HES Part Number
1	SolaHyBeam 3000	Lock Tilt	2581A3025
5	SolaHyBeam 3000	Sensor Tilt Homing	2581B5041
16	SolaHyBeam 3000	PCB Pan/Tilt 2U	2581B5043



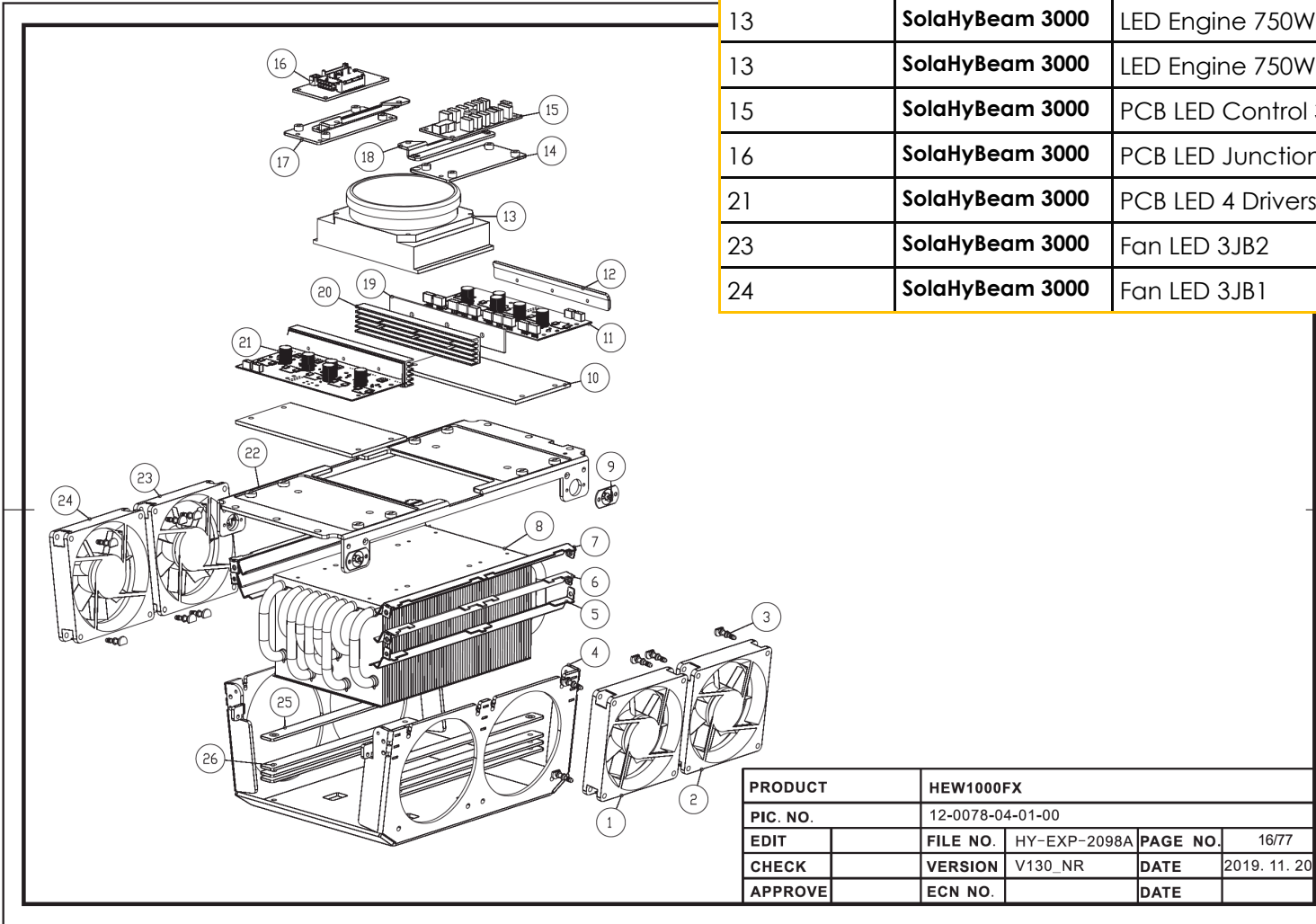
[Main Page](#)

Please contact HES service for any part numbers that are not listed

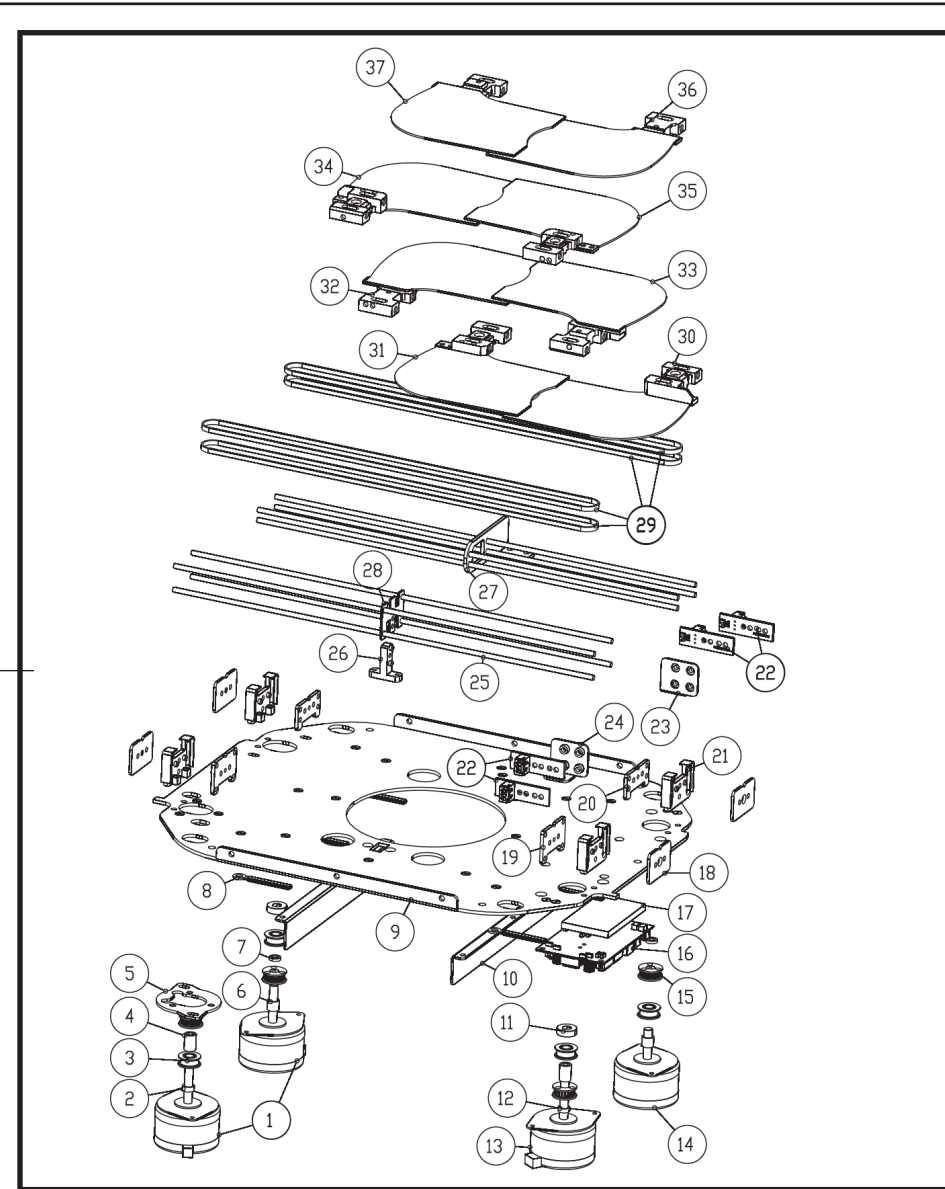
Reference Number	Fixture	HES Description	HES Part Number
2	SolaHyBeam 3000	Module Color Mix	2581A2090
3	SolaHyBeam 3000	Module Gobo	2581A2089
4	SolaHyBeam 3000	Module Framing	2581A2088
5	SolaHyBeam 3000	Module Zoom/Focus	2581A2087



Reference Number	Fixture	HES Description	HES Part Number
1	SolaHyBeam 3000	Fan LED 3JB3	B1140
2	SolaHyBeam 3000	Fan LED 3JB4	B1141
8	SolaHyBeam 3000	LED Heatsink	HS212
11	SolaHyBeam 3000	PCB LED 5 Drivers	2581B5047
13	SolaHyBeam 3000	LED Engine 750W Ultra Bright	2581B2004
13	SolaHyBeam 3000	LED Engine 750W High Fidelity	2581B2003
15	SolaHyBeam 3000	PCB LED Control 3U	2581B5046
16	SolaHyBeam 3000	PCB LED Junction Head	2581B5045
21	SolaHyBeam 3000	PCB LED 4 Drivers	2581B5044
23	SolaHyBeam 3000	Fan LED 3JB2	B1139
24	SolaHyBeam 3000	Fan LED 3JB1	B1138



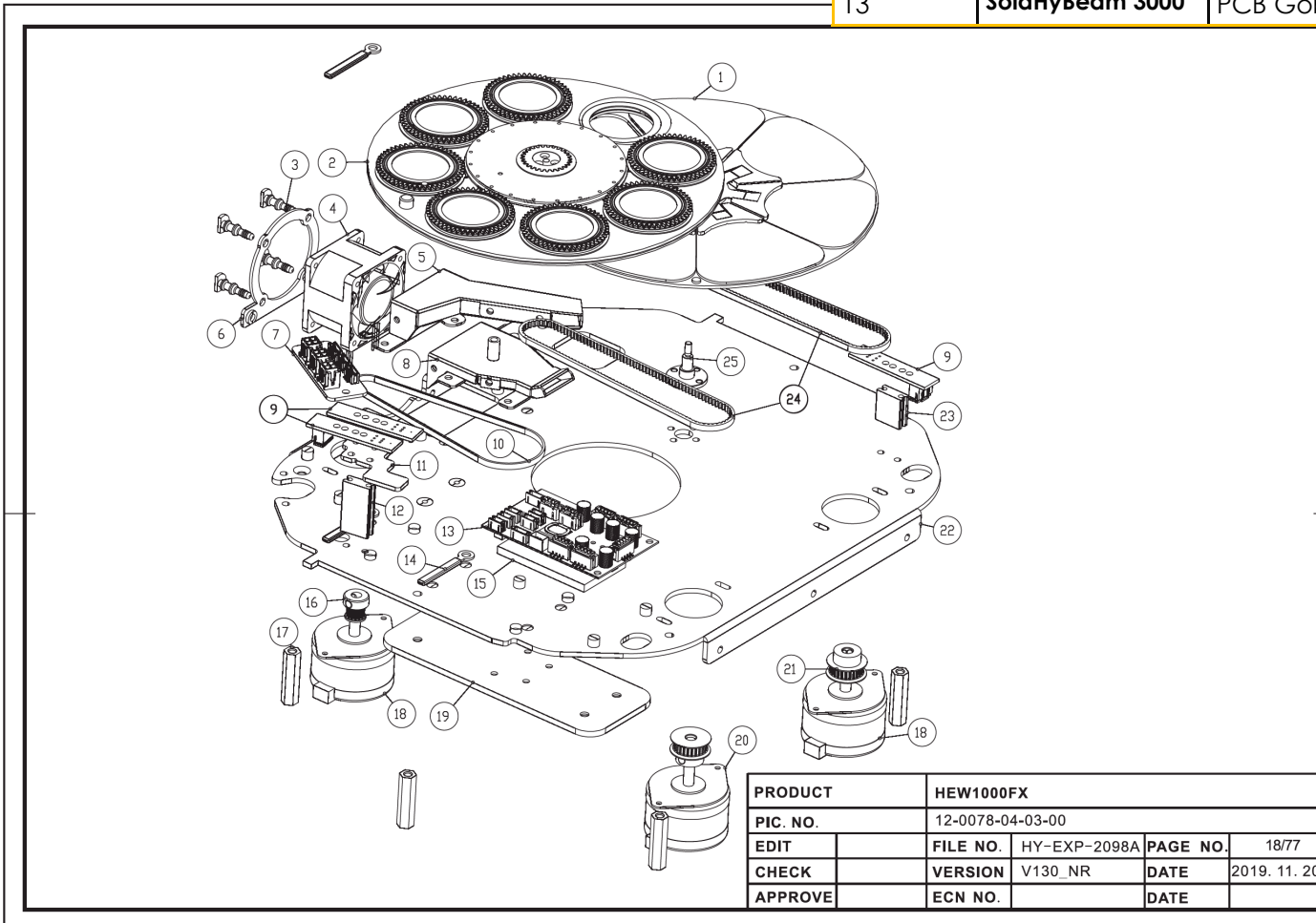
PRODUCT		HEW1000FX		
PIC. NO.		12-0078-04-01-00		
EDIT	FILE NO.	HY-EXP-2098A	PAGE NO.	16/77
CHECK	VERSION	V130_NR	DATE	2019. 11. 20
APPROVE	ECN NO.		DATE	



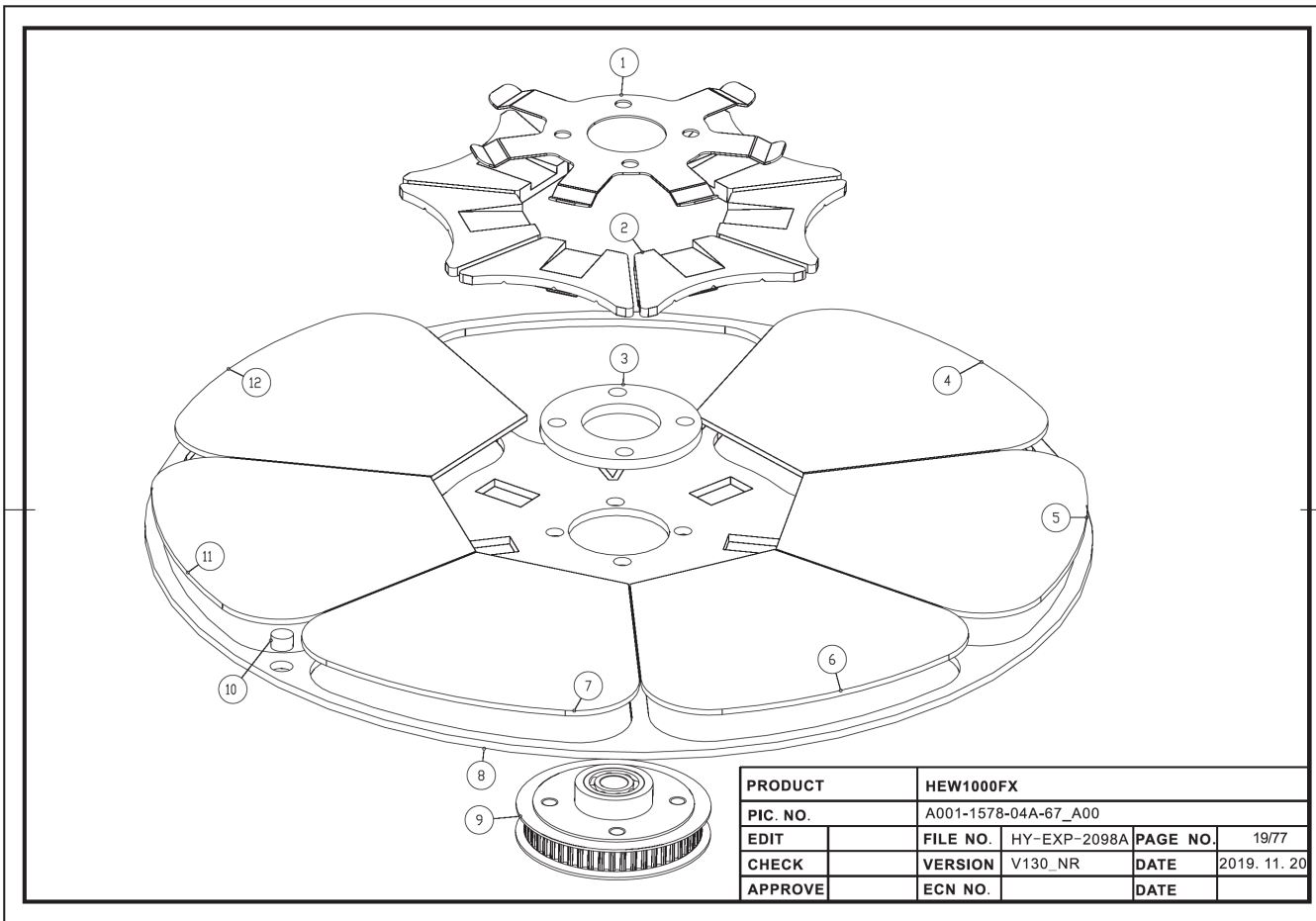
Ref. No.	HES Description	HES Part Number
16	PCB Color Mix	2581B5049
22	Sensor Color Mix	2581B5048
30	Flag Assembly Magenta Bottom with magnet	2581A2111
31	Flag Assembly Magenta Top	2581A2110
32	Flag Assembly Cyan Bottom	2581A2109
33	Flag Assembly Cyan Top with magnet	2581A2108
34	Flag Assembly Yellow Bottom	2581A2107
35	Flag Assembly Yellow Top with magnet	2581A2106
36	Flag Assembly CTO Bottom with magnet	2581A2105
37	Flag Assembly CTO Top	2581A2104

PRODUCT		HEW1000FX			
PIC. NO.		12-0078-04-02-00			
EDIT		FILE NO.	HY-EXP-2098A	PAGE NO.	17/77
CHECK		VERSION	V130_NR	DATE	2019. 11. 20
APPROVE		ECN NO.		DATE	

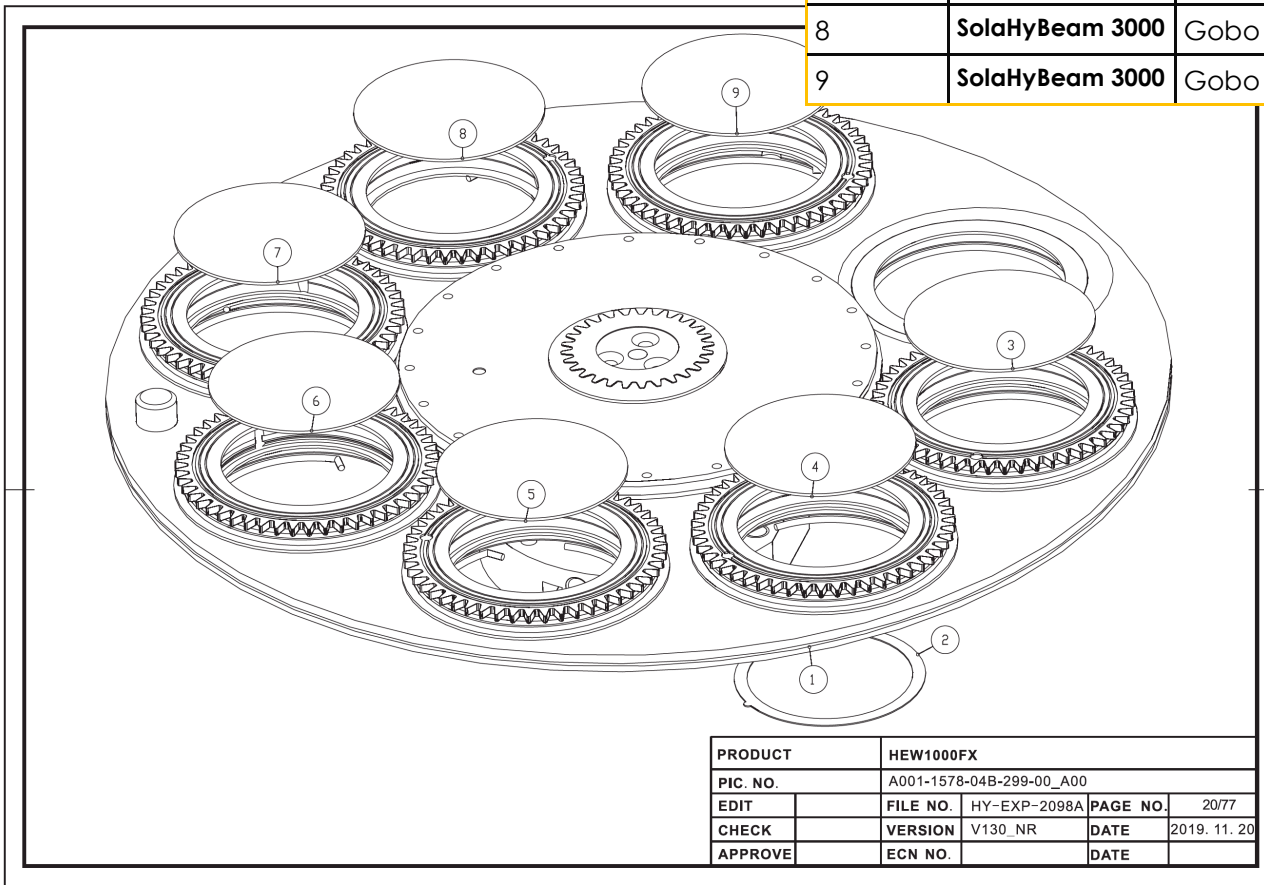
Reference Number	Fixture	HES Description	HES Part Number
1	SolaHyBeam 3000	Wheel Color	2581A2092
2	SolaHyBeam 3000	Wheel Gobo	2581A2091
4	SolaHyBeam 3000	Fan Gobo Module	B1142
7	SolaHyBeam 3000	PCB Junction Gobo Module	2581B5066
9	SolaHyBeam 3000	Sensor Gobo Wheel	2581B5051
13	SolaHyBeam 3000	PCB Gobo/ Color Wheel	2581B5050



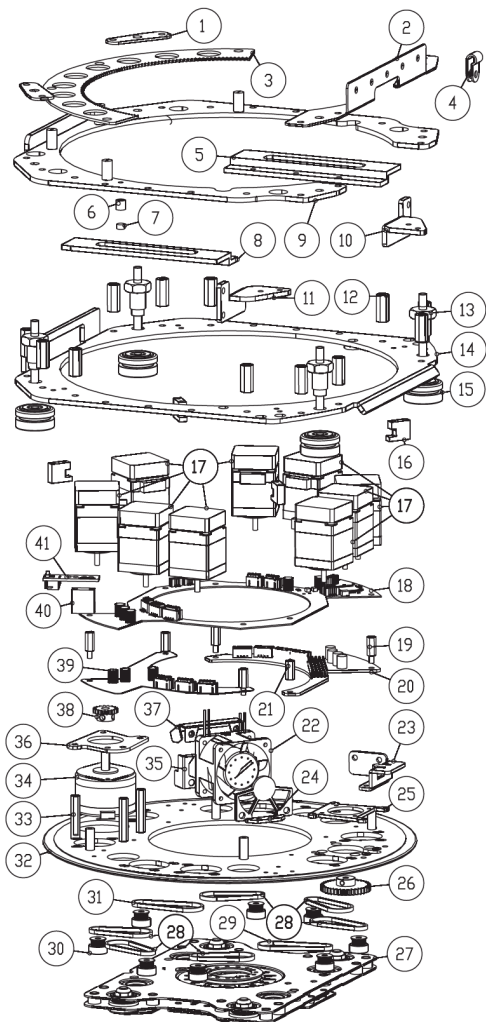
Reference Number	Fixture	HES Description	HES Part Number
4	SolaHyBeam 3000	Color Wedge Red	2581A2117
5	SolaHyBeam 3000	Color Wedge Blue	2581A2116
6	SolaHyBeam 3000	Color Wedge Green	2581A2115
7	SolaHyBeam 3000	Color Wedge TM-30	2581A2114
11	SolaHyBeam 3000	Color Wedge Orange	2581A2113
12	SolaHyBeam 3000	Color Wedge Dark Blue	2581A2112



Reference Number	Fixture	HES Description	HES Part Number
1	SolaHyBeam 3000	Gobo Wheel Assembly without gobos	2581A2118
2	SolaHyBeam 3000	Gobo Aperture Ring	2581A3033
3	SolaHyBeam 3000	Gobo Bar	2581A4025
4	SolaHyBeam 3000	Gobo Starvolver	2581A4024
5	SolaHyBeam 3000	Gobo Pinwheel Dots	2581A2006
6	SolaHyBeam 3000	Gobo Tunnel	2581A4023
7	SolaHyBeam 3000	Gobo Seashell	2581A2005
8	SolaHyBeam 3000	Gobo Crescents	2581A2003
9	SolaHyBeam 3000	Gobo Shower	2581A4022



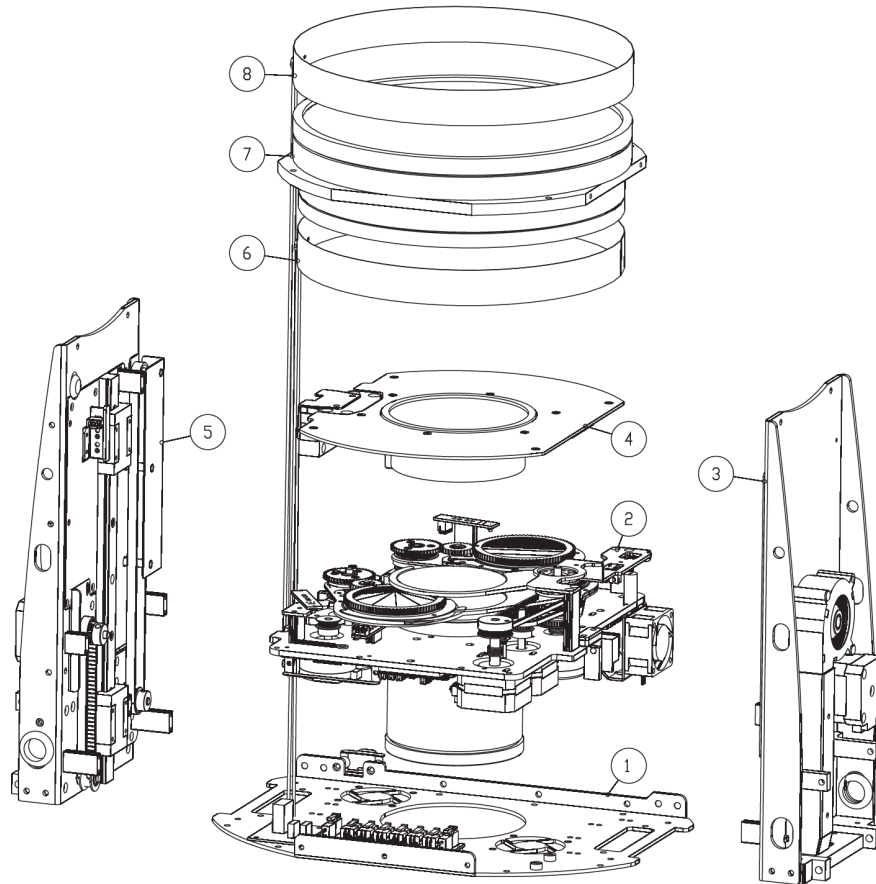
PRODUCT	HEW1000FX			
PIC. NO.	A001-1578-04B-299-00_A00			
EDIT	FILE NO.	HY-EXP-2098A	PAGE NO.	20/77
CHECK	VERSION	V130_NR	DATE	2019. 11. 20
APPROVE	ECN NO.		DATE	



Reference Number	Fixture	HES Description	HES Part Number
17	SolaHyBeam 3000	Motor Framing Iris	B2109
18	SolaHyBeam 3000	PCB Framing Module Blades 2A/3B	2581B5020
20	SolaHyBeam 3000	PCB Framing Module Blades 1A/3A/4A	2581B5021
22	SolaHyBeam 3000	Fan Framing Module	B1143
27	SolaHyBeam 3000	Framing/Iris Assembly	2581A2093
28	SolaHyBeam 3000	Belt B47 MXL	HW9580
29	SolaHyBeam 3000	Belt 53 MXL 2.5mm	HW9535
31	SolaHyBeam 3000	Belt 51 MXL 2.5mm	HW9536
39	SolaHyBeam 3000	PCB Framing Module Blades 1B/2B/4B	2581B5067

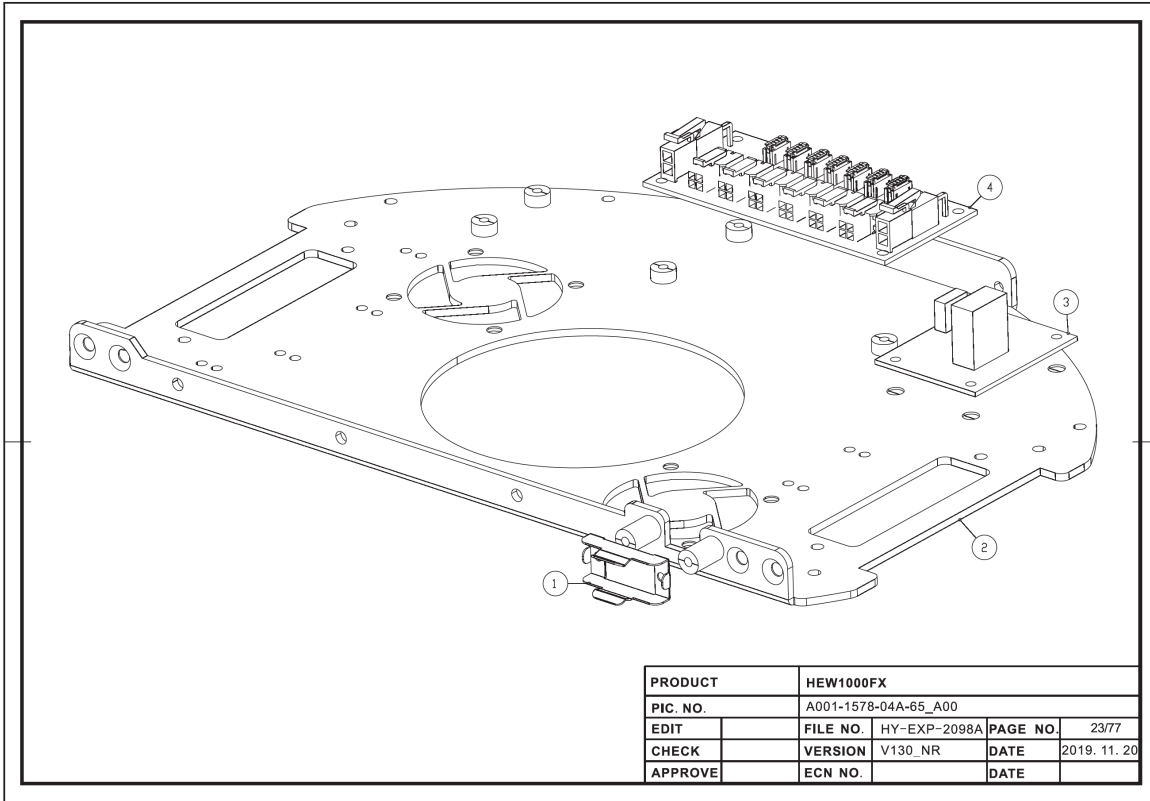
PRODUCT		HEW1000FX			
PIC. NO.		12-0078-04-04-00			
EDIT		FILE NO.	HY-EXP-2098A	PAGE NO.	21/77
CHECK		VERSION	V130_NR	DATE	2019. 11. 20
APPROVE		ECN NO.		DATE	

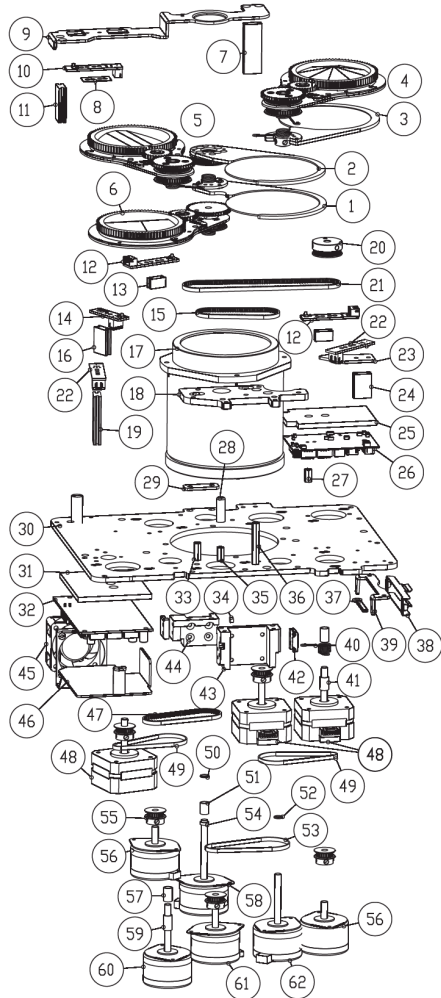
Reference Number	Fixture	HES Description	HES Part Number
6,7,8	SolaHyBeam 3000	Output Lens Assembly	2581A2096



PRODUCT		HEW1000FX		
PIC. NO.		12-0078-04-05-00		
EDIT	FILE NO.	HY-EXP-2098A	PAGE NO.	22/77
CHECK	VERSION	V130_NR	DATE	2019. 11. 20
APPROVE	ECN NO.		DATE	

Reference Number	Fixture	HES Description	HES Part Number
1	SolaHyBeam 3000	PCB Junction Zoom/Focus Module	2581B5055
3	SolaHyBeam 3000	PCB Lens Defogger	2581B5056

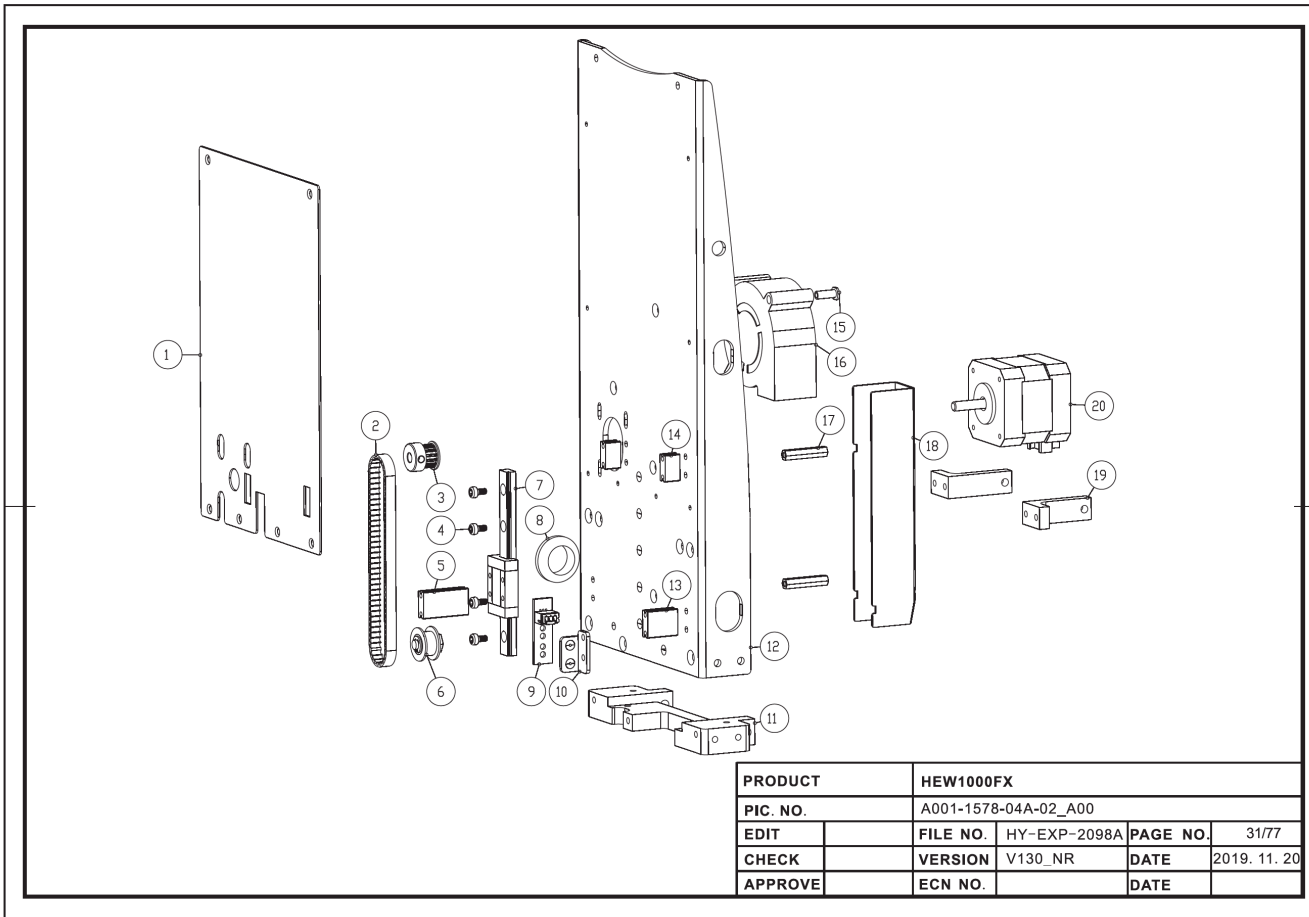




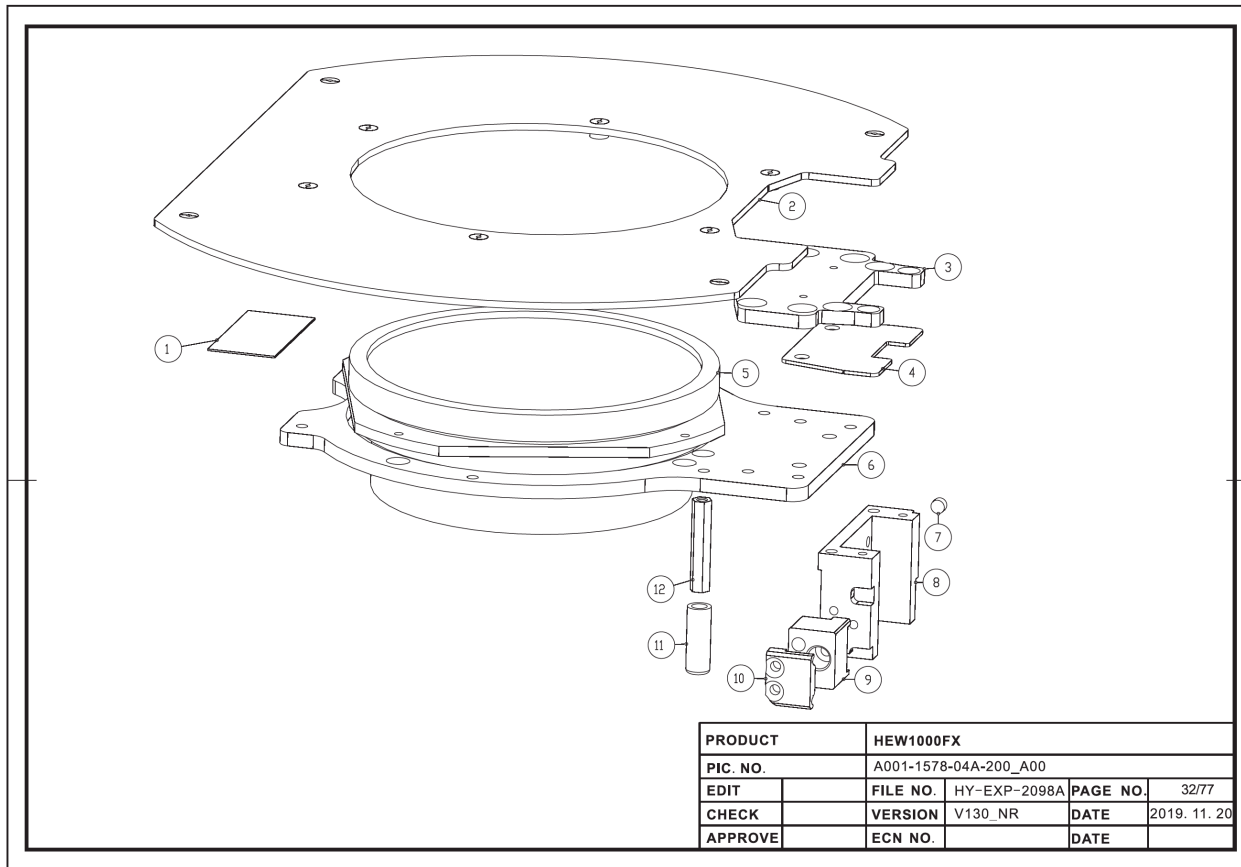
Reference Number	Fixture	HES Description	HES Part Number
1	SolaHyBeam 3000	Frost Assembly Light	2581A2100
2	SolaHyBeam 3000	Frost Assembly Medium	2581A2101
3	SolaHyBeam 3000	Frost Assembly Heavy	2581A2102
4	SolaHyBeam 3000	Prism 8 Facet	2581A2099
5	SolaHyBeam 3000	Prism 4 Facet	2581A2097
6	SolaHyBeam 3000	Prism 3 Facet	2581A2098
10	SolaHyBeam 3000	Sensor 3 Facet Rotate	2581B5064
12	SolaHyBeam 3000	Sensor 3/8 Facet Actuate	2581B5063
14	SolaHyBeam 3000	Sensor Focus	2581B5057
17	SolaHyBeam 3000	Lens Focus	OP2126
22	SolaHyBeam 3000	Sensor 4, 8 Facet Rotate	2581B5061
26	SolaHyBeam 3000	PCB Prism Rotate 8U	2581B5060
32	SolaHyBeam 3000	PCB Focus/Zoom/Frost/Prism Actuate 5U	2581B5059
45	SolaHyBeam 3000	Fan Focus/Zoom Module	B1145

PRODUCT		HEW1000FX			
PIC. NO.		A001-1578-04A-04_A00			
EDIT		FILE NO.	HY-EXP-2098A	PAGE NO.	24/77
CHECK		VERSION	V130_NR	DATE	2019. 11. 20
APPROVE		ECN NO.		DATE	

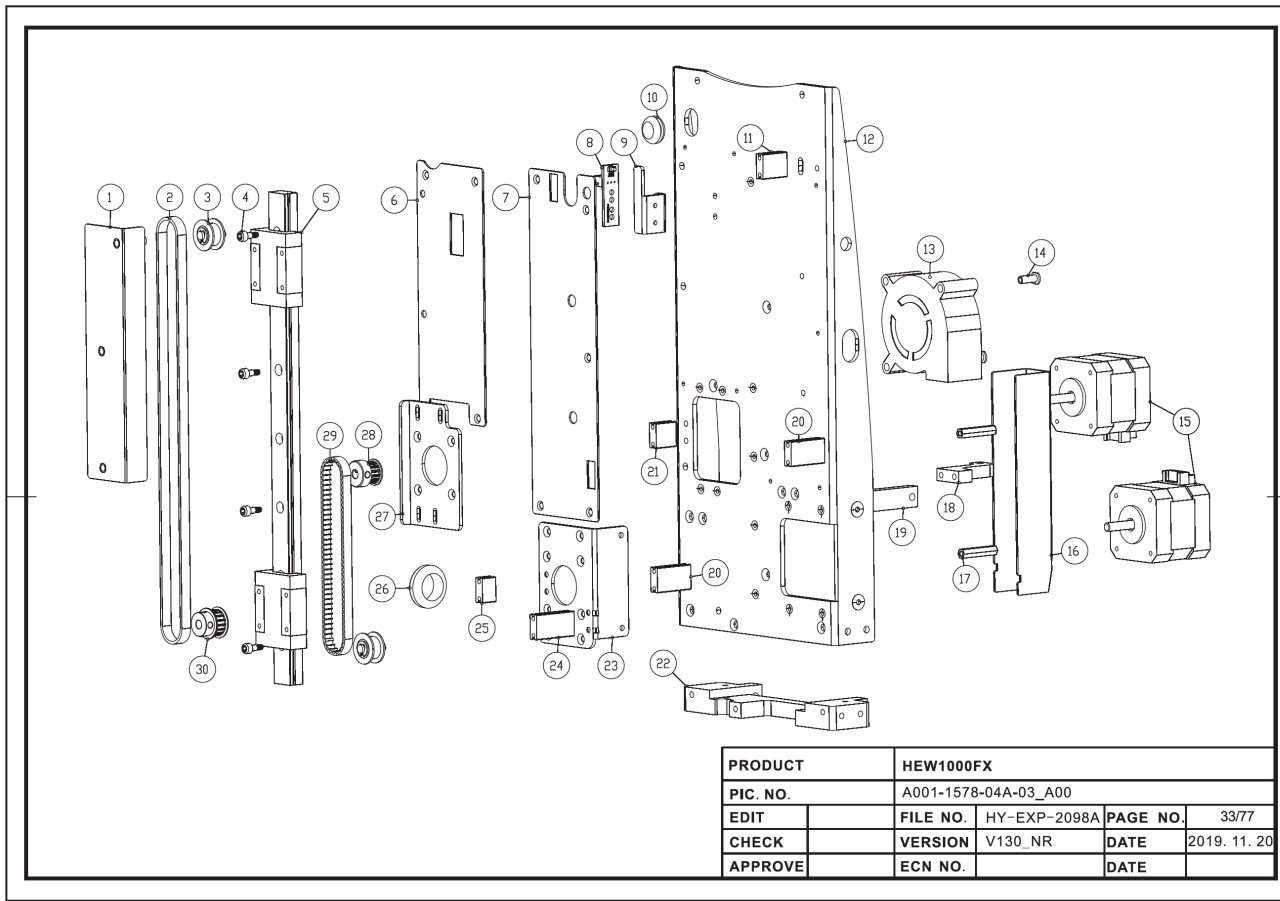
Reference Number	Fixture	HES Description	HES Part Number
1	SolaHyBeam 3000	Sensor Zoom	2581B5058
16	SolaHyBeam 3000	Fan Zoom Module	B1144
20	SolaHyBeam 3000	Motor Focus/Zoom	B2110



Reference Number	Fixture	HES Description	HES Part Number
5	SolaHyBeam 3000	Lens Zoom	OP2125



Reference Number	Fixture	HES Description	HES Part Number
8	SolaHyBeam 3000	Sensor Zoom/Focus	2581B5057
13	SolaHyBeam 3000	Fan Zoom Module	B1144
15	SolaHyBeam 3000	Motor Focus/Zoom	B2110











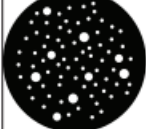
SolaHyBeam 3000 PCB Identifiers

PCB Software ID	Controls
1U	Display
2U	Pan/Tilt
3U	LED Control, Fan
4U	CTO, CMY
5U	Zoom/Frost/Prism
6U	Framing/Framing Rotate/Iris
7U	Color 1, Gobo 1, Gobo 1 Rotate
8U	Prism Rotate

SolaHyBeam 3000 Miscellaneous Parts

Rotating Gobo Details

Outside Diameter	30 mm (1.18 in)
Image Diameter	25 mm (0.98 in)
Materials	0.5 mm aluminum 1.1 mm glass Borofloat®

	1 - Bar
	2 - Starvolver
	3 - Pinwheel Dots
	4 - Tunnel
	5 - Seashell
	6 - Crescents
	7 - Shower

HES Part Number
2581A4025
2581A4024
2581A2006
2581A4023
2581A2005
2581A2003
2581A4022

Gobo Holder	HES Part Number
With Magnet	
Without Magnet	

***Seashell gobo contains homing magnet and must be placed back in same position in order to Home properly.*









Accessories

Model	Description
2560B7004	Fixture Power Cord upgrade, 5-20 Edison to powerCON TRUE1, 20A
2560B7005	Fixture Power Cord upgrade, Stage Pin to powerCON TRUE1, 20A
2560B7006	Fixture Power Cord upgrade, L6-20 to powerCON TRUE1, 20A
2560B7007	Fixture Power Cord upgrade, L5-20 to powerCON TRUE1, 20A
67040007	MegaClaw™
55040014	Cheeseborough 2" Alloy 1/2 Coupler Truss Clamp
67040010	Mini-Claw™

Color Wheel Detail

Shape	Interchangeable wedge
Materials	1.1 mm Glass Borofloat

	1 - Red
	2 - Blue
	3 - Green
	4 - TM-30
	5 - Orange
	6 - Dark Blue