



# HIGH END SYSTEMS

an ETC. Company

## SolaPix 37



Part Number	Fixture Name	Color	Packaging
2596A1200-B S	<b>SolaPix 37</b>	Black	Molded Insert
2596K1001	<b>SolaPix 37</b>	Black	Roadcase for SolaPix 37 (fits up to two (2) SolaPix 37)

[Fixture Accessories](#)

[PCB Information](#)

[Fixture Drawings](#)

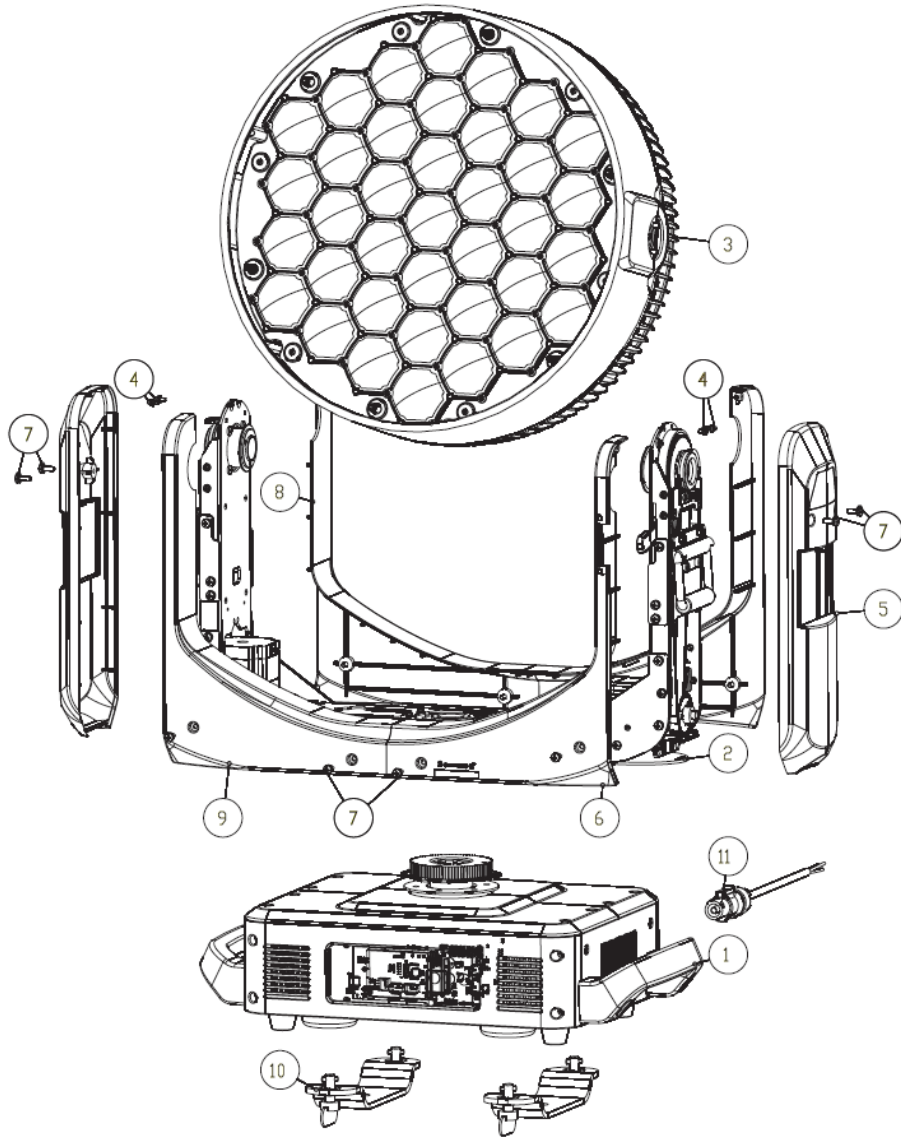
[HES Main Parts List](#)

[Recommended Spares List](#)

[User Manual](#)

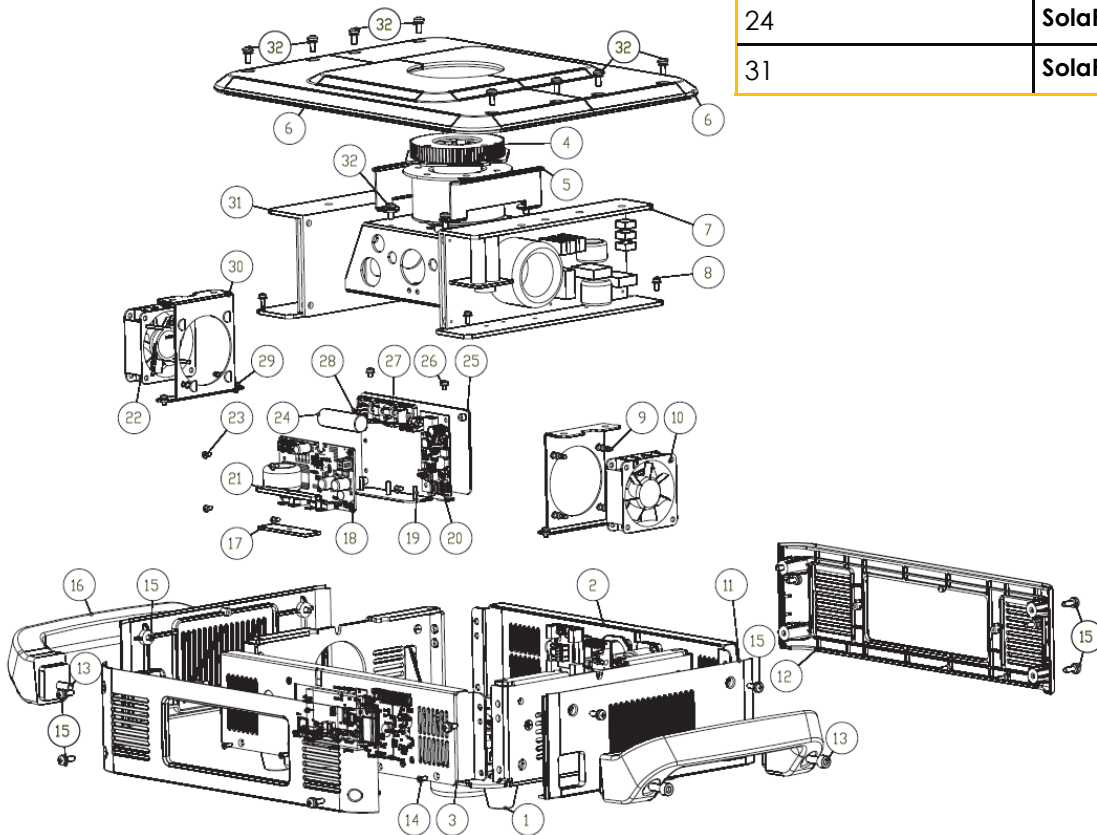
[Technical Data Sheet](#)

[DMX Protocol](#)

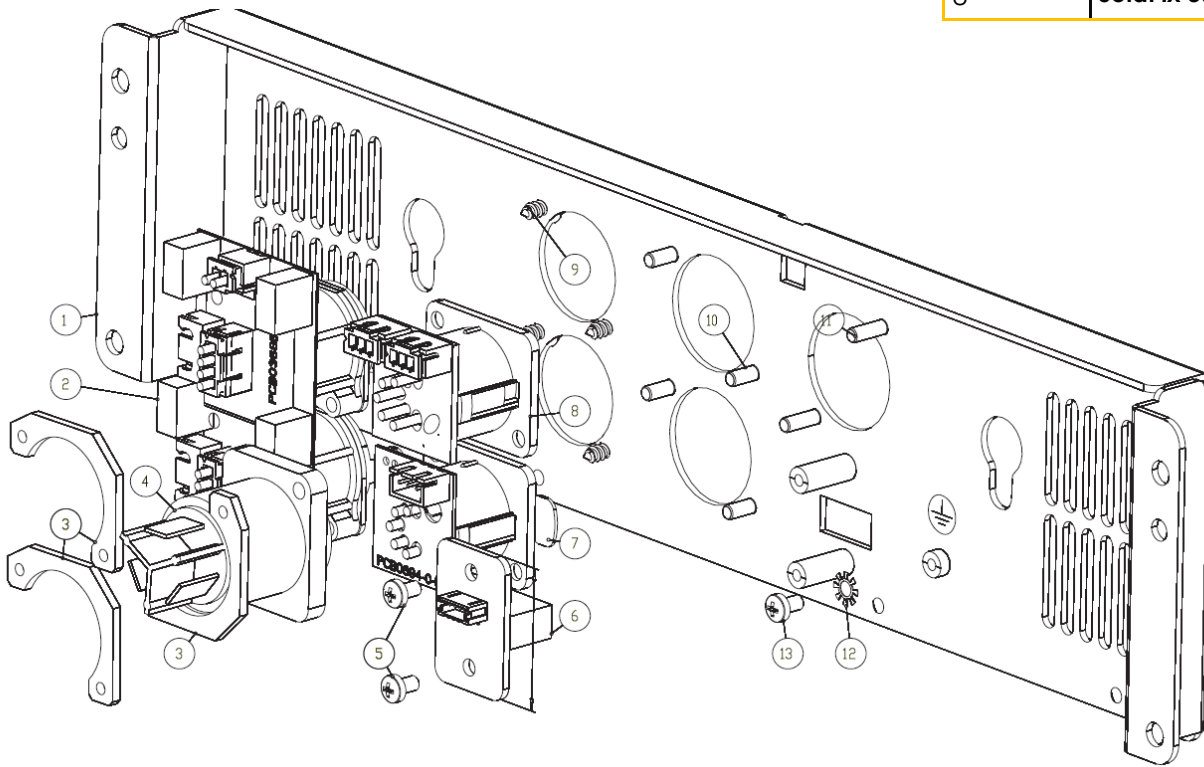


Reference Number	Fixture	HES Description	HES Part Number
5	SolaPix 37	Cover Yoke Arm	2596A4007
6	SolaPix 37	Cover Yoke Front Right	2596A4006
8	SolaPix 37	Cover Yoke Rear Left	2596A4005
9	SolaPix 37	Cover Yoke Front Left/Rear Right	2596A4004
10	SolaPix 37	Truss Mount Bracket	H7150008
11	SolaPix 37	Power Cord Assembly Tru 1	H7000017

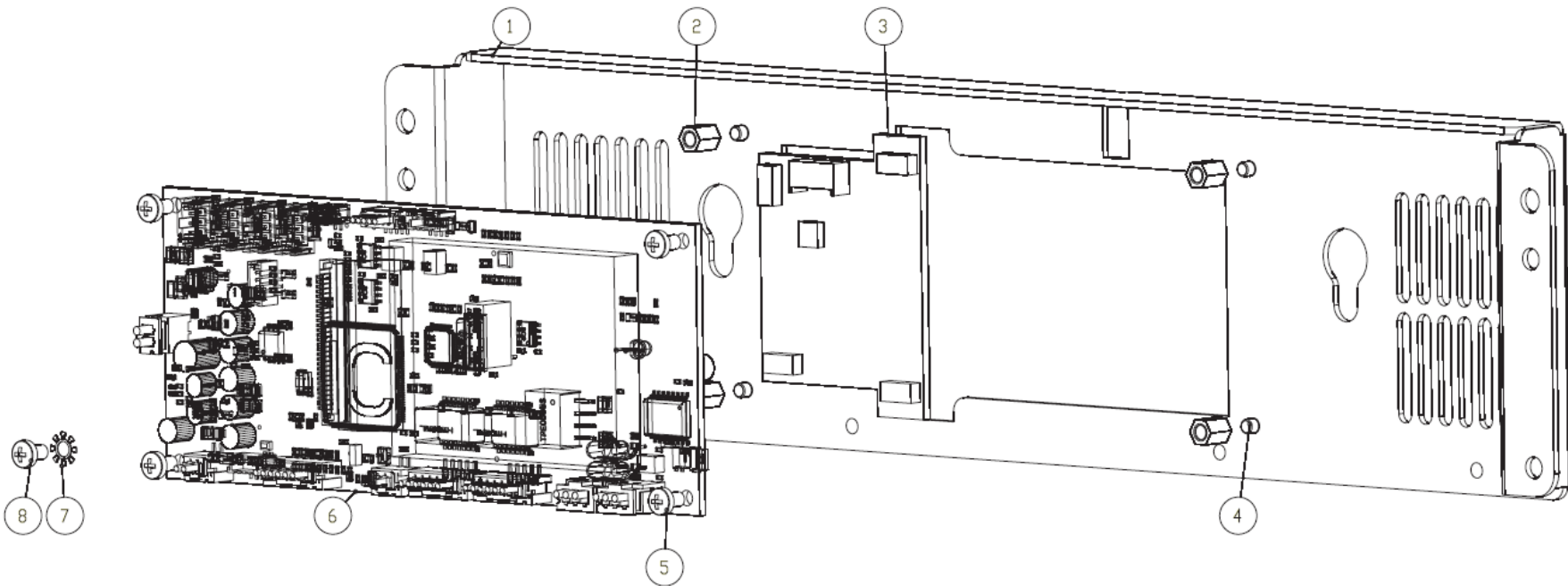
Reference Number	Fixture	HES Description	HES Part Number
6	SolaPix 37	Cover Base Lid	2596A4010
7	SolaPix 37	Power Supply Input	PS523
10	SolaPix 37	Fan Base Right	B1150
12	SolaPix 37	Cover Base Front/Rear	2596A4008
18	SolaPix 37	PCB Voltage Reduced Plate 1	2596B5613
20	SolaPix 37	PCB Voltage Reduced Plate 2	2596B5612
22	SolaPix 37	Fan Base Left	B1149
24	SolaPix 37	Battery Assembly	BT181
31	SolaPix 37	Power Supply Output	PS522



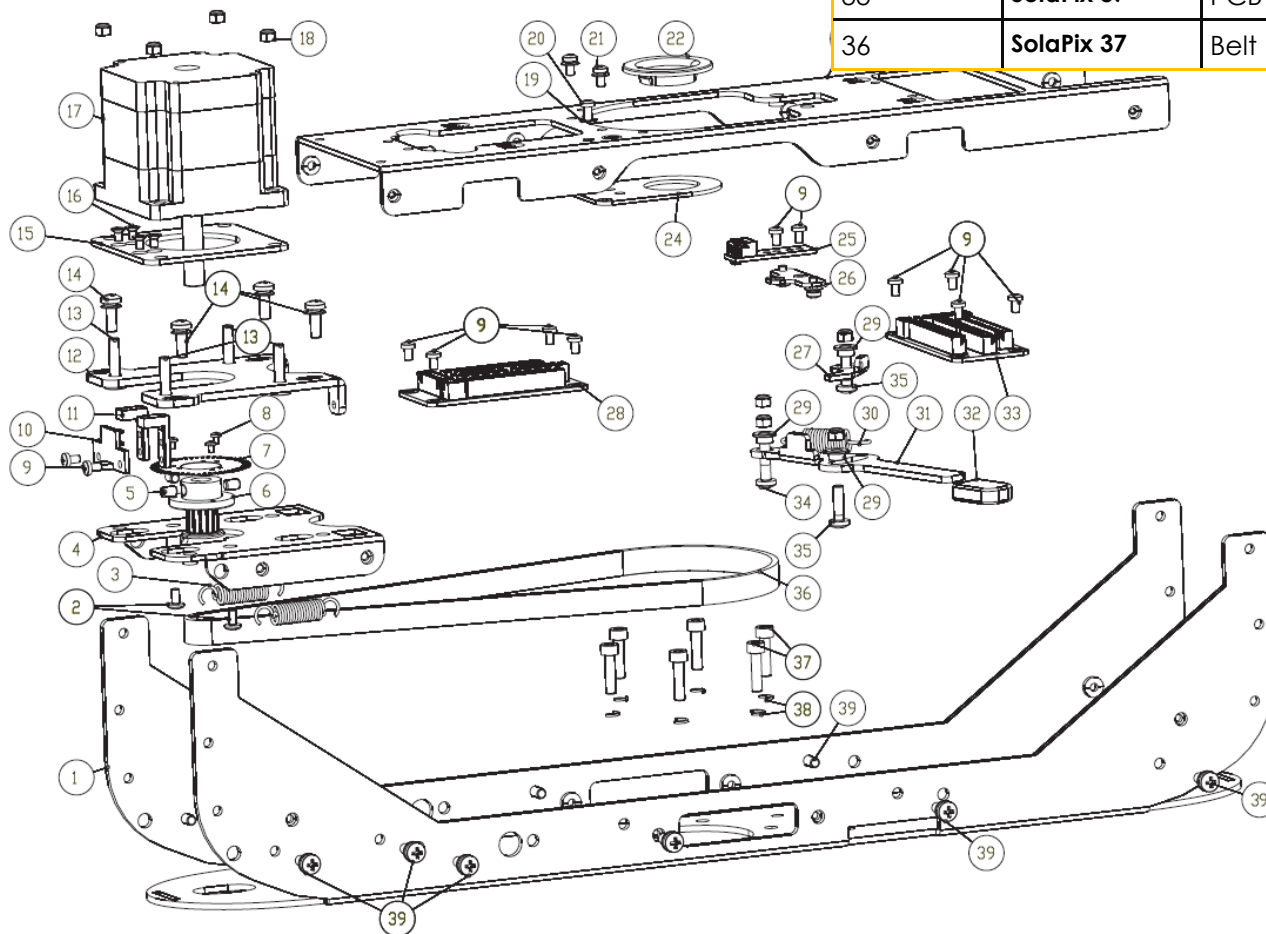
Reference Number	Fixture	HES Description	HES Part Number
2	SolaPix 37	PCB Ethernet	2594B5001
4	SolaPix 37	Socket Power	J2539
6	SolaPix 37	PCB USB	2581B5015
7	SolaPix 37	PCB XLR Female	J1642
8	SolaPix 37	PCB XLR Male	H7280021



Reference Number	Fixture	HES Description	HES Part Number
3	SolaPix 37	PCB Button	2581B2024
6	SolaPix 37	PCB Display 1U	2596B5611



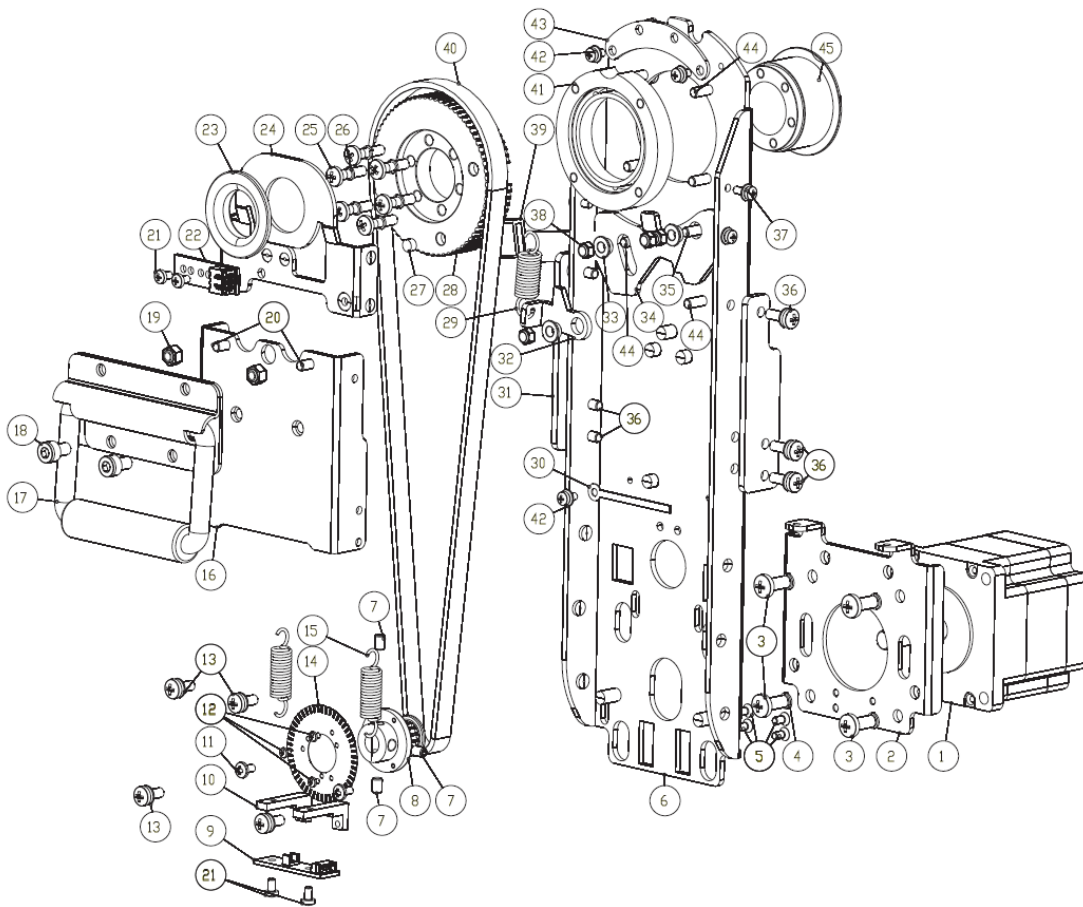
Reference Number	Fixture	HES Description	HES Part Number
10	SolaPix 37	Sensor Pan Encoder	2596B5601
17	SolaPix 37	Motor Pan	B2126
25	SolaPix 37	Sensor Pan	2596B5600
28	SolaPix 37	PCB Junction Yoke 8	2596B5606
31	SolaPix 37	Lock Pan	2595A3005
32	SolaPix 37	Rubber Sleeve Pan/Tilt Lock	HW6948
33	SolaPix 37	PCB Junction Yoke 7	2596B5605
36	SolaPix 37	Belt Pan	HW9590



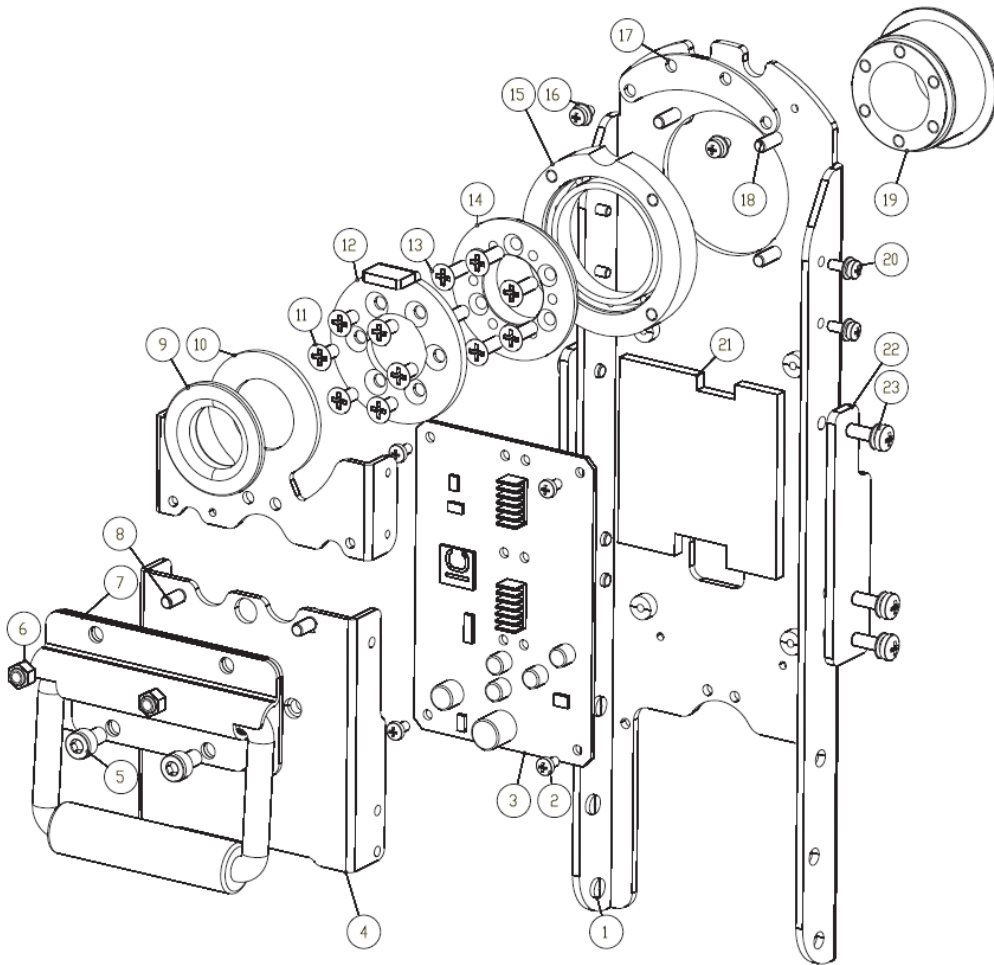
[Main Page](#)

Please contact HES service for any part

Reference Number	Fixture	HES Description	HES Part Number
1	SolaPix 37	Motor Tilt	B2127
9	SolaPix 37	Sensor Tilt Encoder	2596B5603
22	SolaPix 37	Sensor Pan/Tilt Homing	2560B5016
34	SolaPix 37	Lock Tilt	2595A3007
40	SolaPix 37	Belt Tilt	HW9591



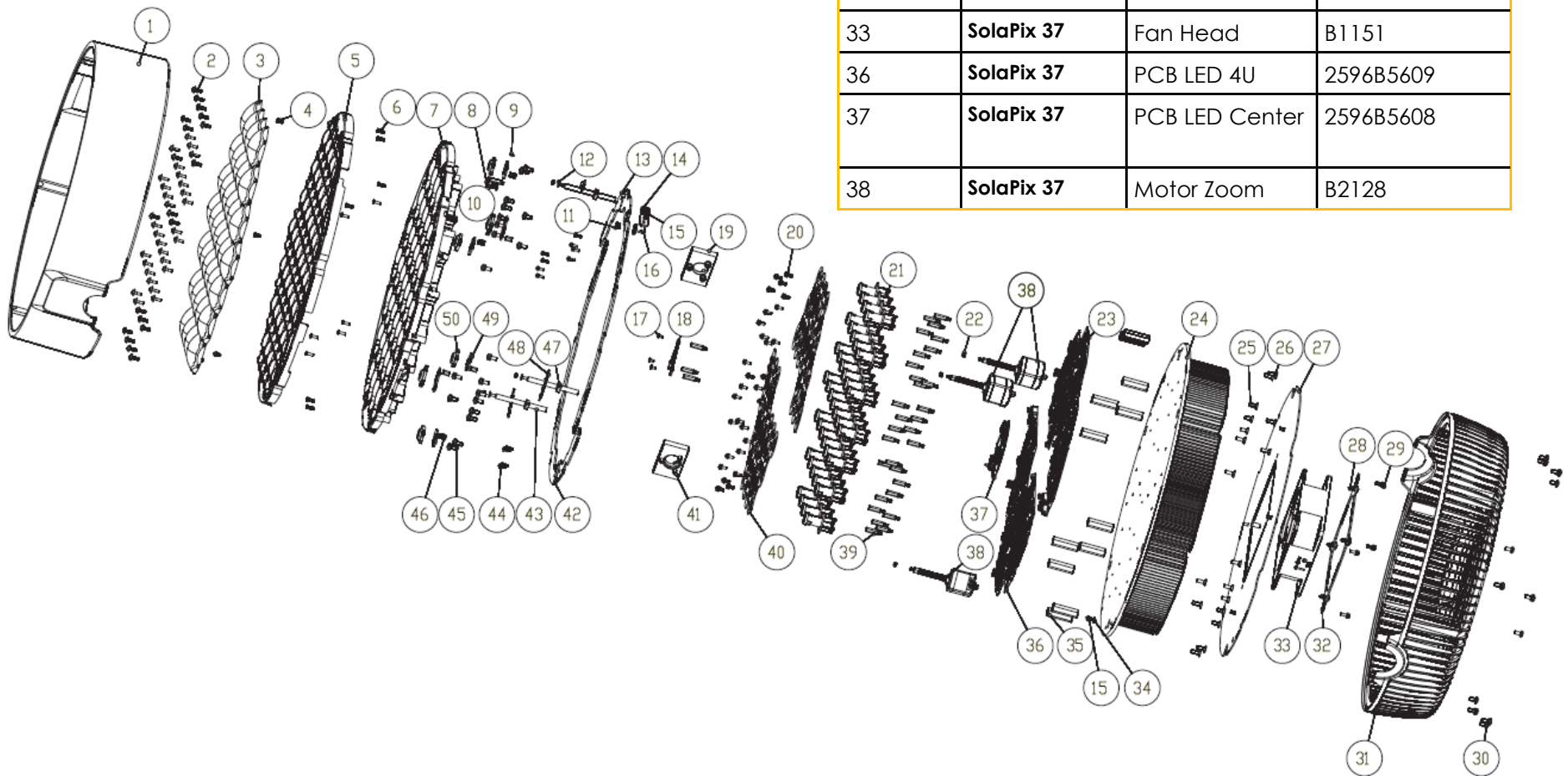
Reference Number	Fixture	HES Description	HES Part Number
3	SolaPix 37	PCB Pan/Tilt 2U	2596B5607



[Main Page](#)

Please contact HES service for any part numbers that are not listed





Reference Number	Fixture	HES Description	HES Part Number
1	SolaPix 37	Cover Head	2596A4014
3	SolaPix 37	Lens Coated	2594A4003
14	SolaPix 37	Sensor Zoom	2596B5604
23	SolaPix 37	PCB LED 3U	2596B5610
31	SolaPix 37	Cover Head	2596A4011
33	SolaPix 37	Fan Head	B1151
36	SolaPix 37	PCB LED 4U	2596B5609
37	SolaPix 37	PCB LED Center	2596B5608
38	SolaPix 37	Motor Zoom	B2128



## SolaPix 37 PCB Identifiers

PCB Software ID	Controls
1U	Display
2U	Pan, Tilt
3U01, 3U02, 3U03, 3U04, 3U05, 3U06	Dimmers
4U01, 4U02, 4U03, 4U04, 4U05, 4U06	Dimmers
5U	Dimmer, Zoom